

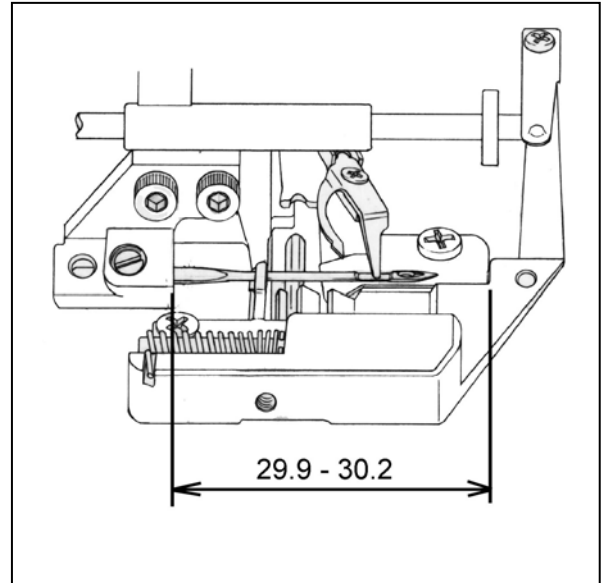
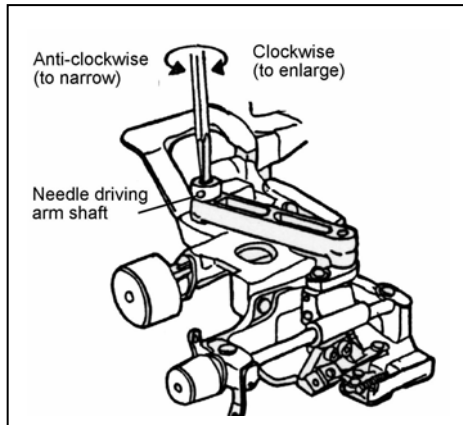
SERVICE MANUAL

Model **BL-101**

baby lock[®]

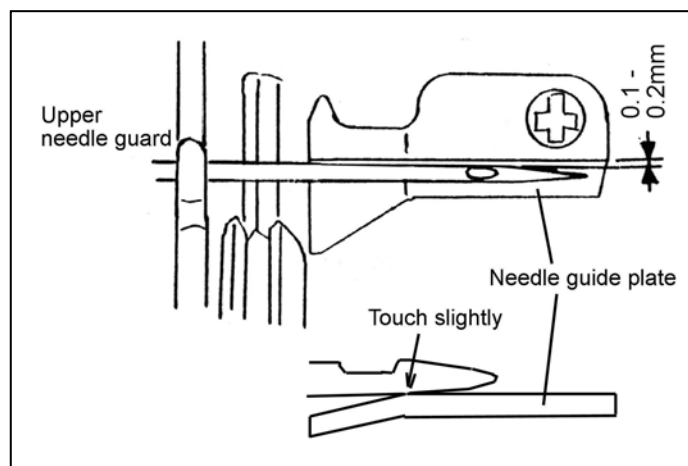
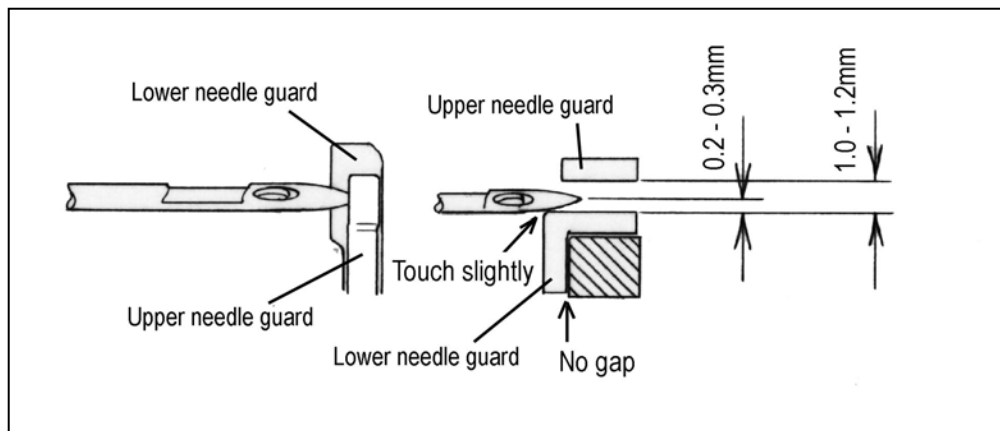
1. Position of needle

- Set needle holder to extreme right position.
- Adjust the distance of needle holder

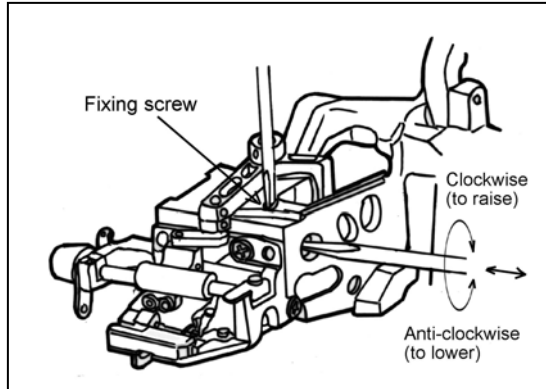


2. Adjustment of needle guards and needle guide plate

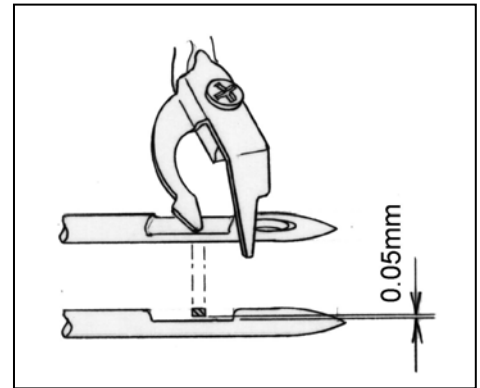
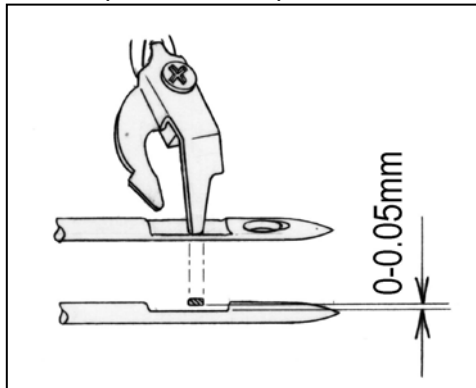
Set needle slightly right-down ward in order to make its penetration stronger.



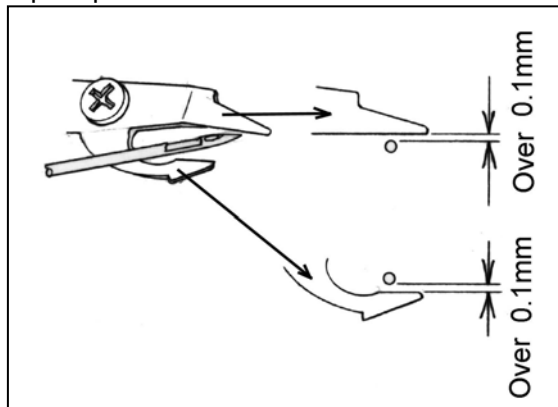
3. Adjustment of looper position



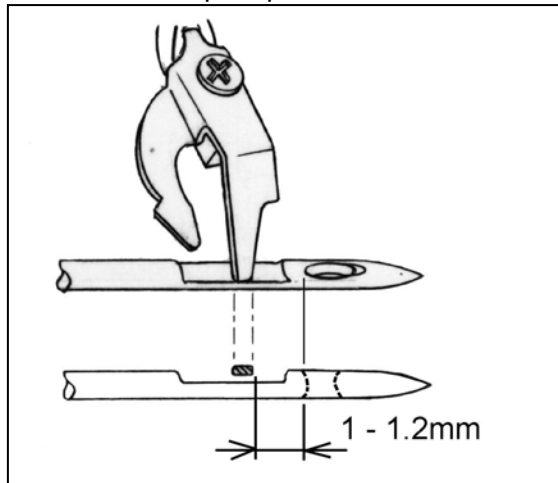
3-1 Adjustment of top and bottom position



3-2 Clearance between the looper tip and the needle

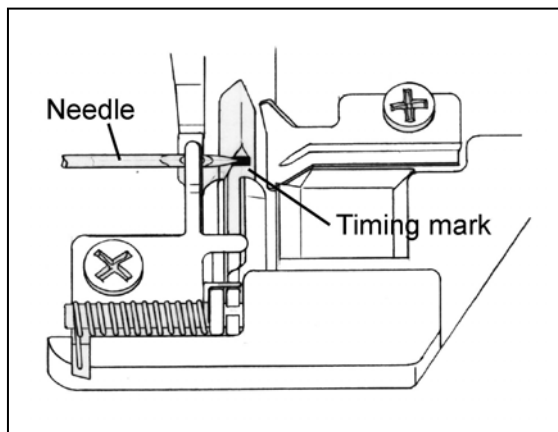


3-3 Distance from the eye of needle to the looper tip



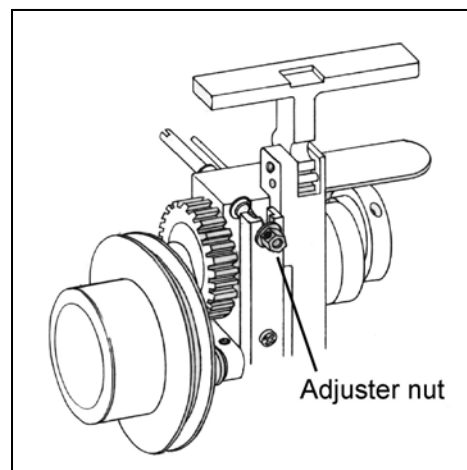
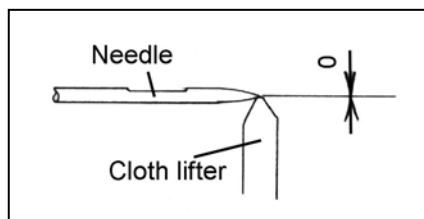
4. Adjustment of timing of cloth lifter

Set skip-stitch dial at “skip” position when you adjust the timing.



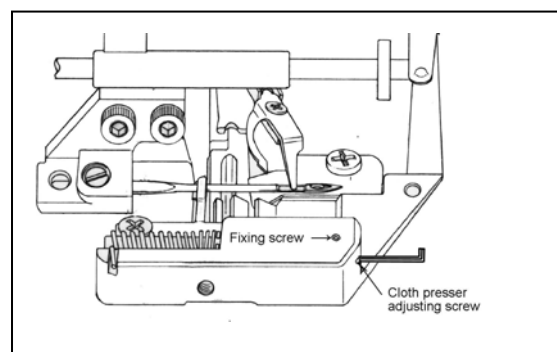
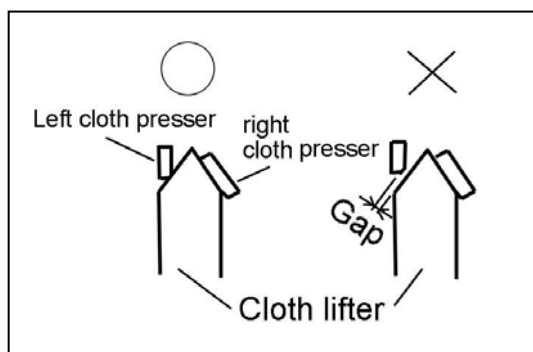
6. Adjustment of the height of cloth lifter

Set stitch-depth dial at 3. (centre.)



7. Adjustment of cloth presser

Make sure both left and right cloth pressers to hold the cloth lifter.



(No 005226 ~)