

***SERVICE MANUAL***  
***&***  
***PARTS LIST***

**BL30A**

# INDEX

|  |    |
|--|----|
| Service Access (1) Face plate .....                                      | 1  |
| Service Access (2) Base cover .....                                      | 2  |
| Service Access (3) Front cover .....                                     | 3  |
| Service Access (4) Rear cover .....                                      | 4  |
| Adjusting Thread Tension .....   | 5  |
| Adjusting Presser Foot Height and Alignment .....                        | 6  |
| Adjusting Needle Swing .....   | 7  |
| Adjusting Needle Drop Position.....                                      | 8  |
| Adjusting Needle to Hook Timing .....                                    | 9  |
| Adjusting Needle Bar Height .....  | 10 |
| Adjusting Clearance between Needle and Hook Point.....                   | 11 |
| Adjusting Backlash between Hook Drive Gear and<br>Lower Shaft Gear ..... | 12 |
| Adjusting Feed Dog Height .....  | 13 |
| Adjusting Feed Balance .....   | 14 |
| Adjusting Buttonhole Feed Balance .....                                  | 15 |
| Adjusting Buttonhole Zero Feed.....                                      | 16 |
| Adjusting Buttonhole Functions.....                                      | 17 |
| Replacing Motor and Adjusting Motor Belt Tension.....                    | 18 |
| Replacing and Adjusting Threader .....                                   | 19 |
| PARTS LIST .....   | 20 |

## Service Access (1)

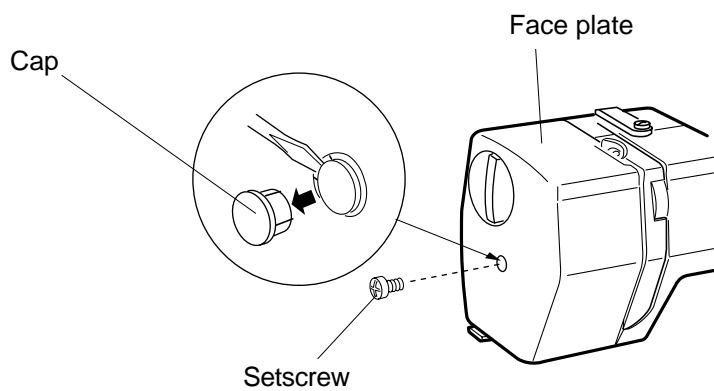
- Face plate

<To remove>

Remove the cap and setscrew. Remove the face plate.

<To attach>

Attach the face plate with the setscrew. attach the cap.



## Service Access (2)

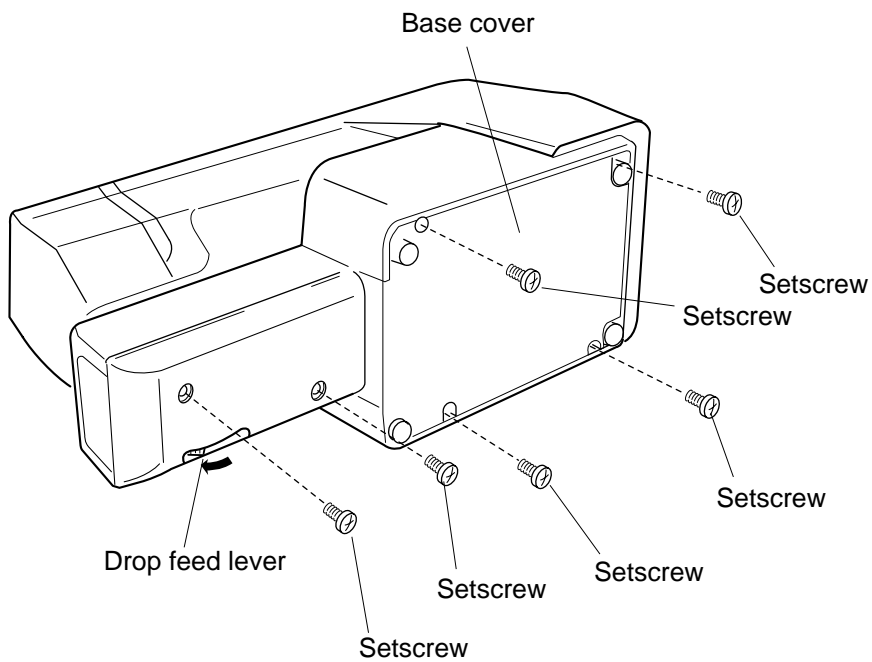
- Base cover

<To remove>

Remove the setscrews (6 pcs.) and remove the base cover.

<To attach>

Shift the drop feed lever in the direction of the arrow. Attach the base cover with setscrews.



## Service Access (3)

- Front cover

<To remove>

Remove the face plate and base cover (see pages 1 and 2).

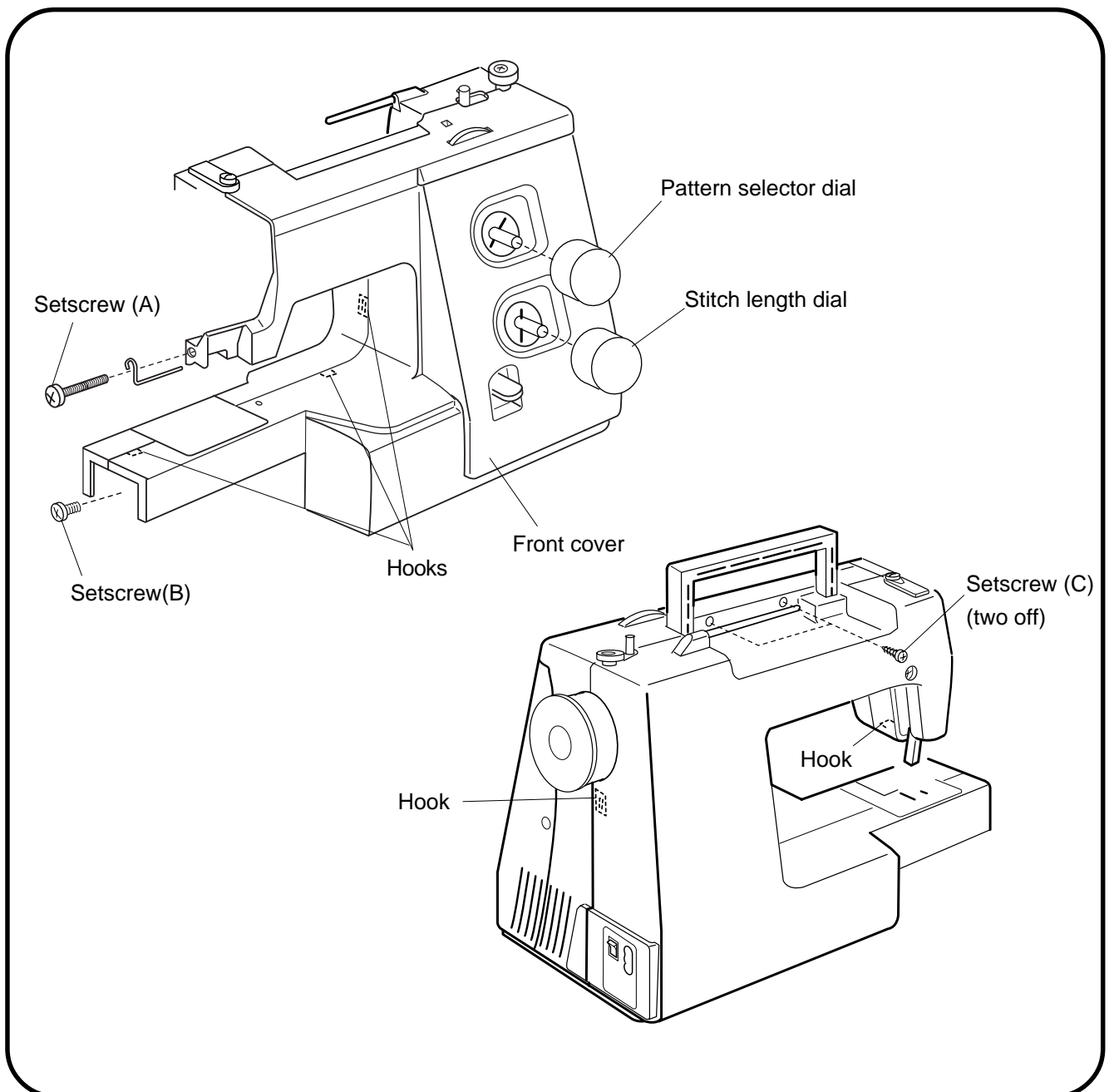
Pull out the pattern selector dial and stitch length dial.

Remove the setscrews (A), (B) and (C) (two off).

Remove the front cover, unlocking all the hooks.

<To attach>

Follow the above procedure in reverse.



## Service Access (4)

- Rear cover

<To remove>

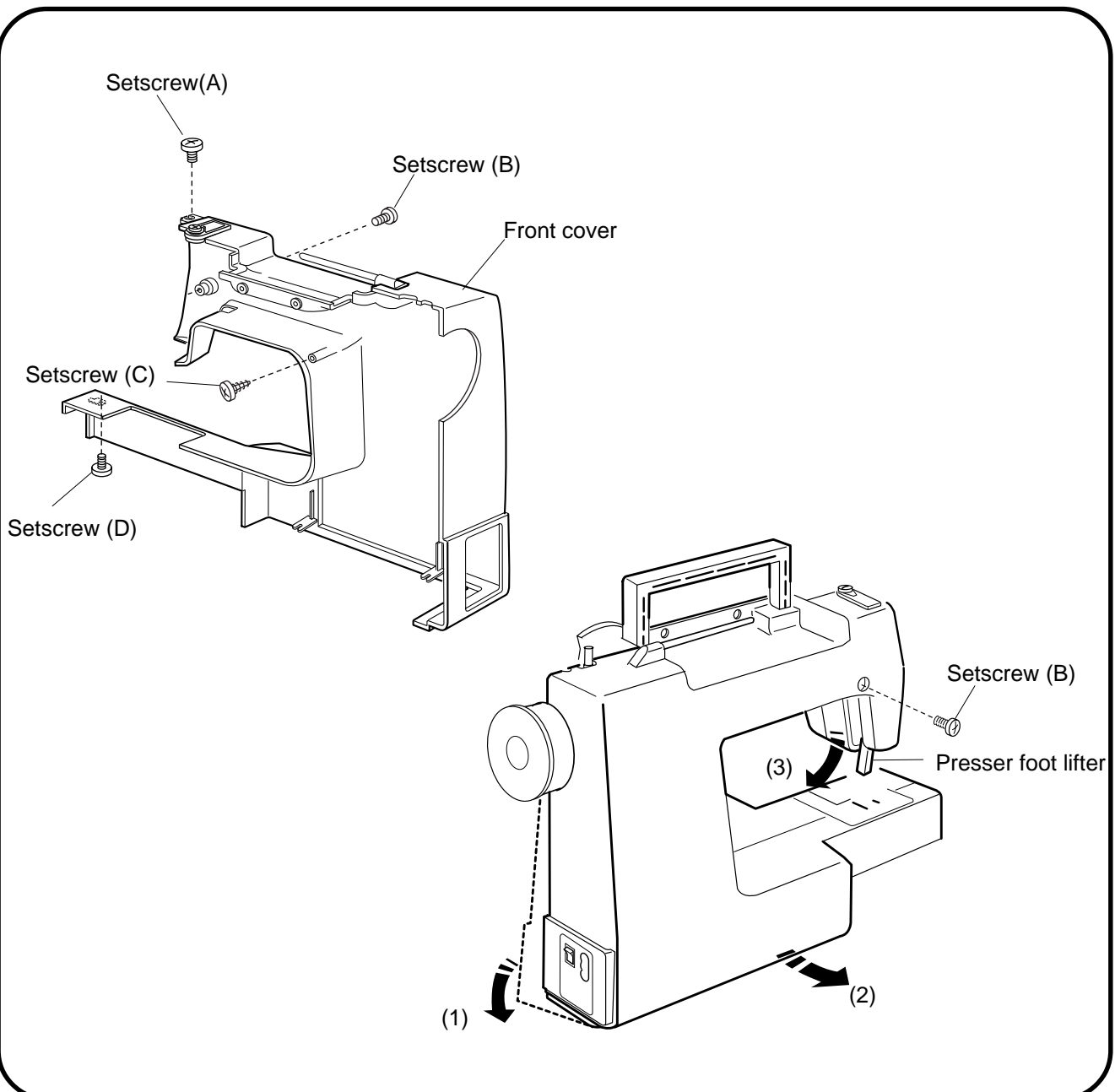
Remove the face plate, base cover and front cover (see pages 1-3).

Remove the setscrews (A), (B), (C) and (D).

Lower the presser foot lifter and pull away the rear cover from the machine, clearing the parts (1), (2) and (3), in this order.

<To attach>

Follow the above procedure in reverse.



## Adjusting Thread Tension

- The standard tension should be 75 - 90 grams measured with a white polyester thread #50 being pulled in the direction of the arrow, when the tension dial is set at "4".

<To adjust>

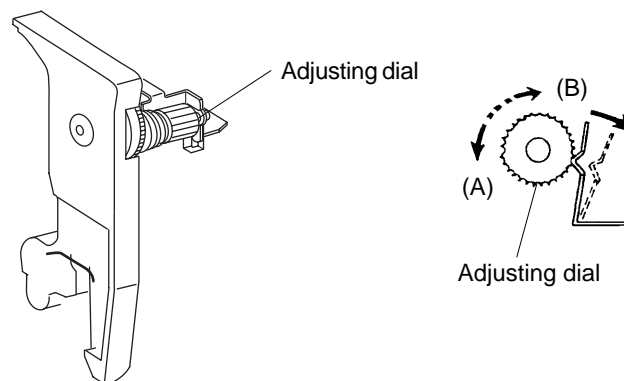
Remove the front cover (see page 3).

Set the tension dial at "4".

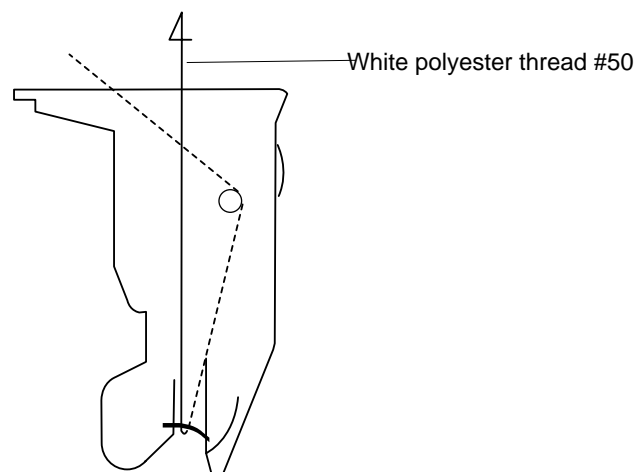
If the tension is too tight, turn the adjusting dial in the direction (A).

If the tension is too loose, turn the adjusting dial in the direction (B).

Check the tension again and attach the front cover.



Pull the thread in this direction at approx.  
110 mm per second.



## Adjusting Presser Foot Height and Alignment

- The distance between the bottom of the presser foot in up position and the needle plate should be 6.0 mm.

<To adjust>

Remove the face plate and needle.

Lower the feed dog below the needle plate. Place a block 6 mm thick under the presser foot and lower the presser foot lifter.

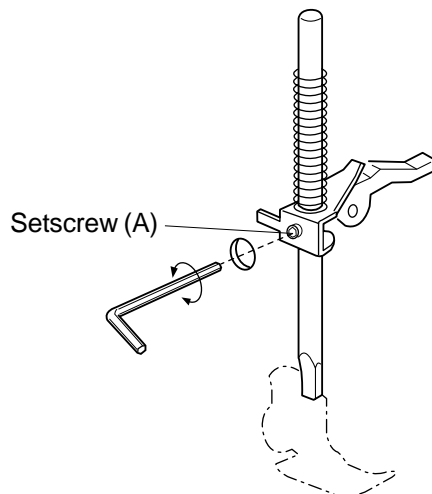
Loosen the setscrew (A). Raise the presser foot lifter and tighten the setscrew (A) firmly.

Attach the needle and face plate.

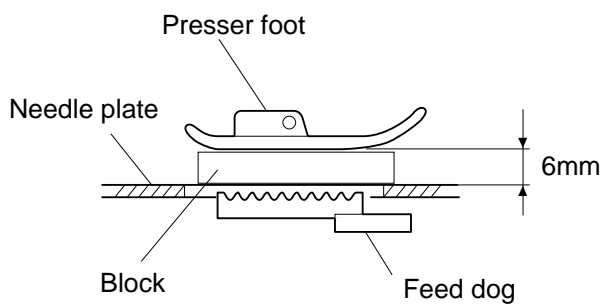
Attach the face plate.

NOTE:

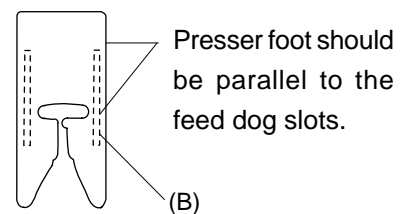
Make sure that the presser foot should be parallel to the feed dog slots (B) in the needle plate.



### Presser foot height



### Presser foot alignment



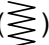


## Adjusting Needle Swing

- If the needle swing when it is still in the fabric, correct it as follows.

<To adjust>

Remove the front cover (see page 3).

Select the zigzag stitch (  ) and set the stitch width dial at 5.0.

Loosen the setscrews on the worm.

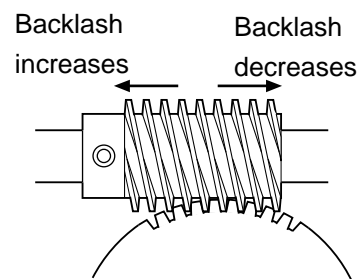
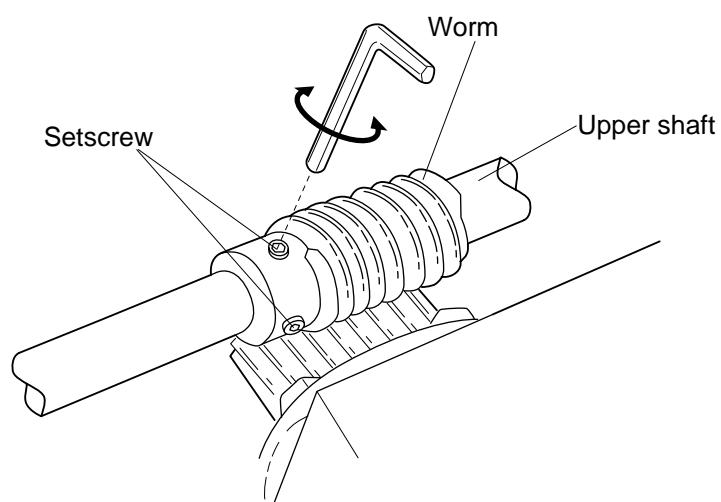
While holding the worm as not to rotate, turn the handwheel to adjust the needle bar swing so that the needle starts to swing 2 - 3 mm above the needle plate in the right outflow.

Tighten the setscrews on the worm securely.

Attach the front cover.

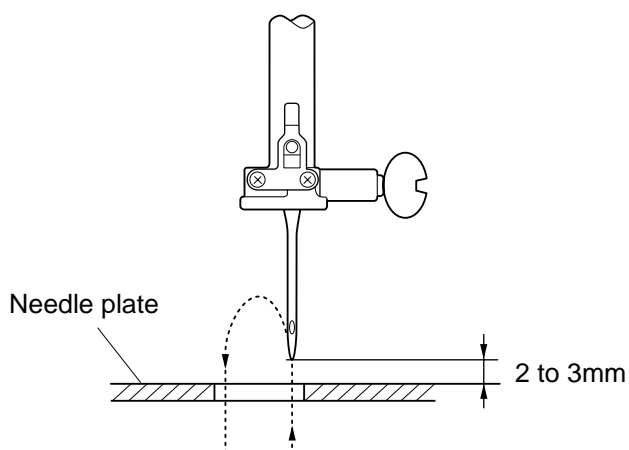
Note:

The upper shaft should turn smoothly without an excessive backlash between the worm and gear.




Note:

Make sure the worm does not move sideways when turning the handwheel, otherwise the backlash will change.




## Adjusting Needle Drop Position

- The clearance between the needle and side edges of the needle hole should be 0.2 mm or more when the maximum width zigzag stitch (  ) is selected. And the needle should drop in the center of the needle hole when the straight stitch is selected.

<To adjust>

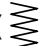
Remove the face plate (see page 1).

Select the straight stitch (  ).

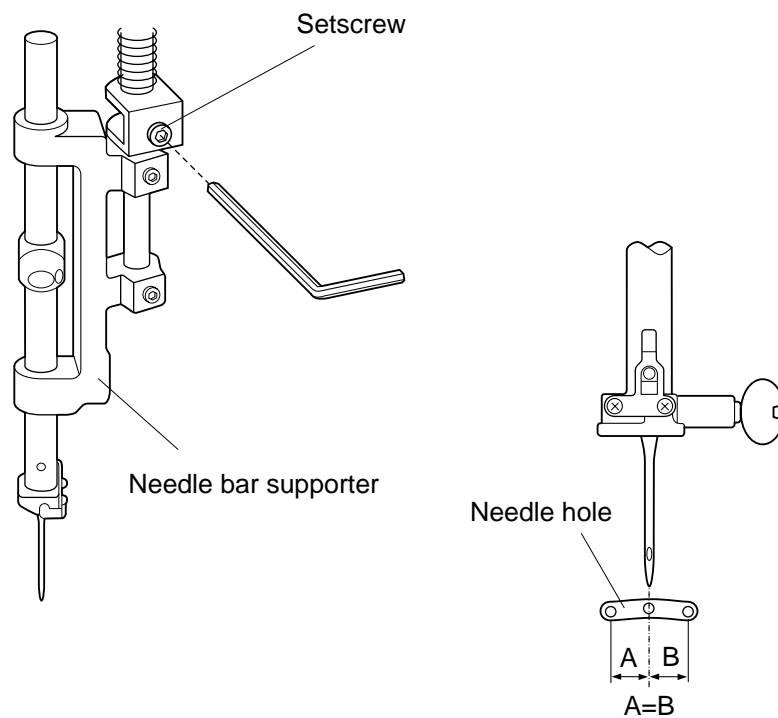
Loosen the setscrew.

Move the needle bar supporter so that the needle drops in the center of the needle hole.


Tighten the setscrew.

Select the zigzag stitch (  ) and set the stitch width dial at 5.0 to check the clearance between needle and side edges of the needle hole.


Attach the face plate.



## Adjusting Needle to Hook Timing

- The amount of ascending travel of the needle in the maximum width zigzag stitch (  ) from the right lowest position should be 1.4 to 2.0 mm where the hook point meets the right side of the needle.

<To adjust>

Select the maximum width zigzag stitch (  ).

Remove the base cover (see page 2).

Remove the needle plate and bobbin holder.

Loosen the setscrews on the lower shaft gear.

Turn the handwheel toward you to bring the needle to the right lowest position. Then raise the needle 1.7mm from the lowest position.

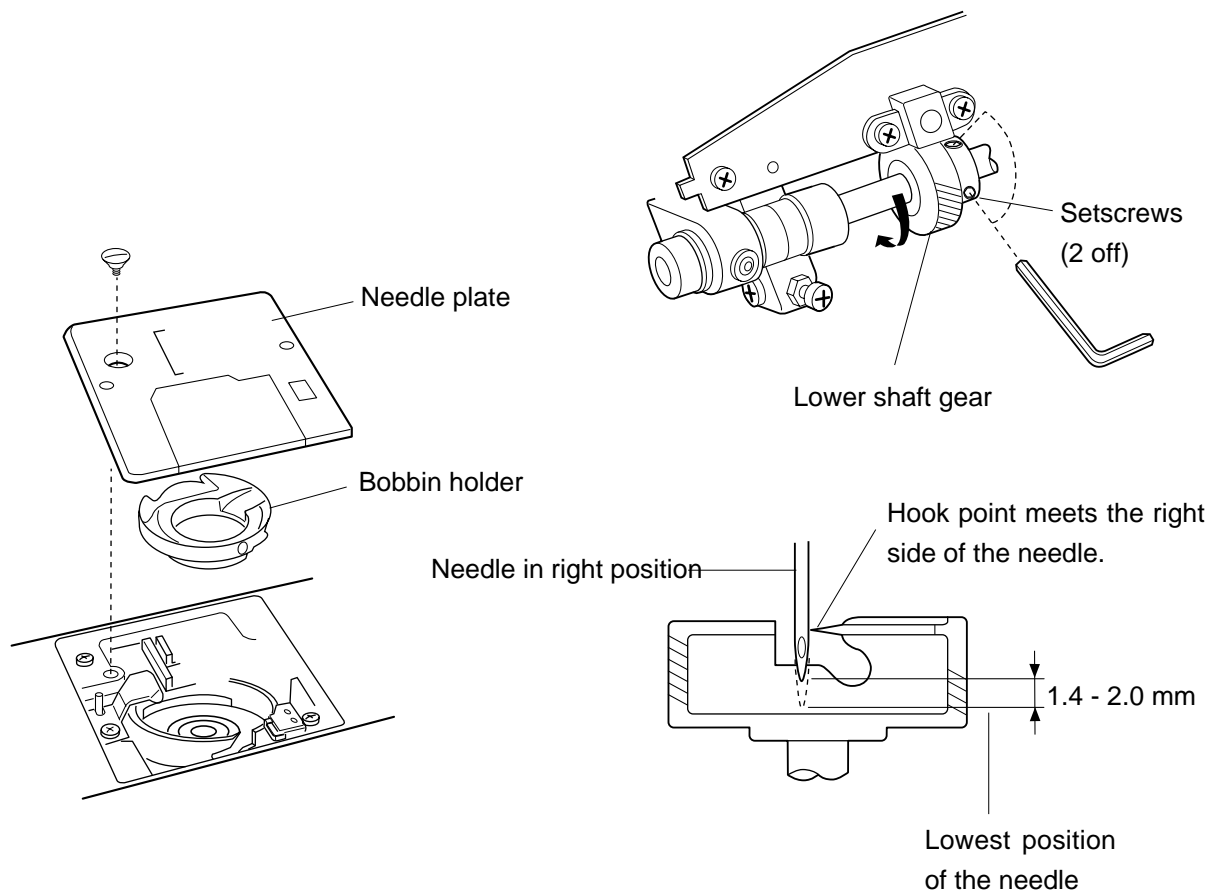
While holding the handwheel as not to move the needle bar, rotate the hook race until the hook point meets the right side of the needle.

Tighten the setscrews.


Attach the bobbin holder and needle plate.

Attach the base cover.


Note: Before performing this adjustment, be sure to check the needle bar height.



## Adjusting Needle Bar Height

- The standard distance between the upper edge of the needle eye and the upper surface of the hook race should be in the range of 3.0 - 3.3 mm when the hook point meets the right side of the needle in its ascending travel from the right lowest position of the maximum width zigzag stitch (  ).

<To adjust>

Select the maximum width zigzag stitch (  ) and bring the needle to the right lowest position.

Remove the face plate (see page 1).

Remove the needle plate and bobbin holder.

Turn the handwheel toward you until the hook point meets the right side of the needle.

Loosen the setscrew and move the needle bar up or down to adjust the needle bar height.

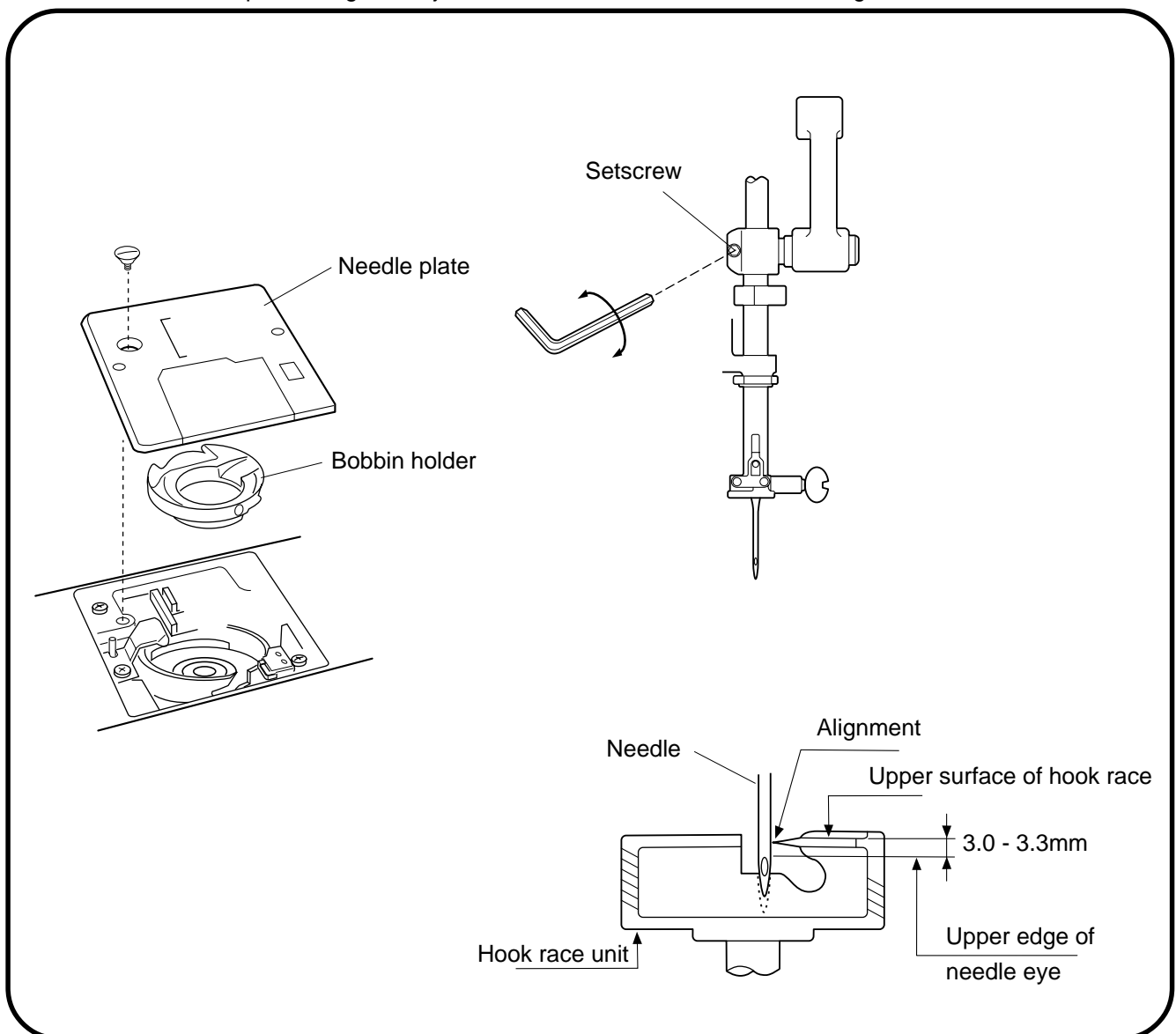
Note: Be careful not to rotate the needle bar.

Tighten the setscrew.

Attach the bobbin holder, needle plate and face plate.

Note:

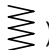
Before performing this adjustment, check the needle to hook timing.



## Adjusting Clearance between Needle and Hook Point

- The standard clearance between the needle and hook point should be -0.10 to +0.05 mm.

<To adjust>

Select the maximum width zigzag stitch (  ).

Remove the base cover (see page 2). Remove the needle plate and bobbin holder.

Replace the needle with the test pin. Loosen the setscrews (B) and (C). Slightly loosen the setscrew (A).

Turn the handwheel toward you to bring the hook point behind the test pin.

Adjust the clearance to -0.1 to +0.05 mm by moving the hook base plate up or down.

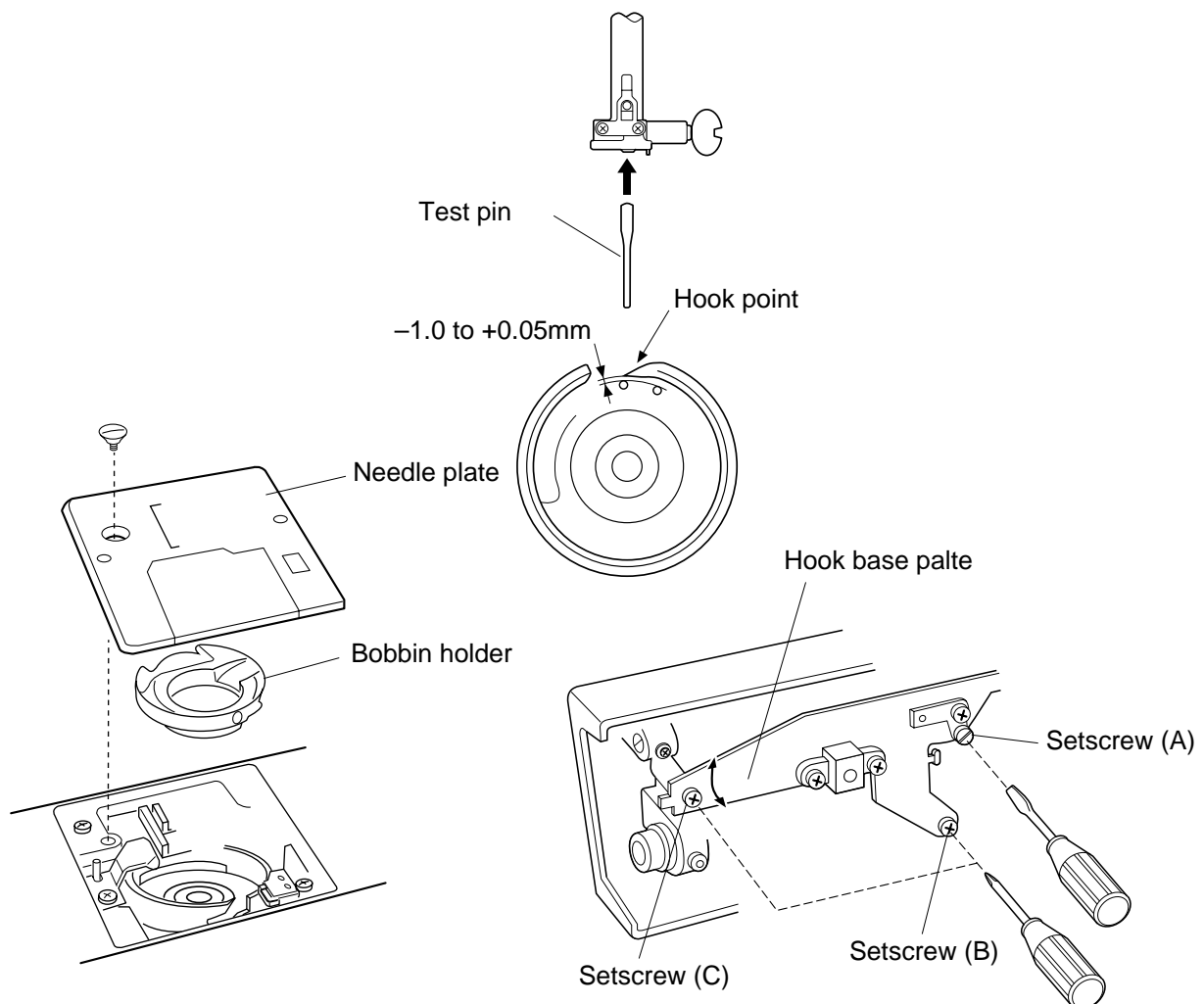
Tighten the setscrews (A), (B) and (C) securely.

Check the backlash of the hook drive gear and lower shaft gear.

Note: Adjust the backlash if necessary (see page 12).

Attach the base cover.

Replace the test pin with the needle. Attach the bobbin holder and needle plate.



## Adjusting Backlash between Hook Drive Gear and Lower Shaft Gear

- The rotary play should be 0.8 mm or less when the hook point is within the span of the feed dog, and the gears should turn smoothly.

<To adjust>

Remove the base cover (see page 2).

Loosen the setscrews.

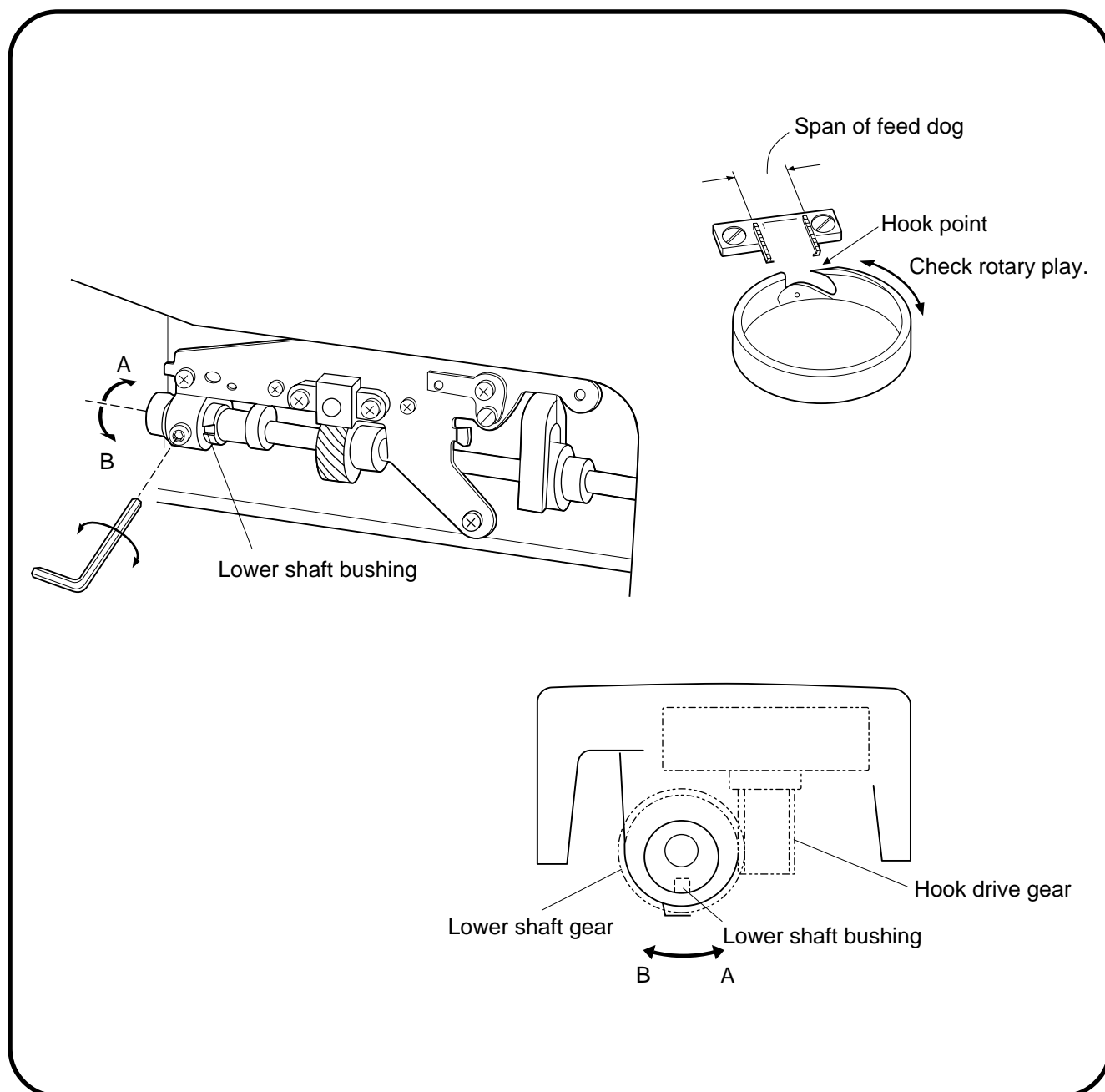
If the backlash is too big, turn the lower shaft bushing in the direction (B).

If the gear engagement is too tight, turn the lower shaft bushing in the direction (A).

Tighten the setscrews and attach the base cover.

Note:

Be sure to check and adjust the needle to hook timing and feed dog height if necessary, after performing this adjustment.



## Adjusting Feed Dog Height

- The distance between the lowered presser foot and needle plate should be 0.75 to 0.85 mm when the feed dog is in its highest position.

<To adjust>

Select the straight stitch (  $\oplus$  ) and set the stitch width at "4".

Lower the presser foot. Turn the handwheel to bring the feed dog to its highest position.

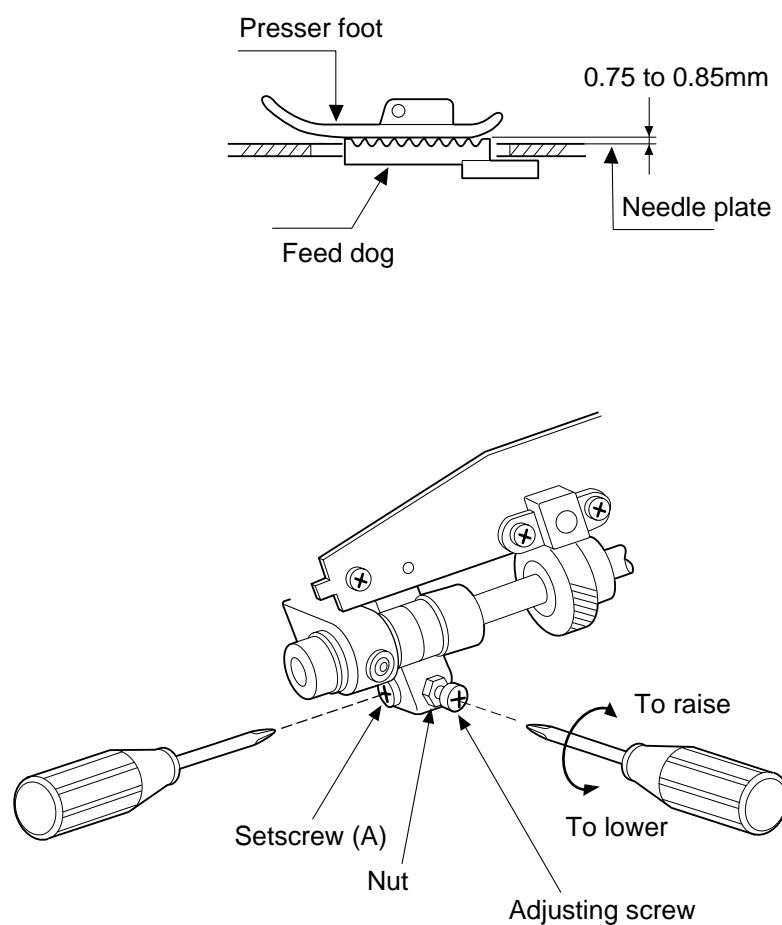
Remove the base cover (see page 2).

Loosen the setscrew (A) and nut.

Turn the adjusting screw to set the feed dog height to 0.75 to 0.85 mm.

Tighten the nut and setscrew (A).


Attach the base cover.



## Adjusting Feed Balance

The forward feeding (A) and backward feeding (B) should be equal when sewing stretch stitch pattern.

<To adjust>

Select the straight stretch stitch (  ).

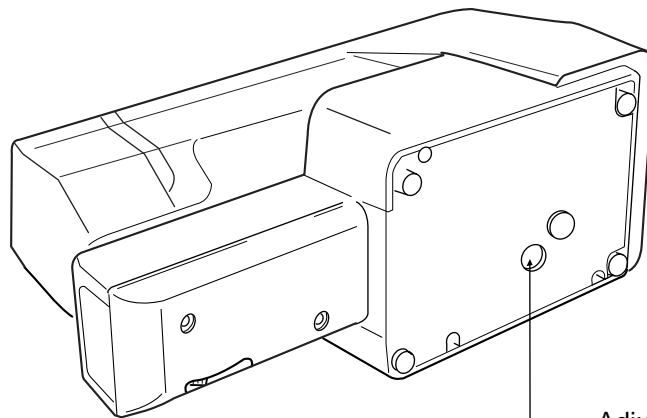
Place a piece of paper under the foot. Turn the handwheel to check the needle marks.

Remove the cap to access the adjusting screw.

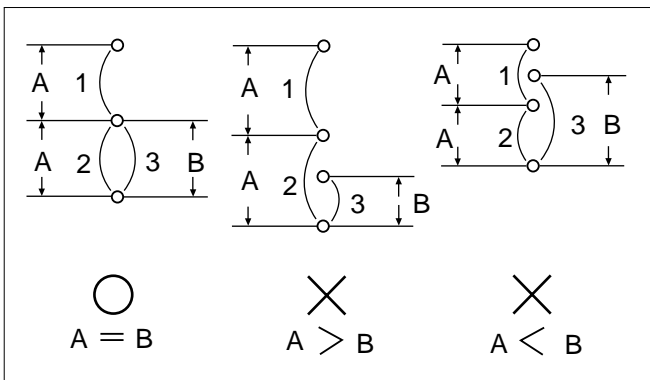
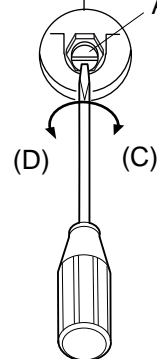
If the forward feeding (A) is longer than backward feeding (B), turn the adjusting screw in the direction (C).

If the forward feeding (A) is shorter than backward feeding (B), turn the adjusting screw in the direction (D).

Attach the cap.



Adjusting screw





## Adjusting Buttonhole Feed Balance

- When sewing a buttonhole, the stitches on each side of the buttonhole should be the same density.

The range of 9 to 12 stitches in the right side row against 10 stitches in the left side row is considered acceptable.

<To adjust>

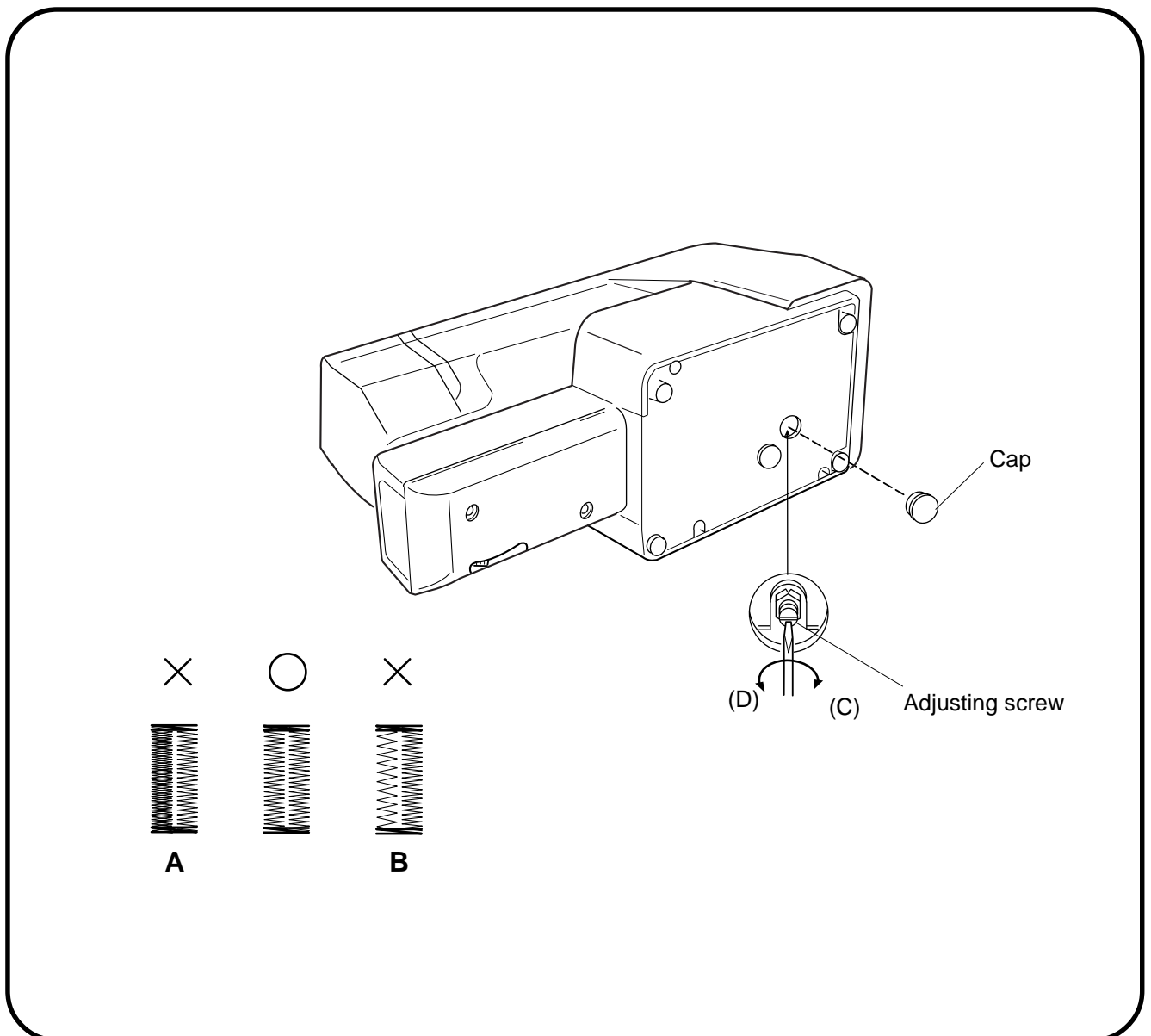
Sew a test buttonhole and count the stitches on each side.

Remove the cap to access the adjusting screw.

If the left row is denser (A), turn the adjusting screw in the direction (C).

If the right row is denser (B), turn the adjusting screw in the direction (D).

Attach the cap.



## Adjusting Buttonhole Zero Feed

- If the fabric is fed when sewing a bartack of the buttonhole, correct it as follows:

<To adjust>

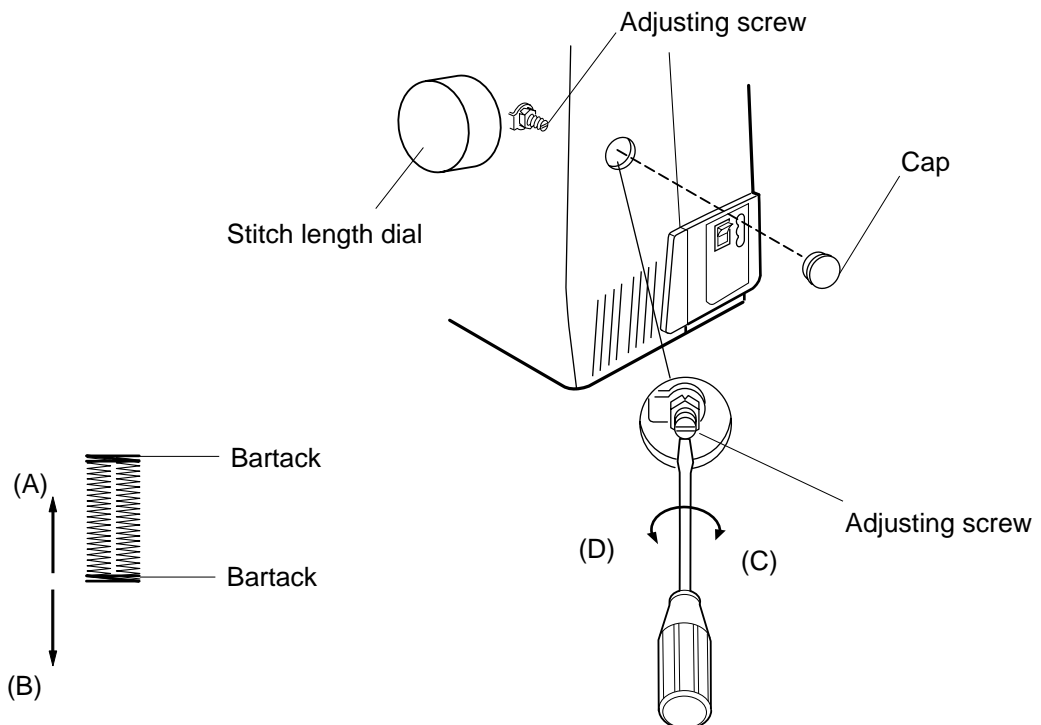
Sew a test buttonhole to check if the fabric is fed while sewing the bartacks.

Remove the cap to access the adjusting screw.

If the fabric is fed forward (A), turn the adjusting screw in the direction (C).

If the fabric is fed backward (B), turn the adjusting screw in the direction (D).

Attach the cap.



## Adjusting Buttonhole Function

<To check>

Buttonhole should be about 3mm longer than the length set by the R foot.

if this length cannot be obtained, then check and adjust as follows:

<To adjust>

Lower the feed dog and set the R foot.

Remove the face plate. Loosen the setscrew (A).

Lower the buttonhole lever to its lowest position and press it against the R foot.

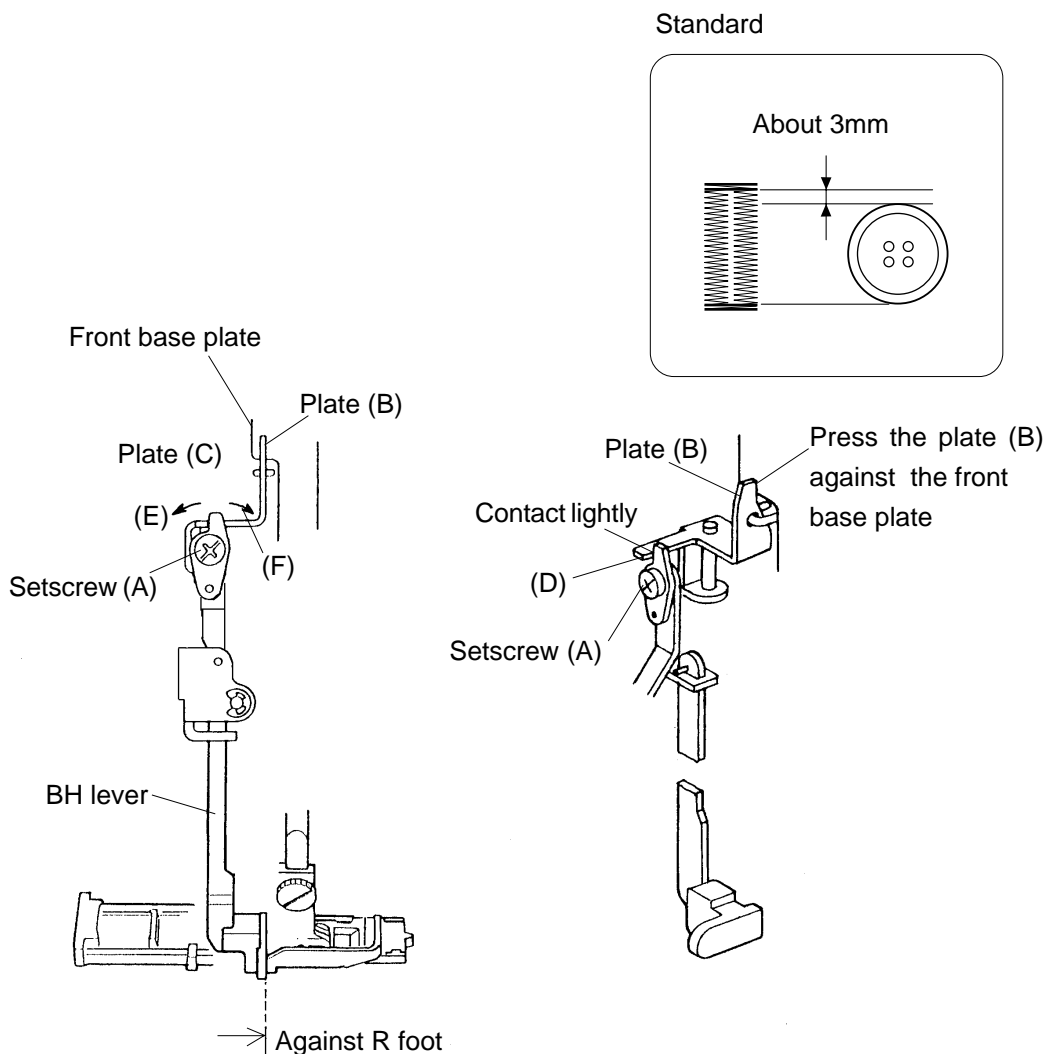
Press the plate (B) against the front base plate lightly. Move the plate (C) so that it contacts with the plate (D) and tighten the setscrew (A).

Raise the feed dog and sew a test buttonhole to check the length.

Move the plate (C) in the direction of (E) if the buttonhole stitch length is longer than the standard, or in the direction of (F) if the buttonhole stitch length is shorter than the standard.

Tighten the setscrew (A).

Attach the face plate.



## Replacing Motor and Adjusting Motor Belt Tension

<To replace the motor>

Remove the face plate, base cover, front cover and rear cover (see pages 1 to 4).

Remove the setscrews (A) and machine socket. Remove the setscrews (B) and machine socket lid.

Remove the nuts and disconnect the motor cords.

Remove the setscrews (C) and motor.

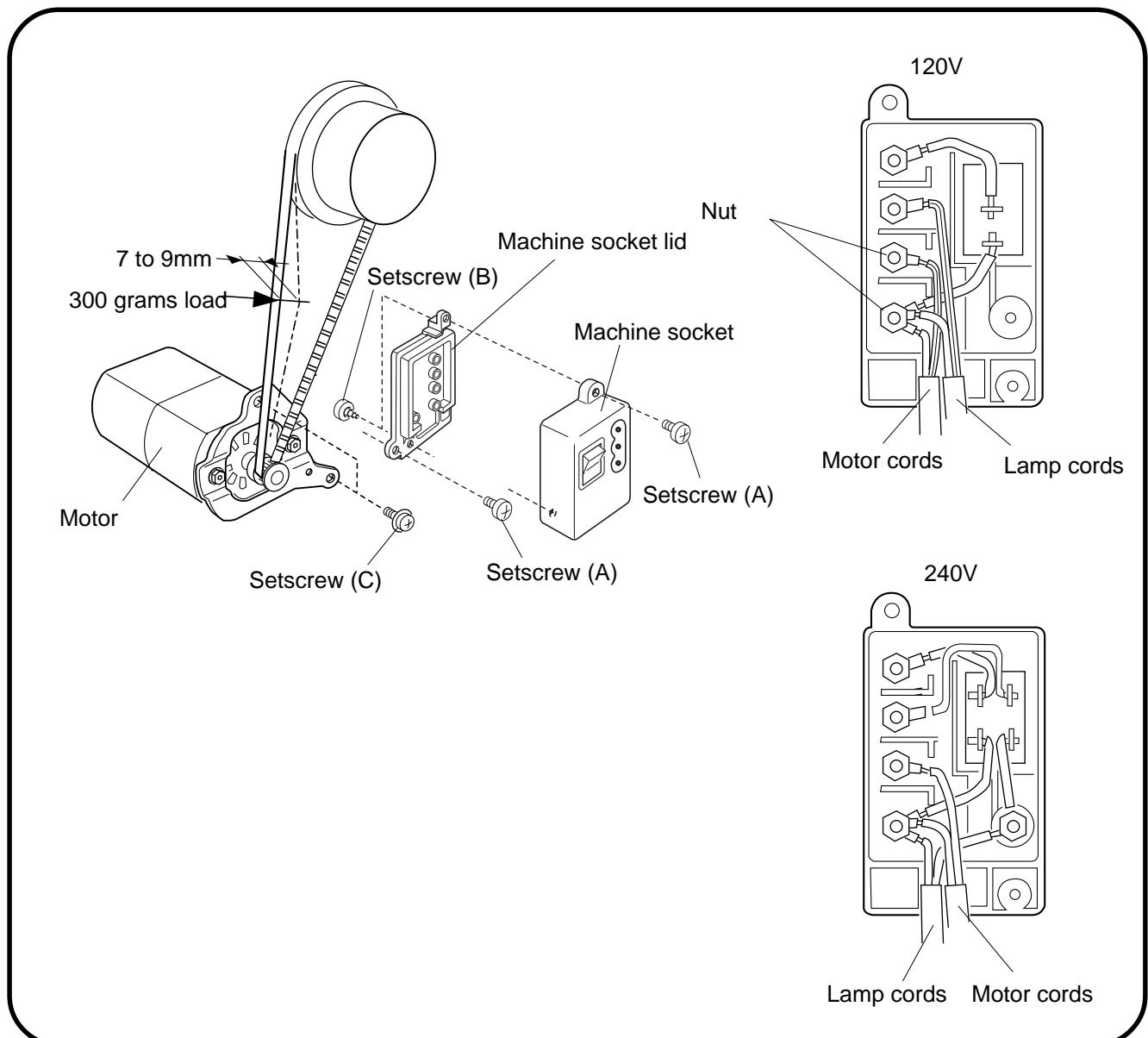
To attach the motor, follow the above procedure in reverse.

<To adjust the motor belt tension>

Slightly loosen the setscrews (C).

While pushing the middle of the motor belt with a 300 grams load, move the motor up or down so that the belt deflects 7 to 9 mm.

Tighten the setscrews (C) securely.



## Replacing and Adjusting Threader

<To replace>

Remove the face plate (see page 1).

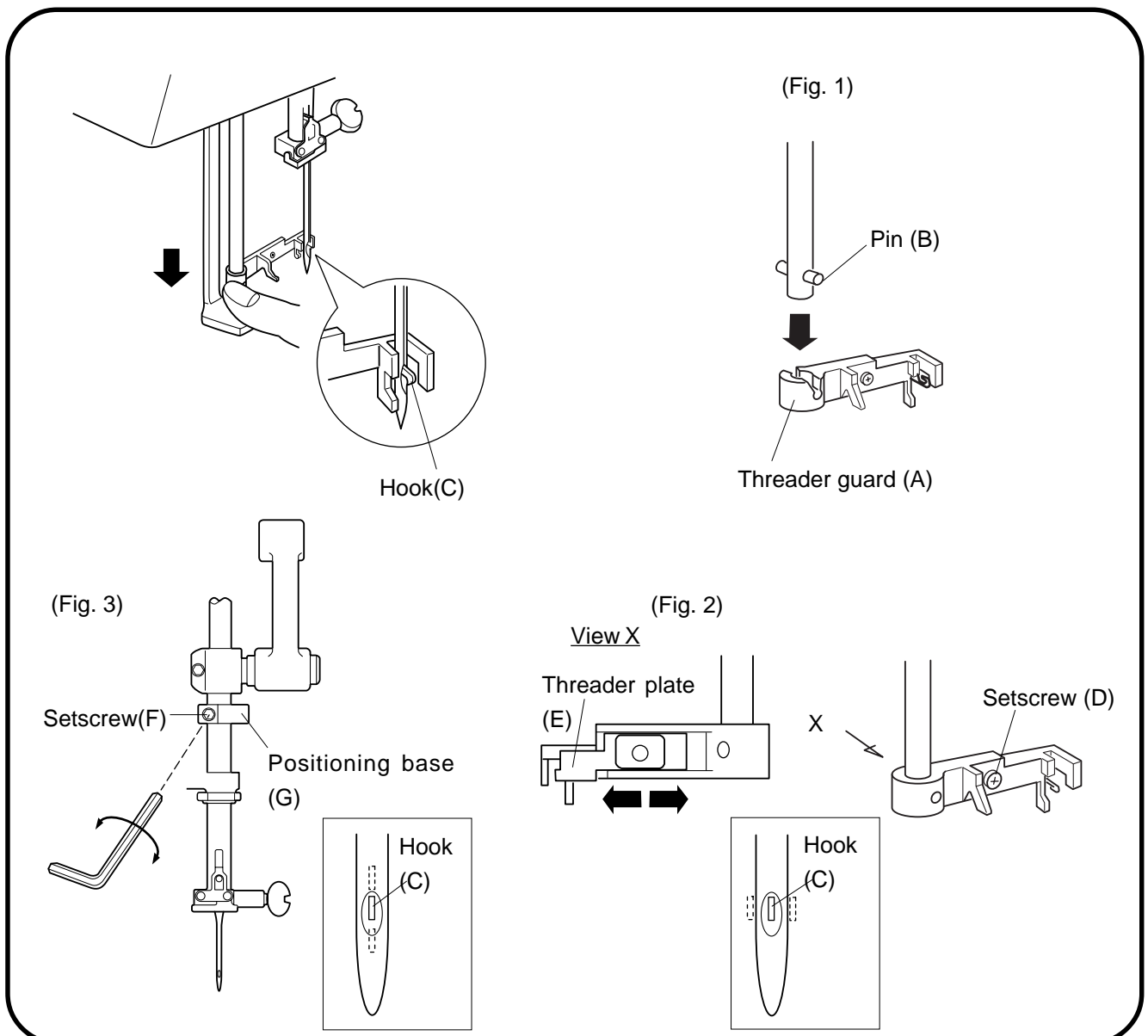
Pull the threader guard away from the threader.

Align the groove on the threader guide with the pin on the threader shaft and push the threader guide up to snap it in place. (see Fig. 1).

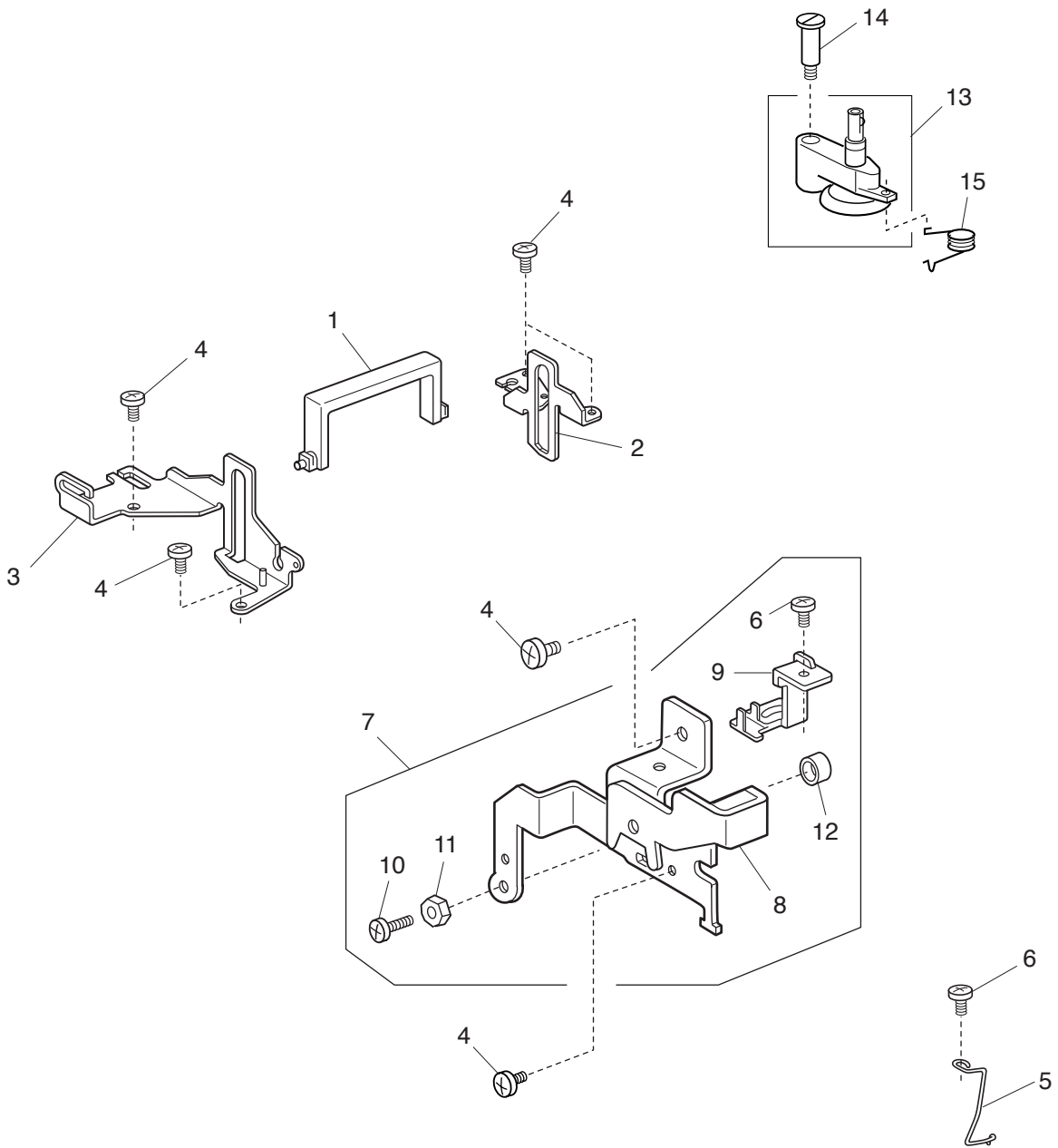
<To adjust>

If the hook (C) of the threader thrust or hit against the side edge of the needle eye, loosen the setscrew (D) and adjust the lateral position of the threader palte (see Fig. 2).

If the hook (C) thrust against upper or lower edge of the needle eye, remove the face plate and loosen the setscrew (F) and move the positioning base (G) up or down so that the hook enters through the needle eye (see Fig. 3).



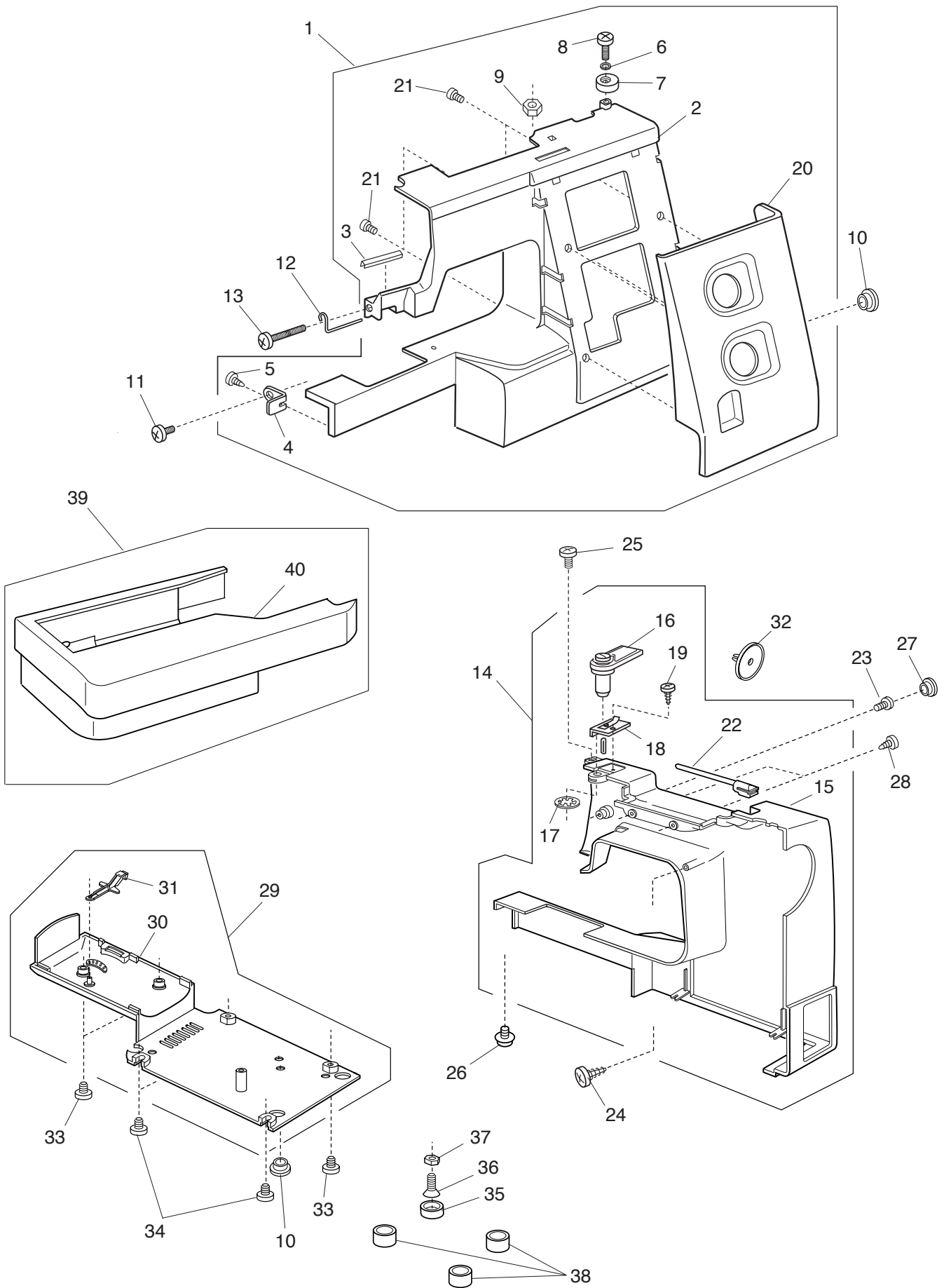
# PARTS LIST



# PARTS LIST

| KEY<br>NO. | PARTS<br>NO. | DESCRIPTION                       |
|------------|--------------|-----------------------------------|
| 1          | 751100000    | Carrying handle                   |
| 2          | 507150002    | Carrying handle supporter (right) |
| 3          | 751077029    | Carrying handle supporter (left)  |
| 4          | 000081005    | Setscrew 4x8                      |
| 5          | 652137006    | Arm thread guide (2)              |
| 6          | 000101404    | Setscrew 4x6                      |
| 7          | 507605007    | Face plateset plate (unit)        |
| 8          | 507006002    | Face plateset plate               |
| 9          | 751020027    | Threader shaft guide (upper)      |
| 10         | 000105419    | Setscrew 4x20                     |
| 11         | 000160102    | Adjustable lock nut 4             |
| 12         | 685042005    | Supporter stopper                 |
| 13         | 652506000    | Bobbin winder (unit)              |
| 14         | 652093009    | Setscrew                          |
| 15         | 659034003    | Spring                            |

# PARTS LIST

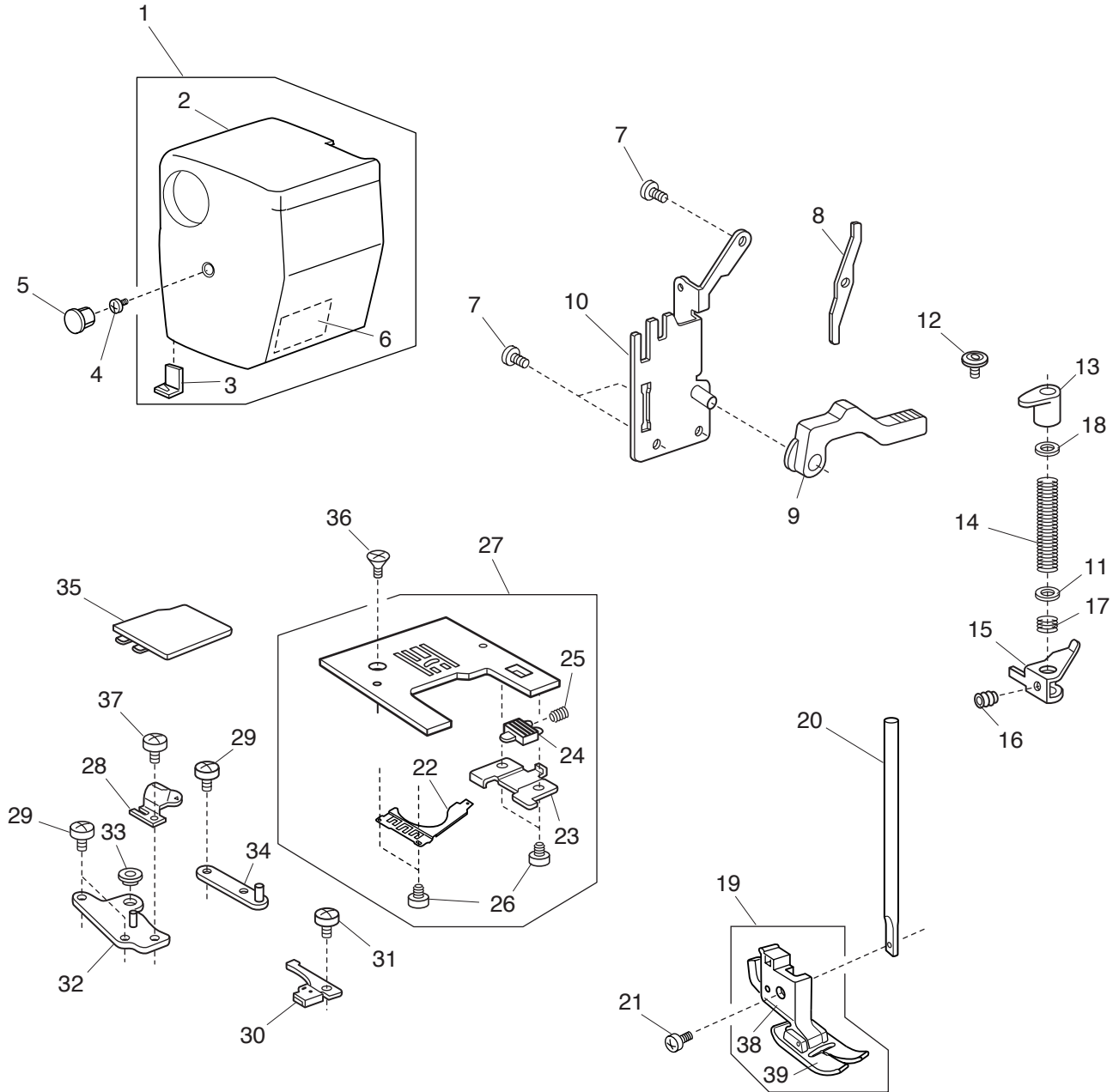




# PARTS LIST

| KEY<br>NO. | PARTS<br>NO. | DESCRIPTION                   |
|------------|--------------|-------------------------------|
| 1          | 507634016    | Front cover (unit)            |
| 2          | 507110804    | Front cover                   |
| 3          | 753125007    | Thread guide                  |
| 4          | 827069004    | Front cover set plate (lower) |
| 5          | 000120203    | Setscrew 3x8                  |
| 6          | 000071013    | Washer 4                      |
| 7          | 735016307    | Bobbin winder stopper         |
| 8          | 000103107    | Setscrew 4x14                 |
| 9          | 000061205    | Nut                           |
| 10         | 745033002    | Cap                           |
| 11         | 000101404    | Setscrew 4x6                  |
| 12         | 753126008    | Arm thread guide              |
| 13         | 000092917    | Setscrew 3.5x27               |
| 14         | 507631013    | Rear cover (unit)             |
| 15         | 507102205    | Rear cover                    |
| 16         | 650503702    | Thread guide (unit)           |
| 17         | 000014409    | Snap ring CS8                 |
| 18         | 827503005    | Top cover thread guide (unit) |
| 19         | 000162001    | Setscrew 2.6x5B               |
| 20         | 507111263    | Ornamental panel              |
| 21         | 000161402    | Setscrew 2.3x8B               |
| 22         | 659067005    | Additional spool pin          |
| 23         | 000101817    | Setscrew 4x16                 |
| 24         | 000121905    | Setscrew 4x12B                |
| 25         | 810220003    | Setscrew                      |
| 26         | 000115205    | Setscrew TP 4x6               |
| 27         | 653006101    | Cap                           |
| 28         | 000161310    | Setscrew 3x12B                |
| 29         | 507601003    | Base cover (unit)             |
| 30         | 507001007    | Base cover                    |
| 31         | 753005000    | Drop feed lever               |
| 32         | 822020503    | Spool holder (large)          |
| 33         | 000101703    | Setscrew 4x12                 |
| 34         | 000103509    | Setscrew 4x10                 |
| 35         | 735002001    | Rubber foot                   |
| 36         | 000097808    | Setscrew 5x25                 |
| 37         | 000061412    | Nut                           |
| 38         | 647009002    | Bed rubber cushion            |
| 39         | 507637008    | Extension table (unit)        |
| 40         | 507503004    | Extension table (unit)        |

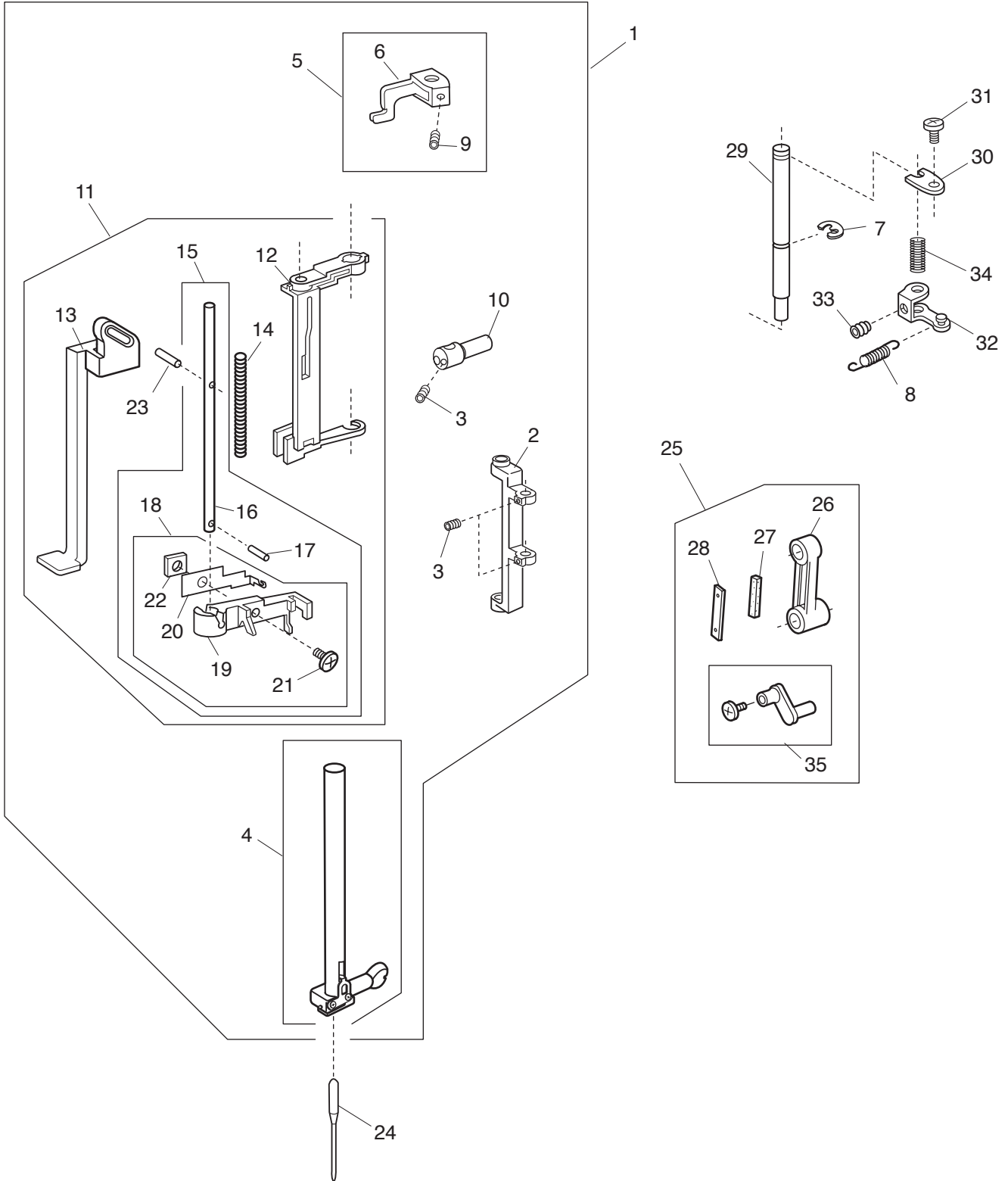
# PARTS LIST



# PARTS LIST

| KEY NO. | PARTS NO. | DESCRIPTION                          |
|---------|-----------|--------------------------------------|
| 1       | 507632162 | Face plate (unit)                    |
| 2       | 507105068 | Face plate                           |
| 3       | 840602006 | Thread cutter (unit)                 |
| 4       | 000101703 | Setscrew 4x12                        |
| 5       | 653006101 | Cap                                  |
| 6       | 724025006 | Reflecting sticker (2)               |
| 7       | 000081005 | Setscrew 4x8                         |
| 8       | 751142004 | Thread tension release lever         |
| 9       | 735029004 | Presser foot lifter                  |
| 10      | 507156008 | Presser bar base plate               |
| 11      | 826055004 | Washer                               |
| 12      | 000193001 | Thin-head setscrew TP4x6             |
| 13      | 652104004 | Presser bar bushing                  |
| 14      | 826006000 | Presser bar spring                   |
| 15      | 735028003 | Presser bar supporter                |
| 16      | 000111500 | Hexagonal socket screw 4x8           |
| 17      | 826056005 | Presser foot support spring          |
| 18      | 652201002 | Washer                               |
| 19      | 660508007 | Presser foot (unit)                  |
| 20      | 827021004 | Presser bar                          |
| 21      | 660106001 | Thumb screw                          |
| 22      | 832235010 | Hook cover plate supporter (left)    |
| 23      | 825015010 | Hook cover plate supporter (right)   |
| 24      | 825016000 | Hook cover plate release button      |
| 25      | 825017001 | Spring                               |
| 26      | 820374004 | Setscrew 2x2.3                       |
| 27      | 751603400 | Needle plate (unit)                  |
| 28      | 822011109 | Bobbin holder stopper                |
| 29      | 000066705 | Setscrew 3x8                         |
| 30      | 751502006 | Bobbin holder stopper (unit)         |
| 31      | 810220003 | Setscrew                             |
| 32      | 751008007 | Needle plate adjusting plate (left)  |
| 33      | 822314002 | Nut                                  |
| 34      | 751009008 | Needle plate adjusting plate (right) |
| 35      | 750036012 | Hook cover plate                     |
| 36      | 820390109 | Needle plate setscrew                |
| 37      | 000103808 | Setscrew 3x5                         |
| 38      | 660806008 | Presser foot holder                  |
| 39      | 685502019 | Zigzag foot                          |

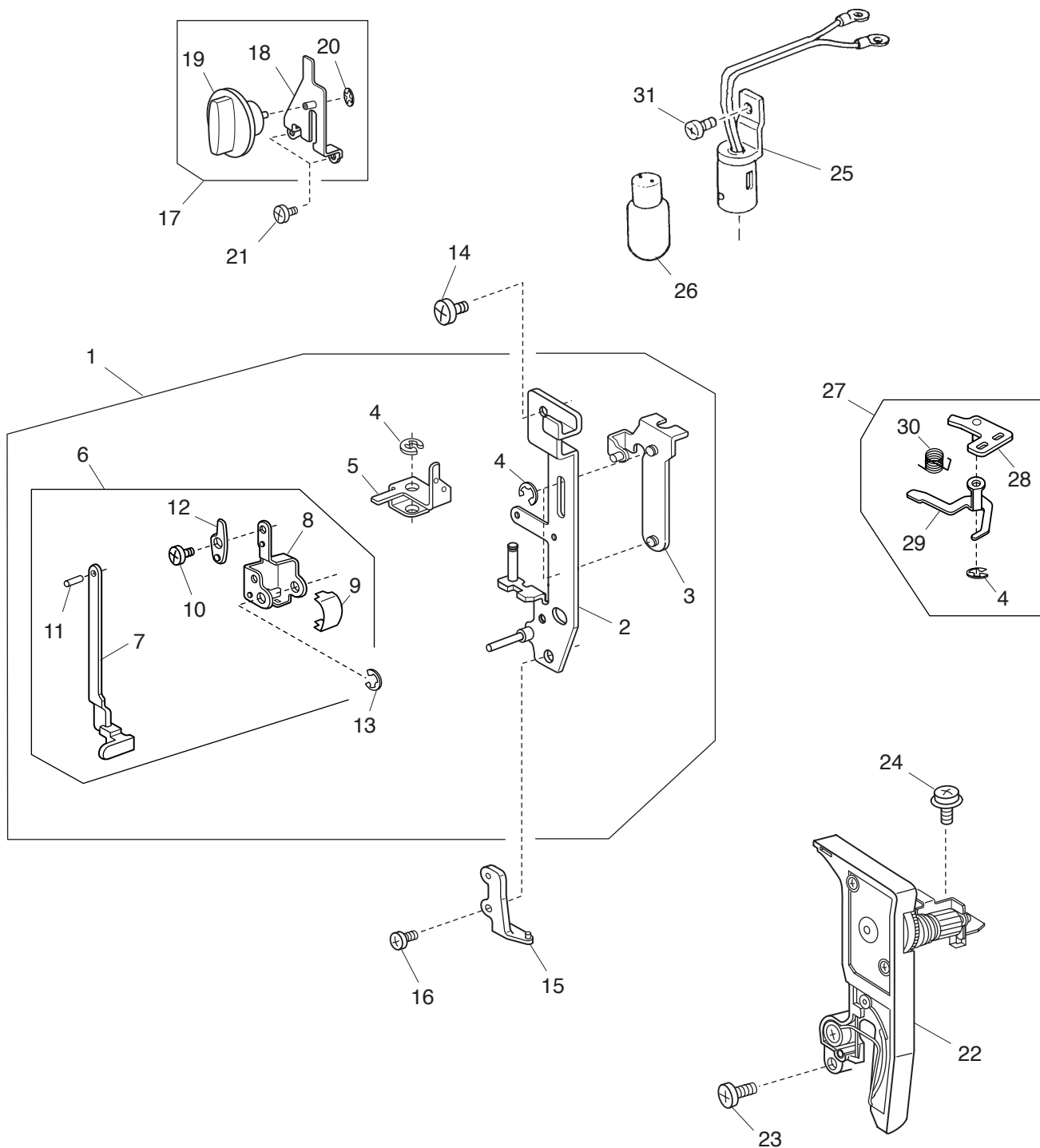
# PARTS LIST



# PARTS LIST

| KEY NO. | PARTS NO. | DESCRIPTION                               |
|---------|-----------|---|
| 1       | 755627103 | Needle bar supporter (unit)               |
| 2       | 751014006 | Needle bar supporter                      |
| 3       | 000111201 | Hexagonal socket screw 4x4                |
| 4       | 751630015 | Needle bar (unit)                         |
| 5       | 807607019 | Threader positioning setting plate (unit) |
| 6       | 807018109 | Threader positioning setting plate        |
| 7       | 000001609 | Snap ring E5                              |
| 8       | 507094007 | Needle bar supporter spring               |
| 9       | 000111902 | Hexagonal socket screw 3x4                |
| 10      | 751047008 | Needle bar connecting stud                |
| 11      | 853509002 | Needle threader (unit)                    |
| 12      | 755062001 | Threader frame                            |
| 13      | 853026000 | Threader lever                            |
| 14      | 755067006 | Needle threader spring                    |
| 15      | 755625008 | Threader shaft (unit)                     |
| 16      | 755066005 | Threader shaft                            |
| 17      | 000003508 | Knock pin 2x8                             |
| 18      | 755643002 | Threader plate (unit)                     |
| 19      | 755064003 | Threader guard plate                      |
| 20      | 755065004 | Threader plate                            |
| 21      | 755096004 | Setscrew                                  |
| 22      | 755095003 | Nut                                       |
| 23      | 000125105 | Pin 2x16                                  |
| 24      | 102408089 | Needle HA-14                              |
| 25      | 846615000 | Needle bar crank (unit)                   |
| 26      | 650039001 | Needle bar crank rod                      |
| 27      | 650040005 | Felt                                      |
| 28      | 650041006 | Spring                                    |
| 29      | 650033005 | Supporter shaft                           |
| 30      | 650034006 | Supporter shaft stopper plate             |
| 31      | 000101404 | Setscrew 4x6                              |
| 32      | 650035007 | Zigzag width arm                          |
| 33      | 000111108 | Hexagonal socket screw 4x6                |
| 34      | 650036008 | Spring                                    |
| 35      | 652512009 | Needle bar crank pin (unit)               |

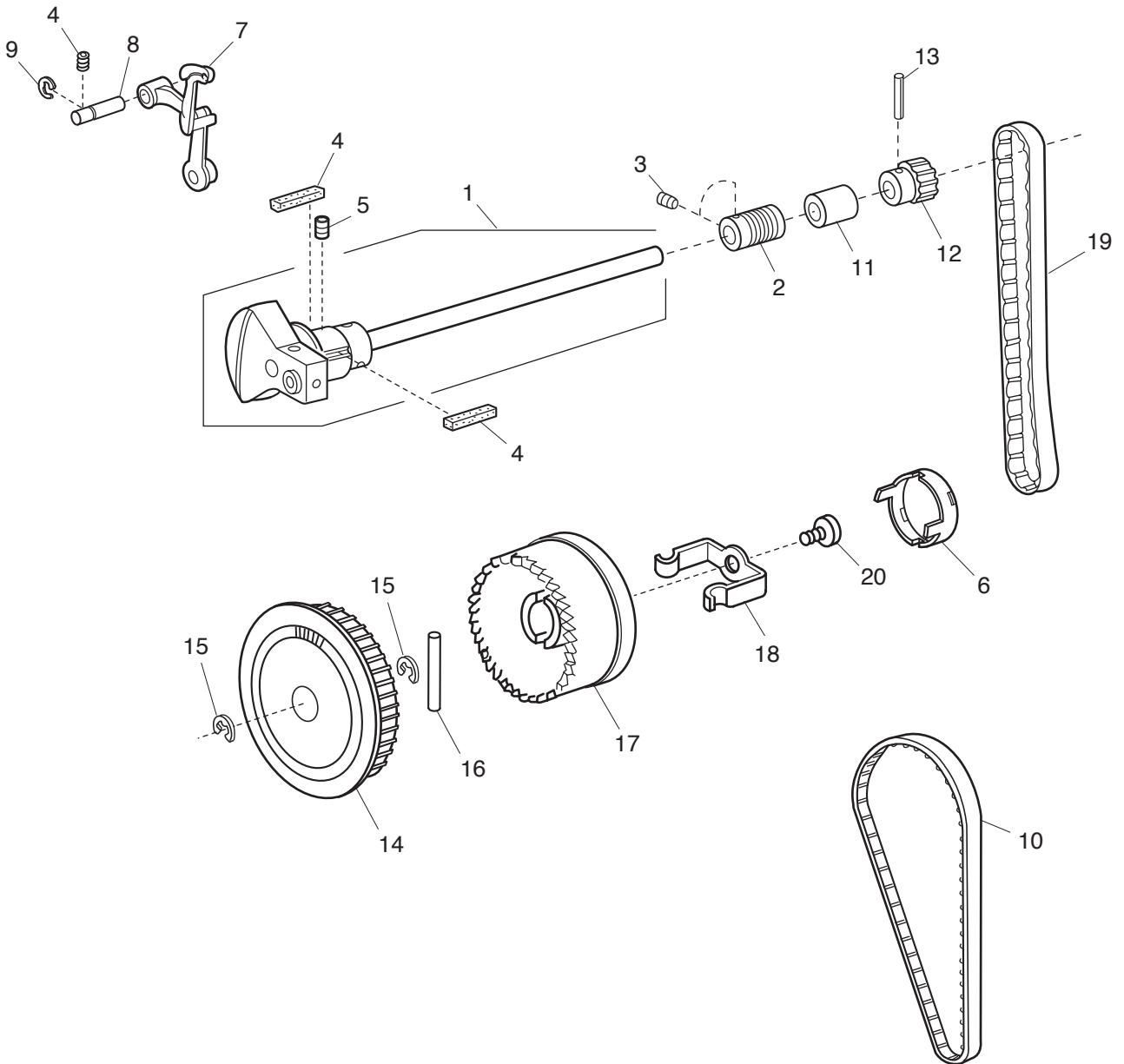
# PARTS LIST



# PARTS LIST

| KEY NO. | PARTS NO. | DESCRIPTION                           |
|---------|-----------|---------------------------------------|
| 1       | 507606008 | Front bracket (unit)                  |
| 2       | 507007014 | Front bracket                         |
| 3       | 501009007 | Presser foot pressure adjusting plate |
| 4       | 000002105 | Snap ring E3                          |
| 5       | 751022100 | Drag rod link                         |
| 6       | 751657007 | Buttonhole lever (unit)               |
| 7       | 751610008 | Buttonhole lever (unit)               |
| 8       | 753026203 | Buttonhole lever supporter plate      |
| 9       | 753027008 | Spring                                |
| 10      | 652203004 | Setscrew 3x3.5                        |
| 11      | 000023009 | Knock pin 1.6x4                       |
| 12      | 753029000 | Buttonhole lever adjusting plate      |
| 13      | 000001207 | Snap ring E2.5                        |
| 14      | 000081005 | Setscrew 4x8                          |
| 15      | 755074006 | Threader guide plate                  |
| 16      | 000103509 | Setscrew 4x10                         |
| 17      | 507607009 | Presser foot pressure dial (unit)     |
| 18      | 501008109 | Dial set plate                        |
| 19      | 507008004 | Presser foot pressure dial            |
| 20      | 000014007 | Snap ring CS4                         |
| 21      | 000106203 | Setscrew 3.5x4                        |
| 22      | 507504108 | Thread tension (unit)                 |
| 23      | 000101703 | Setscrew 4x12                         |
| 24      | 000115205 | Setscrew TP 4x6                       |
| 25      | 647510805 | Lamp socket (unit)                    |
| 26      | 000009803 | Lamp 120V 15W                         |
| 27      | 507638009 | Thread tension release arm (unit)     |
| 28      | 752055002 | Thread tension release arm base       |
| 29      | 751215009 | Thread tension release arm            |
| 30      | 752056003 | Thread tension release spring         |
| 31      | 000101404 | Setscrew 4x6                          |

# PARTS LIST

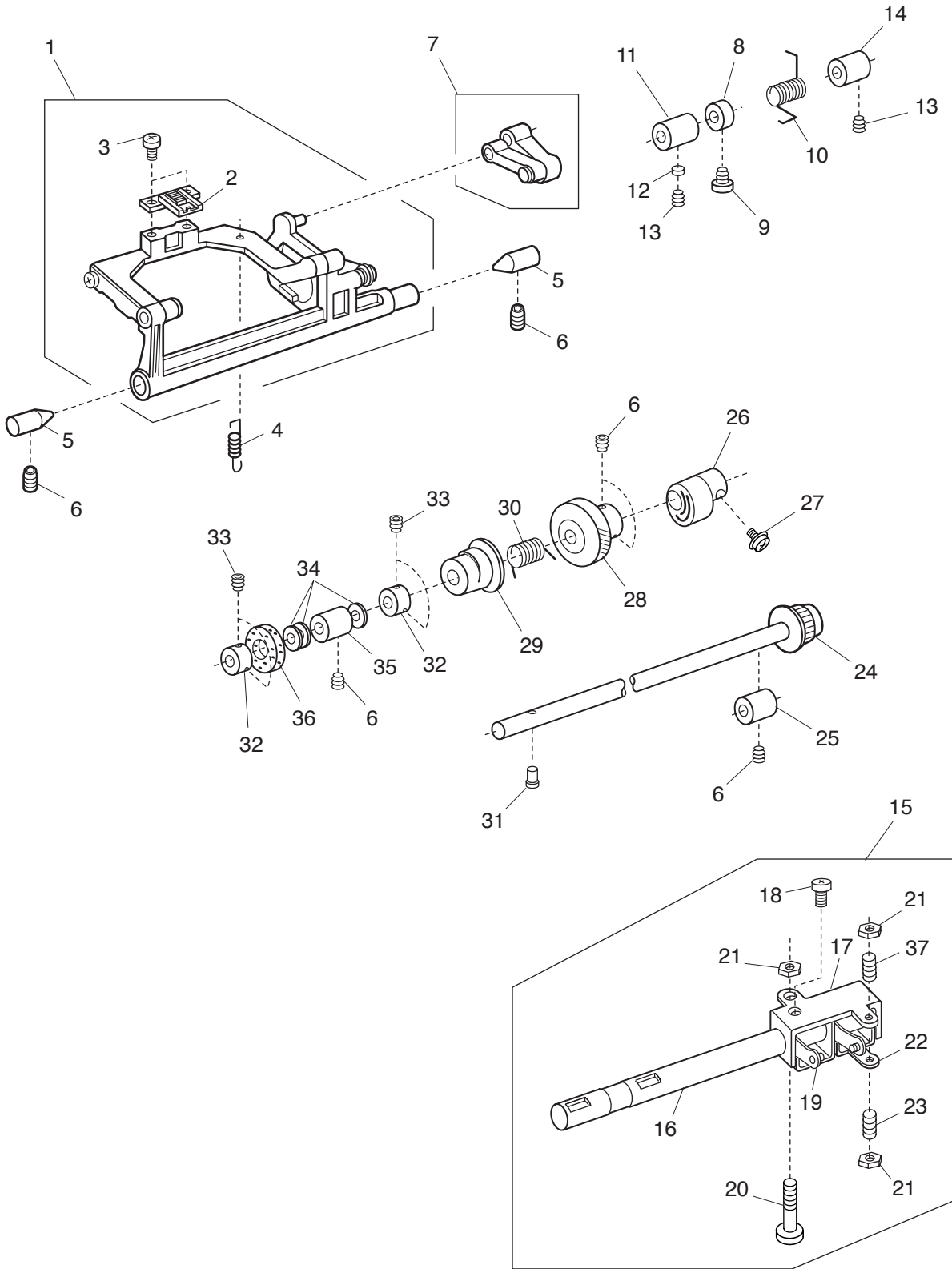




# PARTS LIST

| KEY<br>NO. | PARTS<br>NO. | DESCRIPTION                 |
|------------|--------------|-----------------------------|
| 1          | 756504003    | Upper shaft (unit)          |
| 2          | 507059000    | Worm                        |
| 3          | 000111201    | Hexagonal socket screw 4x4  |
| 4          | 731384008    | Felt                        |
| 5          | 000111304    | Hexagonal socket screw 5x5  |
| 6          | 650070509    | Clutch cap                  |
| 7          | 820511108    | Thread take-up lever (unit) |
| 8          | 650062003    | Thread take-up lever pin    |
| 9          | 000002806    | Snap ring E6                |
| 10         | 653139012    | Timing belt                 |
| 11         | 673062004    | Upper shaft rear bushing    |
| 12         | 756017004    | Upper shaft gear            |
| 13         | 000020501    | Knock pin 3x22              |
| 14         | 756018005    | Belt wheel                  |
| 15         | 000030205    | Snap ring E8                |
| 16         | 000023803    | Knock pin 4x40              |
| 17         | 639097024    | Handwheel                   |
| 18         | 639113016    | Clutch spring               |
| 19         | 650071005    | Timing belt                 |
| 20         | 000081005    | Setscrew 4x8                |

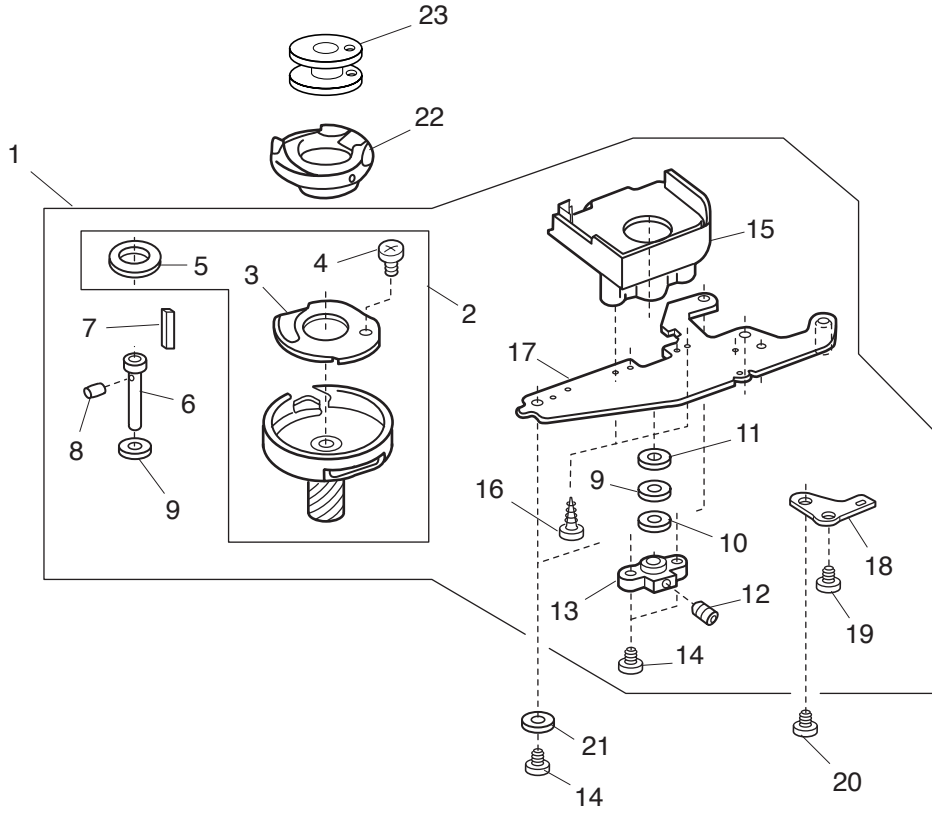
# PARTS LIST



# PARTS LIST

| KEY<br>NO. | PARTS<br>NO. | DESCRIPTION                  |
|------------|--------------|------------------------------|
| 1          | 751666504    | Feed lock shaft (unit)       |
| 2          | 653193003    | Feed dog                     |
| 3          | 000104005    | Setscrew 3.5x8               |
| 4          | 650085002    | Feed base spring             |
| 5          | 738055008    | Straight pin                 |
| 6          | 000111304    | Hexagonal socket screw 5x5   |
| 7          | 650612004    | Feed regulator (unit)        |
| 8          | 820387000    | Ring                         |
| 9          | 000081005    | Setscrew 4x8                 |
| 10         | 507095008    | Feed regulator spring        |
| 11         | 625144002    | Feed shaft bushing (front)   |
| 12         | 650175000    | Cushion                      |
| 13         | 000111108    | Hexagonal socket screw 4x6   |
| 14         | 650092002    | Feed shaft bushing (rear)    |
| 15         | 507608000    | Feed regulating plate (unit) |
| 16         | 507062006    | Feed shaft                   |
| 17         | 507011103    | Feed shaft set plate         |
| 18         | 000081500    | Setscrew 3x12                |
| 19         | 507064008    | SS adjusting plate           |
| 20         | 507087007    | Setscrew                     |
| 21         | 000160102    | Adjustable lock nut 4        |
| 22         | 507063007    | Feed regulating plate        |
| 23         | 648010009    | Setscrew                     |
| 24         | 751612206    | Lower shaft (unit)           |
| 25         | 650079003    | Lower shaft bushing (rear)   |
| 26         | 751148000    | Feed cam                     |
| 27         | 000115009    | Setscrew TP 3x8              |
| 28         | 650955002    | Lower shaft gear             |
| 29         | 753183025    | Feed lifting cam             |
| 30         | 686035008    | Feed lifting cam spring      |
| 31         | 820161006    | Feed lifting pin             |
| 32         | 820166001    | Lower shaft ring             |
| 33         | 000111201    | Hexagonal socket screw 4x4   |
| 34         | 000038502    | Washer                       |
| 35         | 650078002    | Lower shaft bushing (front)  |
| 36         | 735143005    | Felt                         |
| 37         | 000159201    | Setscrew 4x12                |

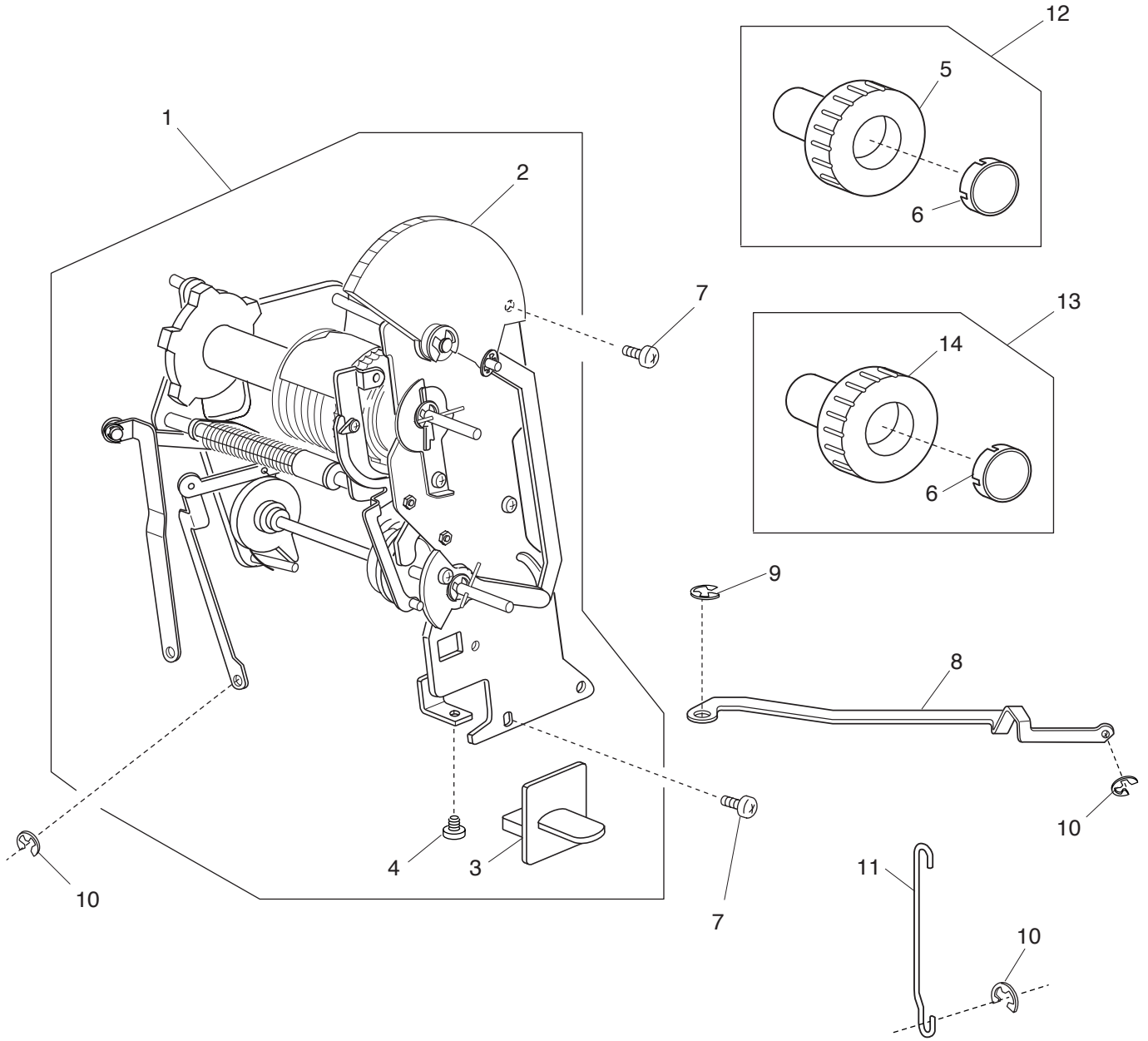
# PARTS LIST



# PARTS LIST

| KEY<br>NO. | PARTS<br>NO. | DESCRIPTION                |
|------------|--------------|----------------------------|
| 1          | 827614022    | Hook race (unit)           |
| 2          | 652623004    | Hook body (unit)           |
| 3          | 627191000    | Hook bottom plate          |
| 4          | 820374004    | Setscrew 2x2.3             |
| 5          | 627190010    | Magnet                     |
| 6          | 820123006    | Hook race shaft            |
| 7          | 820124007    | Oil string(1)              |
| 8          | 820125008    | Oil string(2)              |
| 9          | 000038409    | Washer 6x0.5               |
| 10         | 625102008    | Washer                     |
| 11         | 627192001    | Hook race shaft washer     |
| 12         | 000111304    | Hexagonal socket screw 5x5 |
| 13         | 650094004    | Hook race shaft base       |
| 14         | 000081005    | Setscrew 4x8               |
| 15         | 827040009    | Cover                      |
| 16         | 000107204    | Setscrew 3x12B             |
| 17         | 823106002    | Hook race set plate        |
| 18         | 650171006    | Position set plate         |
| 19         | 000101404    | Setscrew 4x6               |
| 20         | 650172007    | Setscrew                   |
| 21         | 000070506    | Washer 4                   |
| 22         | 627569106    | Bobbin holder (unit)       |
| 23         | 102261000    | Bobbin                     |

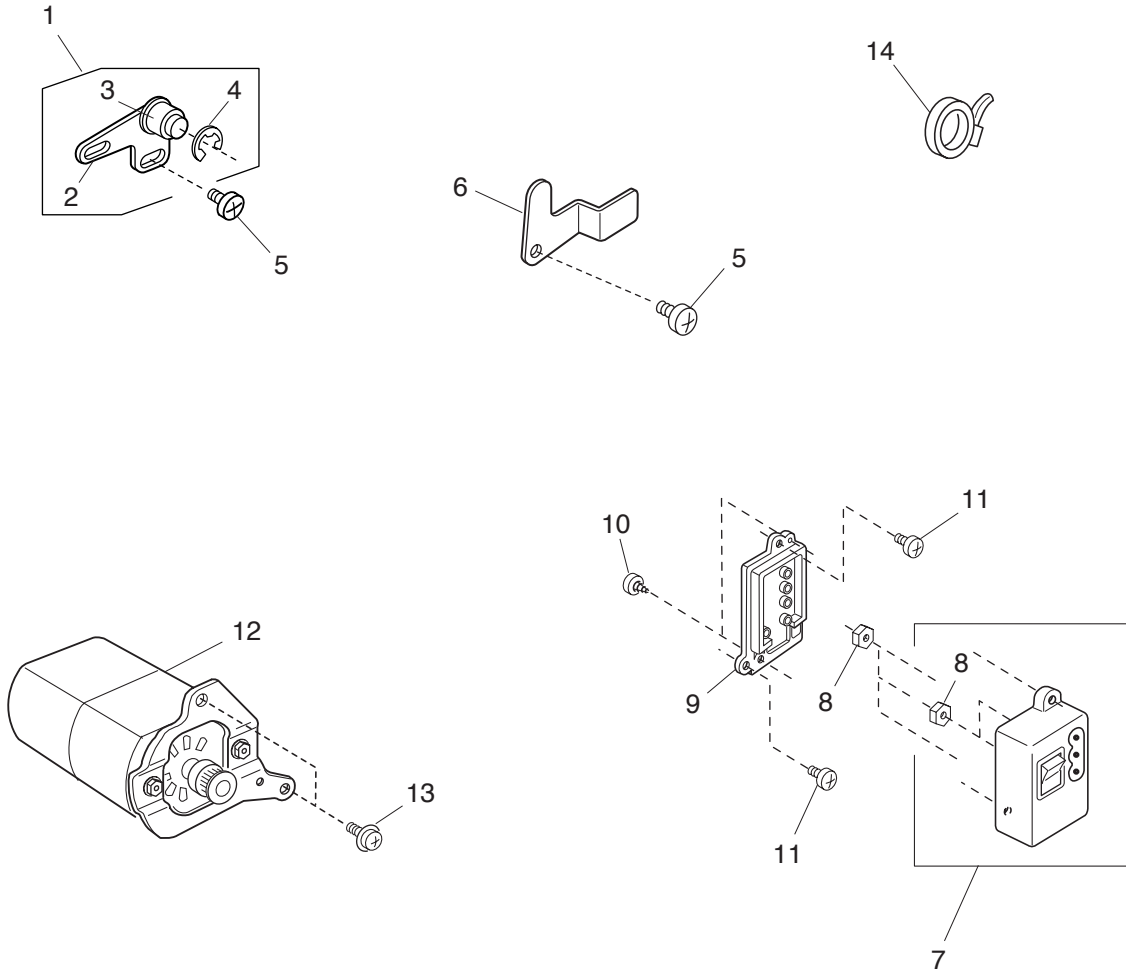
# PARTS LIST



# PARTS LIST

| KEY<br>NO. | PARTS<br>NO. | DESCRIPTION                  |
|------------|--------------|------------------------------|
| 1          | 507636409    | Cam block (unit)             |
| 2          | 507041401    | Zigzag width dial            |
| 3          | 507109109    | R lever                      |
| 4          | 000107307    | Setscrew 3x8B                |
| 5          | 507112415    | Pattern selector dial        |
| 6          | 507113003    | Dial cover                   |
| 7          | 000081005    | Setscrew 4x8                 |
| 8          | 507066000    | Zigzag width rod             |
| 9          | 000002507    | Snap ring E4                 |
| 10         | 000002105    | Snap ring E3                 |
| 11         | 507047005    | BH Rod                       |
| 12         | 507635257    | Pattern selector dial (unit) |
| 13         | 507635268    | Feed dial (unit)             |
| 14         | 507112426    | Feed dial                    |

# PARTS LIST





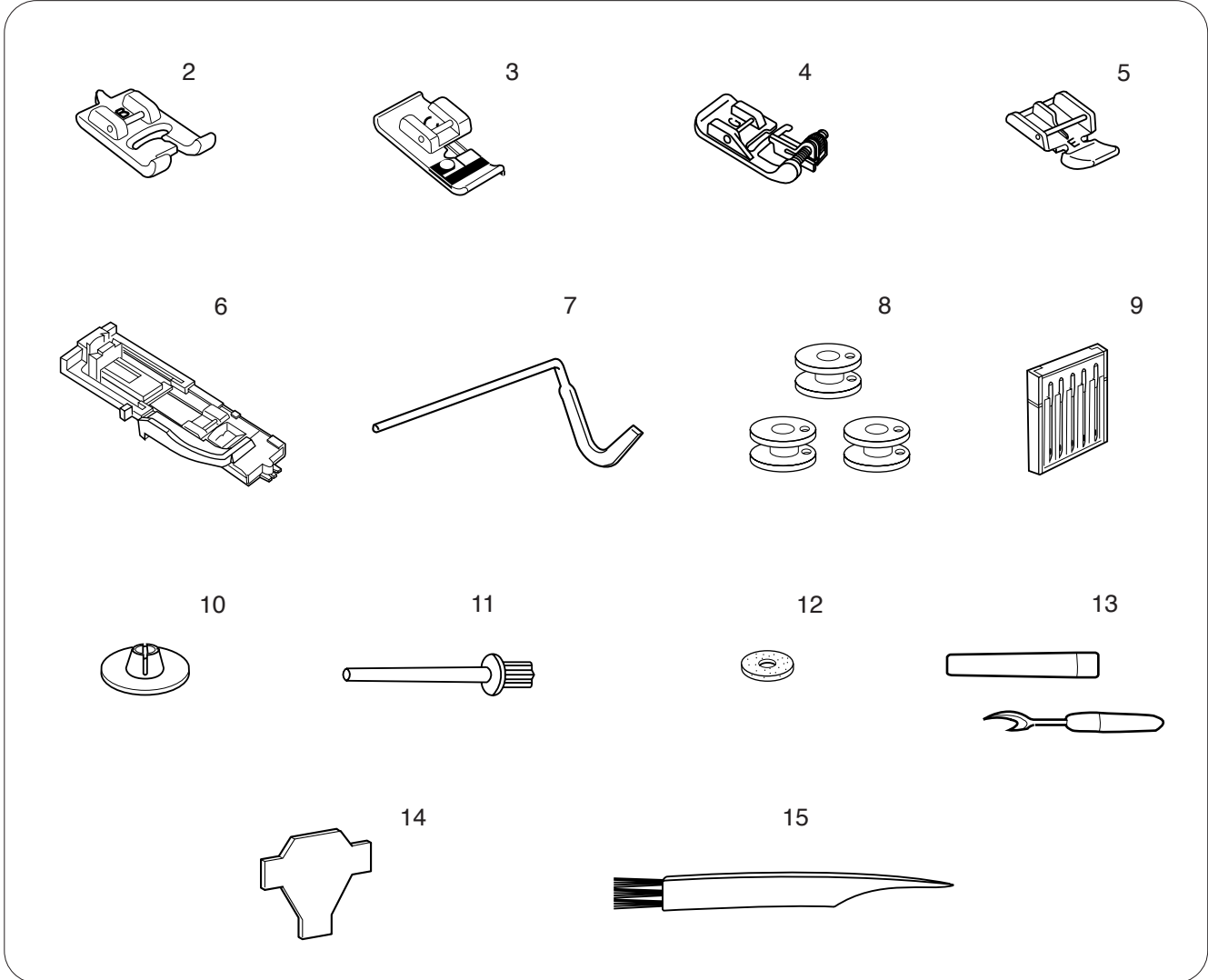
# PARTS LIST

---

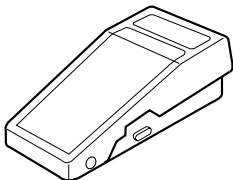
| KEY<br>NO. | PARTS<br>NO. | DESCRIPTION           |
|------------|--------------|-----------------------|
| 1          | 753619003    | Idler (unit)          |
| 2          | 753119008    | Idler base            |
| 3          | 625217100    | Idler                 |
| 4          | 000002806    | Snap ring E6          |
| 5          | 000081005    | Setscrew 4x8          |
| 6          | 507067001    | Set plate             |
| 7          | 739505403    | Machine socket (unit) |
| 8          | 000060802    | Nut                   |
| 9          | 505064002    | Machine socket cover  |
| 10         | 000107802    | Setscrew 3x10         |
| 11         | 000103509    | Setscrew 4x10         |
| 12         | 505623005    | Motor (unit)          |
| 13         | 000115504    | Setscrew TP 5x10      |
| 14         | 000053709    | Cord binder           |

# PARTS LIST

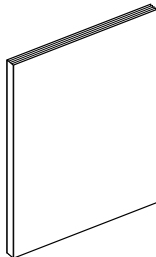
1



16



17



# PARTS LIST

| KEY<br>NO. | PARTS<br>NO. | DESCRIPTION                            |
|------------|--------------|--|
| 1          | 507870049    | Standard accessories (unit)            |
| 2          | 820801016    | BH foot (unit)                         |
| 3          | 822801001    | Overedge foot (unit)                   |
| 4          | 820817015    | Blind hem foot (unit)                  |
| 5          | 829801002    | Zipper foot (unit)                     |
| 6          | 753801004    | BH foot (unit)                         |
| 7          | 802422002    | Quilting bar                           |
| 8          | 102261000    | Bobbin                                 |
| 9          | 540401026    | Needle case (unit)                     |
| 10         | 822019509    | Spool holder (small)                   |
| 11         | 625031500    | Additional spool pin (2)               |
| 12         | 102403109    | Felt                                   |
| 13         | 647808009    | Seam ripper (buttonhole opener) (unit) |
| 14         | 653802002    | Screwdriver                            |
| 15         | 802424004    | Lint brush                             |
| 16         | C-1028       | Foot control (unit)                    |
| 17         | 507800646    | Instruction book                       |