

LCD DISPLAY

SERVICE MANUAL

BLE1LX

CONTENTS

	PAGE
1. Outline of LCD display	1
2. Replacement of LCD Unit	2
3. Adjustment of LCD contrast	2
4. LCD Specification	3
5. Switch Operations	4~6
6. Troubleshooting	7

BABY LOCK

SIMBLE1LX

1. Outline of LCD display

1-1 Introduction

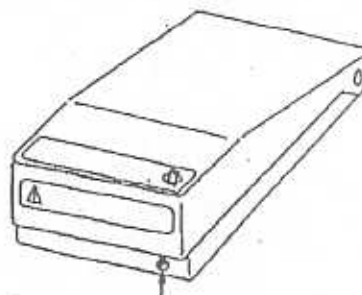
- This LCD is able to display the instruction only and it is not connected with other functions of the machine.
Please set your machine according to the LCD display.
- The pre-set factory settings on the LCD display are based on standard fabrics and threads. In case you want to change the settings, please refer the "Program Mode" of page 24 in the instruction book.
- This LCD employs EEPROM for memory of your desired settings, and the new settings will be saved even if the machine is turned off.
- The LCD screen is covered by a film in order to prevent the surface of screen from lint.
• You may peel it off before you use the LCD functions.
- When you turn on the machine, the LCD screen always shows LCD program page 1; "4-THREAD SEAMING L-FAB".

1-2 Caution

- The LCD unit is contained with the front cover and please pay attention not to have moisture in it.
- In case the indoor temperature is extremely low, the LCD screen sometimes might not be awoken. In case the indoor temperature is extremely high, the data might happen to become disordered.
Therefore, please keep the temperature between;
 $+10^{\circ}\text{C} \sim +40^{\circ}\text{C}$ ($+50^{\circ}\text{F} \sim +104^{\circ}\text{F}$)

Special Caution for U.S.A & Canada

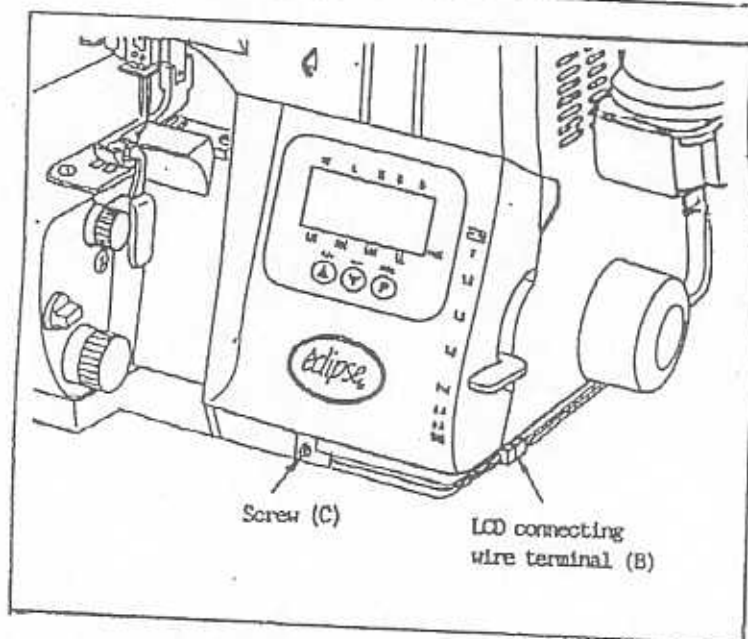
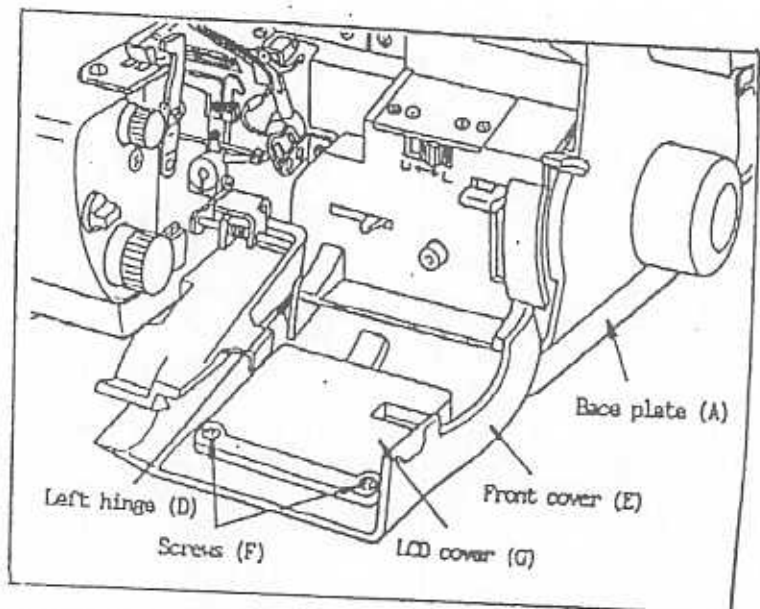
Use YC482 controller with a circle label in silver ● for model BLE1LX. This machine employs DC motor (L10DS) and only the above controller matches the DC motor.



Silver Label

2. Replacement of LCD Unit

- 1) Turn off the serger.
- 2) Remove base plate (A).
- 3) Remove LCD connecting wire terminal (B).
- 4) Remove screw of flexible code (C).
- 5) Remove left hinge (D) of front cover first, and remove front cover (E).
- 6) Loosen two screws (F), and remove LCD cover (G).
- 7) Remove LCD unit (H).
- 8) Replace the new LCD unit and return 7)→1).

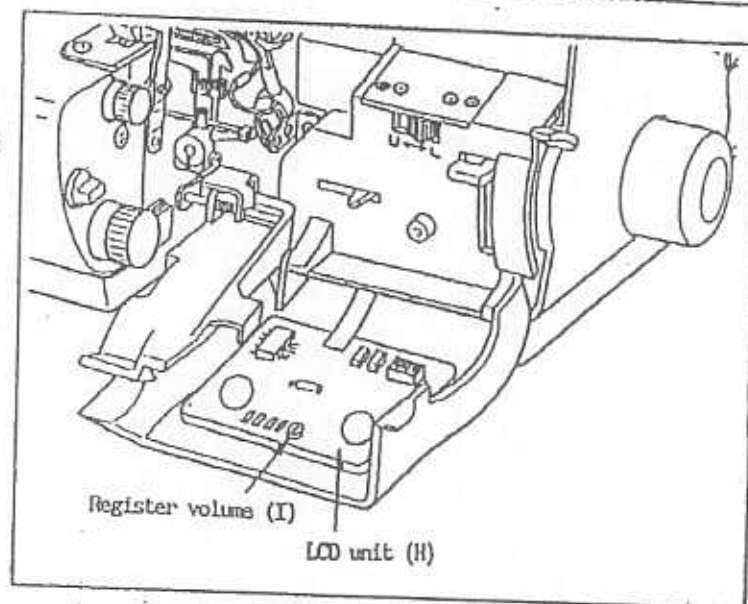


3. Adjustment of LCD contrast

- 1) Loosen two screws (F), and remove LCD cover (G).
- 2) Adjustment resistor volume (I)

Special Caution

Do not touch PCB with your finger directly while the serger turn on.



4. LCD Specification

4-1 Main Component

MCU:	EPSON SMC88308
LCD Driver:	EPSON SED152A
EEPROM :	ATMEL AT28C16
Voltage Regulator:	S2 S-81250SG-QD-X
LCD Display:	EPSON STN Type
	1 Character=5x7 Dots
	4 Rows x 16 Columns

4-2 Language

	Dip Switch	
	1	2
English	ON	ON
Germany	OFF	ON
Japanese	OFF	OFF
Japanese	ON	OFF

4-3 Display content

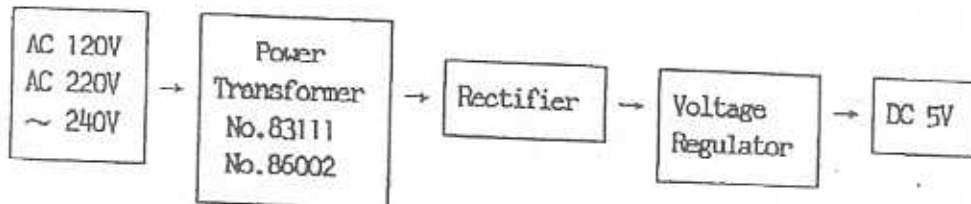
English, Germany: Total 14 groups of messages.
Each group is divided into 3 types
and totally 42 types of message.

Japanese: Total 10 groups of messages.
Each group is divided into 2-3 types
and totally 26 types of message.

4-4 Power Sauce

Power transformer model No.83111 is used for line voltage of 120V.
Power transformer model No.86002 is used for line voltage of 220V
~ 240V.

Power Voltage is DC 5V which is regulated via voltage legulator,



5. Switch Operations

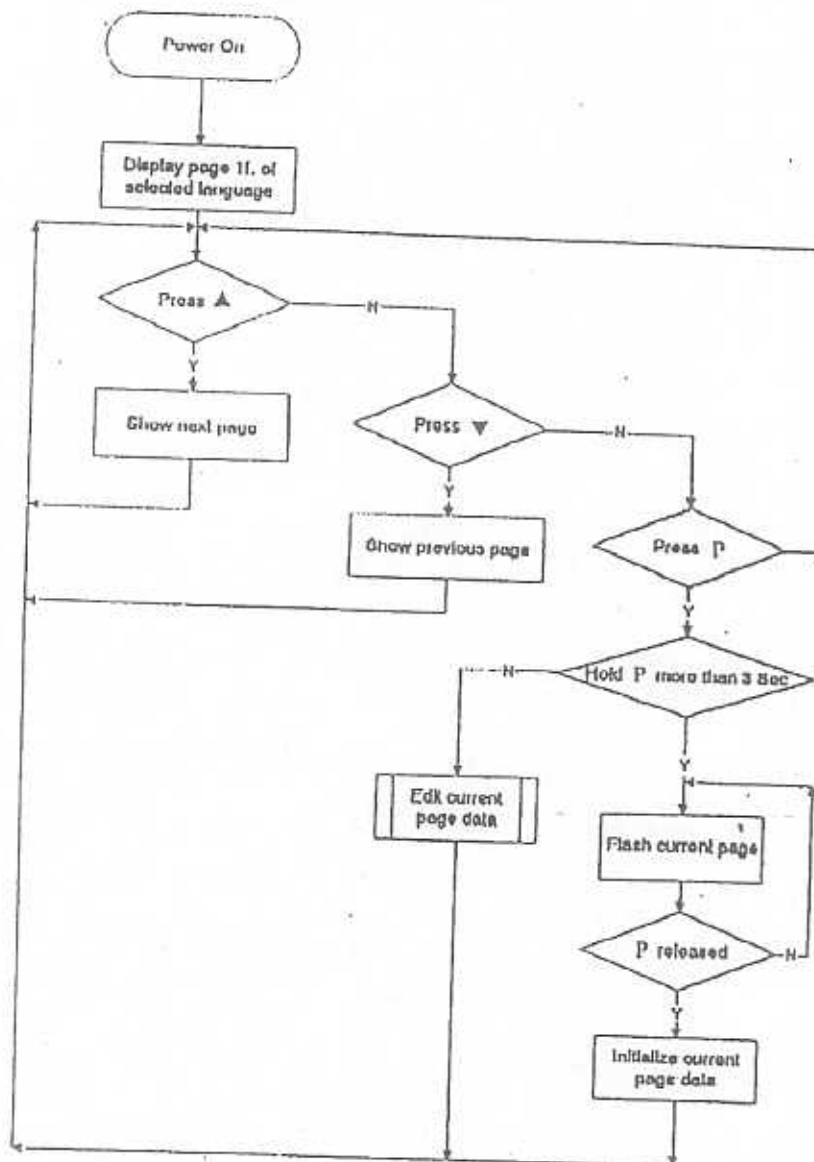
5-1 Normal mode operation

- Turn on serger, display will show page 1L of selected language.
- When switch ▲ is pressed, next page will be shown.
- The sequence will be 1L → 1M → 1H → 2L → 14L → 14M → 14H cyclically.
- When switch ▼ is pressed, previous page will be shown.
- The sequence will be 14H → 14M → 14L → 2L → 1H → 1M → 1L cyclically.
- ▲ and ▼ have the repeat key function in this mode. That is when press and hold ▲ or ▼, its function will be repeated by 2Hz.

5-2 Current page reset

- When switch P is pressed and hold over 3 second, current page data will be reset to initial values after switch P has been released. Before switch P is released, current page with old data will flash.

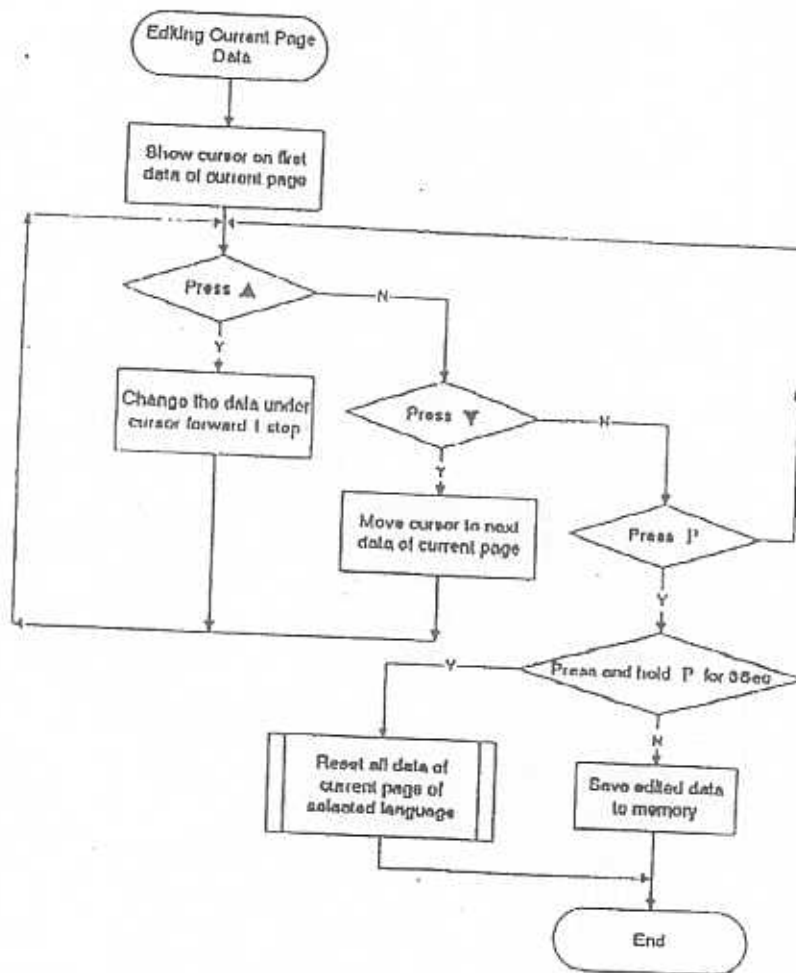
FLOW CHART



5-3 Program mode operation

- When switch P is pressed and released within 3 seconds, program mode will be entered. At the start of data editing, cursor will flash on the first data.
- When switch ▼ is pressed, cursor will shift to next data location (from left to right and from upper to lower).
- When switch ▲ is pressed, the data under the cursor will change by 1 step forward.
- switch ▲ have the repeat key function in this mode.
- When switch P is pressed again, editing mode will be exited. Normal display mode will be entered again. The data modified will be updated to the memory.

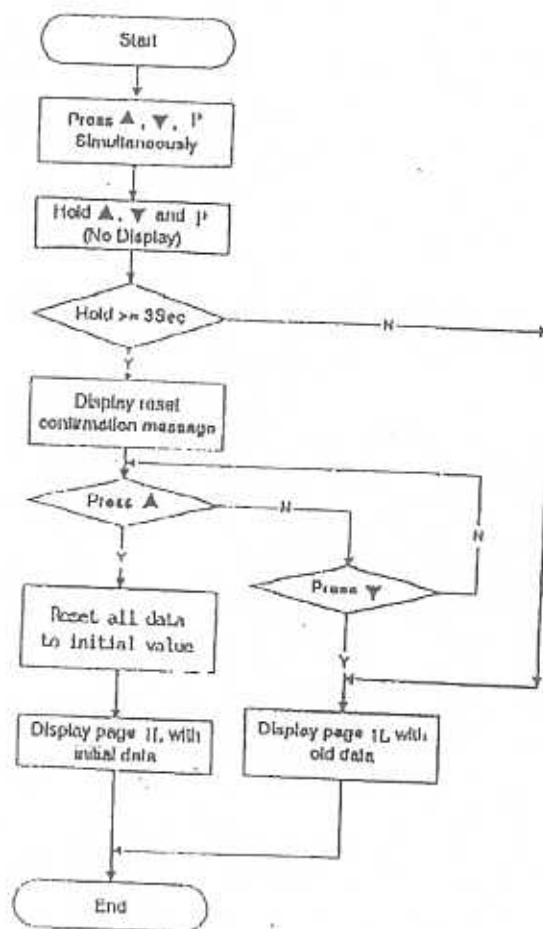
FLOW CHART



5-4 All page reset

- When all switches are pressed simultaneously and hold over 3 seconds, all page reset mode will be entered.
- In all pages reset mode, if ▲ is pressed, all pages of all language will be reset to initial values and then back to normal mode. On the other hand, if ▼ is pressed, data will not be reset and then back to normal mode.

FLOW CHART



6. Troubleshooting

6-1 LCD screen fails to display

- Are electrical plugs properly connected?
- Is the power switch on?
- Check household circuit breaker or fuse?
- Are register volume adjusting properly?
- Is the indoor temperature extremely low?

6-2 ▲ or ▼ button does not work

- Are you in Program Mode with the screen flashing?

6-3 LCD screen fails to save new settings.

- Did you press the button P (PROG.) after you changed the settings?
- Check household voltage over 115V.

6-4 Strange letters appear on the LCD screen.

- Turn off the serger and then turn on again.
- Clear strange letters by current page reset or all page reset.
- Check household voltage over 115V.
- Is machine set for another language?
- If the strange letters still appear, please change LCD unit.