

baby lock

PARTS LIST

MODEL BLE8W-2

Evolution

Serial Numbers

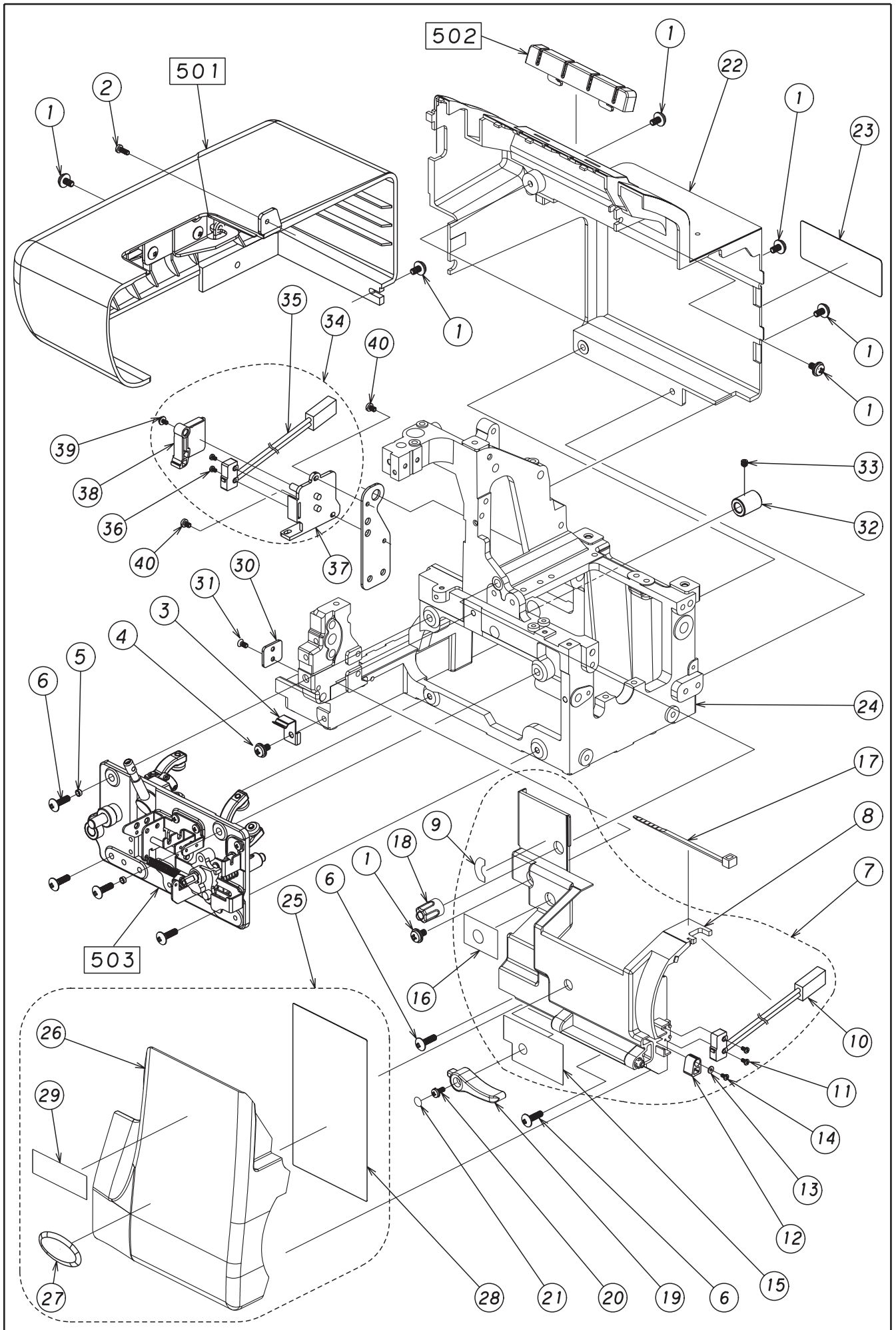
	U.S.A.	CANADA	EUROPE
From	E9 100001		
To			

[1-1]

ARM BED & COVERS

Ref	PARTS NUMBER	DESCRIPTION			
			USA	Europe UK Australia NZ	CANADA
1	SM4008E3K7	Screw	7	7	7
2	SM3008Z3K	Screw	1	1	1
3	B0221-01A-PY	Slide cover stopper	1	1	1
4	SM4008Z3K	Screw	1	1	1
5	SP40083K	Spacer	2	2	2
6	SM4014T3K	Screw	6	6	6
7	B1-01A02A-41	Bed cover set (110-120V)	X		X
	B1-01A06A-41	Bed cover set (220-240V)		X	
8	B1-01005A-41	Bed cover	1	1	1
9	B1-01018A-41	Overlock looper thread fine tuning seal	1	1	1
10	B1-65010A-DD	Front cover set (110-120V)	1	0	1
	B1-65011A-DD	Front cover set (220-240V)	0	1	0
11	ST2010U3K	Screw	2	2	2
12	B7786-01A	Micro switch lever 1	1	1	1
13	WP2505M3K	Washer	1	1	1
14	ST2004N3K	Screw	1	1	1
15	B1-01023A-41	Threading selector seal	0	0	0
	B1-01019A-41	Threading selector seal	1	1	1
16	B1-01020A-41	Upper looper selector seal	1	1	1
17	Q1-72006A-DD	Cord band	1	1	1
18	B1-58002A-41	Overlock looper thread fine tuning knob	1	1	1
19	B1-42001A-41	Threading lever	1	1	1
20	SM3008E3K6	Screw	1	1	1
21	B1-42029A-41	Threading lever seal	1	1	1
22	B1-01011A-41	Rear cover	1	1	1
23	B1-90001A-DD	Serial number seal (UL)	1	0	0
	B1-90003A-DD	Serial number seal (CE)	0	1	0
	B1-90002A-DD	Serial number seal (C-UL)	0	0	1
24	B1-00001A-DD	Arm bed	1	1	1
25	B1-01A04A-41	Front cover set	X	X	X
26	B1-01006A-41	Front cover	1	1	1
27	B0822-34A	Babylock seal	1	1	1
28	B1-01016A-41	Threading instruction seal	1	1	1
29	B1-01014A-DD	evolution seal	1	1	1
30	B2920-04A-P	Side cover stopper	1	1	1
31	SM3006K3K	Screw	1	1	1
32	407-6303-04C	Chain looper shaft rear bush	1	1	1
33	SM4005VY	Screw	1	1	1
34	B1-65A02A-DD	Micro switch 2 set for side cover (110-120V)	X		
	B1-65A03A-DD	Micro switch 2 set for side cover (220-240V)		X	X
35	B1-65012A-DD	Micro switch 2 for side cover (110-120V)	1	0	1
	B1-65013A-DD	Micro switch 2 for side cover (110-120V)	0	1	0
36	ST2010U3K	Screw	2	2	2
37	B7730-03A-33	Micro switch base	1	1	1
38	B7715-03A-33	Micro switch lever 2	1	1	1
39	ST3006I3K	Screw	1	1	1
40	SM3005Z3K	Screw	2	2	2
Ref	PARTS NUMBER	DESCRIPTION			
501	B1-01A03A-41	Side cover set			
502	B0205S07A-41	Head thread guide set			
503	B1-20A01A-DD	Looper base unit			

1-1 ARM BED & COVERS



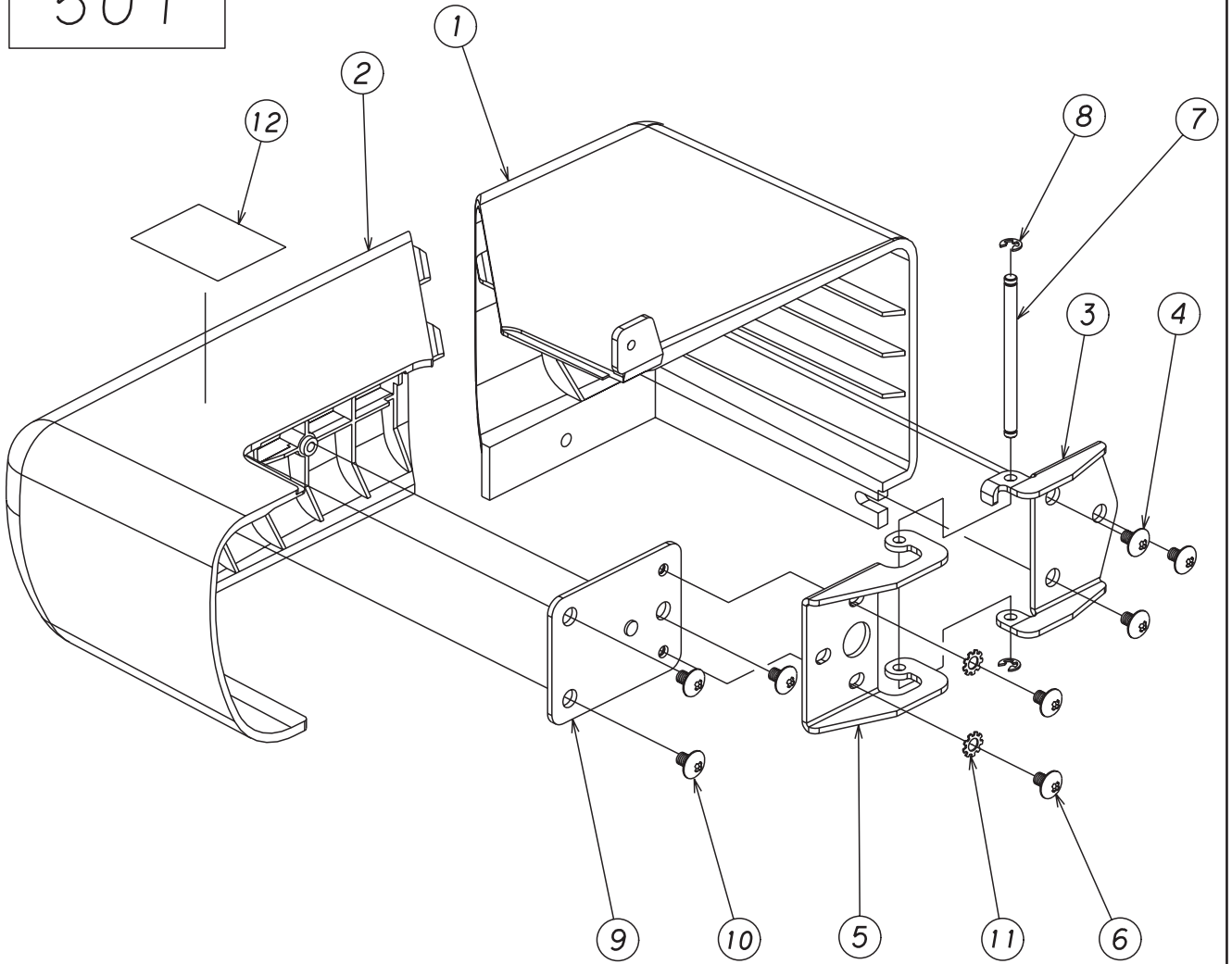
[1-1-1]

ARM BED & COVERS

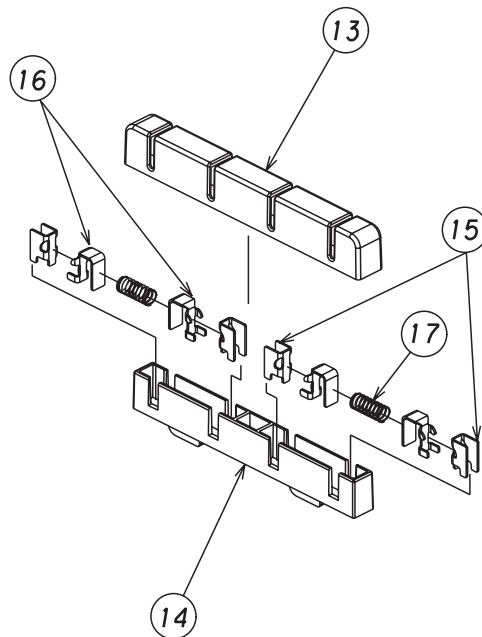
Ref	PARTS NUMBER	DESCRIPTION			
			USA	Europe UK Australia NZ	CANADA
501	B1-01A03A-41	Side cover set	X		
1	B0201-03A-41	Side cover	1		
2	B1-01012A-41	Slide cover silk printed	1		
3	B0220-01A-3K	Slide cover hinge (1)	1		
4	ST4008T3K	Screw	3		
5	B0220-02A-3K	Slide cover hinge (2)	1		
6	SM4006T3K	Screw	2		
7	B0210-01A-3K	Hinge shaft	1		
8	RE030-3K	E-ring	2		
9	B0220-03A-3K	Hinge base	1		
10	SM4008T3K	Screw	3		
11	WT4085053K1	Washer	2		
502	B0205S07A-41	Head thread guide set	X		
13	B0205T09A-41	Head thread guide	1		
14	B0207T01A	Spring clamp holder	1		
15	B0253-02A	Sub tension plate (1)	4		
16	B0253-03A	Sub tension plate (2)	4		
17	B0250-02A	Spring	2		

1-1-1 ARM BED & COVERS

501



502



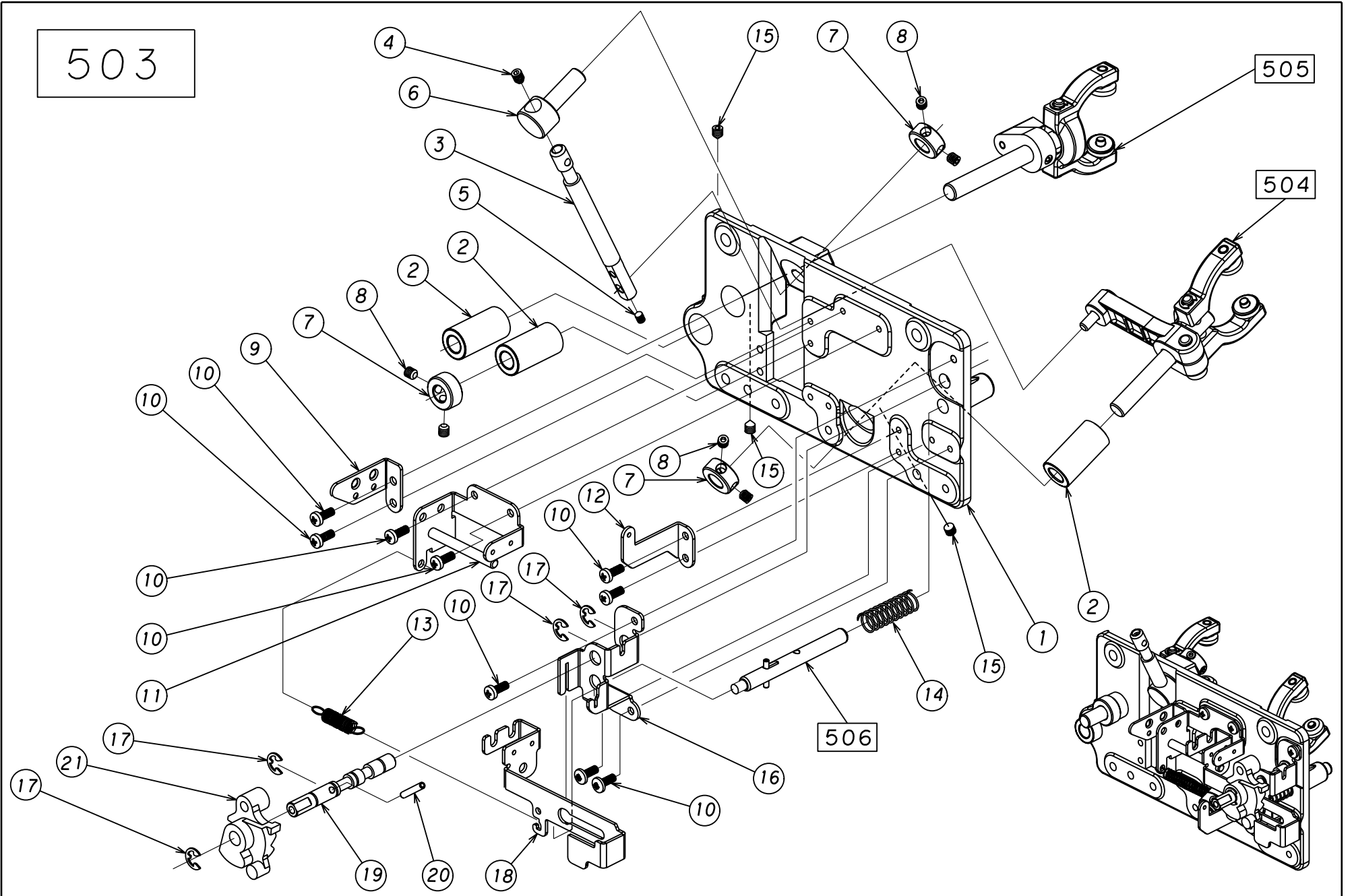
[1-1-2]

ARM BED & COVERS

Ref	PARTS NUMBER	DESCRIPTION			
			USA	Europe UK Australia NZ	CANADA
503	B1-20A01A-DD	Looper base unit	X		
1	B1-20001A-DD	Looper base	1		
2	B2405-01A	Upper looper driving shaft bush	3		
3	B2403-03C-PY	Upper looper fixing shaft	1		
4	SM4005OY	Screw	1		
5	SM3005VY	Screw	1		
6	B2406-01A-PY	Upper looper fixing shaft pivot	1		
7	B8835-02A-P	Thrust collar	3		
8	SM4004FY	Screw	6		
9	B6421-02B-C	Thread take-up guide	1		
10	SM3008Z3K	Screw	9		
11	B5821S02A-U	Overlock looper threading pipe holder set	1		
12	B5821-07A-P	Threading pipe guide	1		
13	B6751-04A	Spring	1		
14	B1-42022A-DD	Spring	1		
15	SM4005VY	Screw	3		
16	B1-42005A-AD	Machine engage shaft holder	1		
17	RE040-3K	E-ring	4		
18	B1-42010B-ND	Engage pipe holder	1		
19	B1-42013A-PD	Threading engage cam shaft	1		
20	PS2514WP	Pin	1		
21	B1-42003A-00	Threading engage cam	1		

Ref	PARTS NUMBER	DESCRIPTION	
504	B2400A01A	Upper looper driving shaft fork set	
505	B2500A02A	Lower looper driving shaft fork set	
506	B1-42K01A-DD	Machine engage shaft set	

1-1-2 ARM BED & COVERS



503

505

504

506

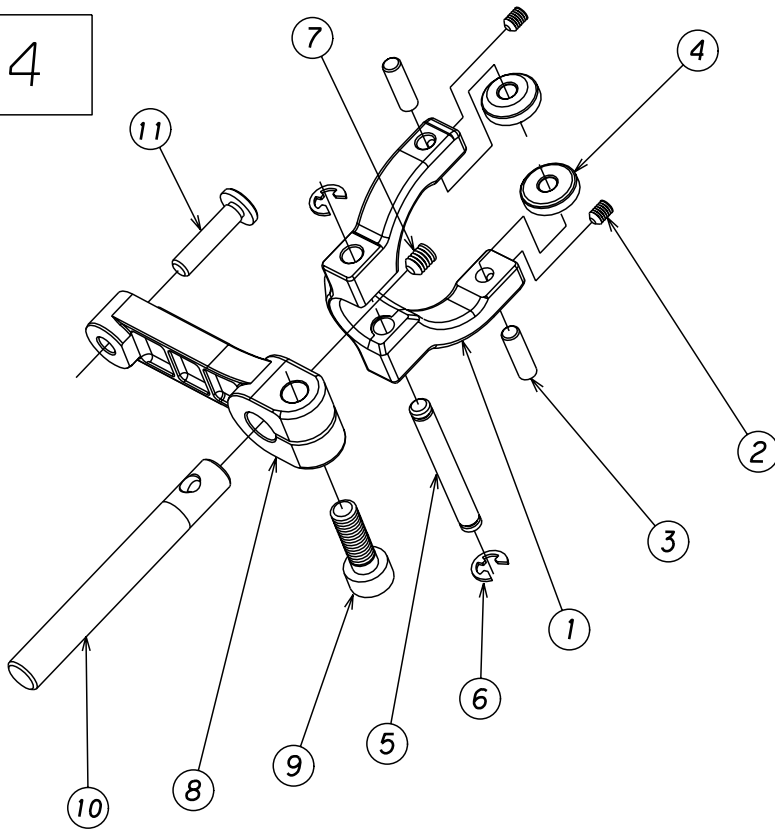
[1-1-3]

ARM BED & COVERS

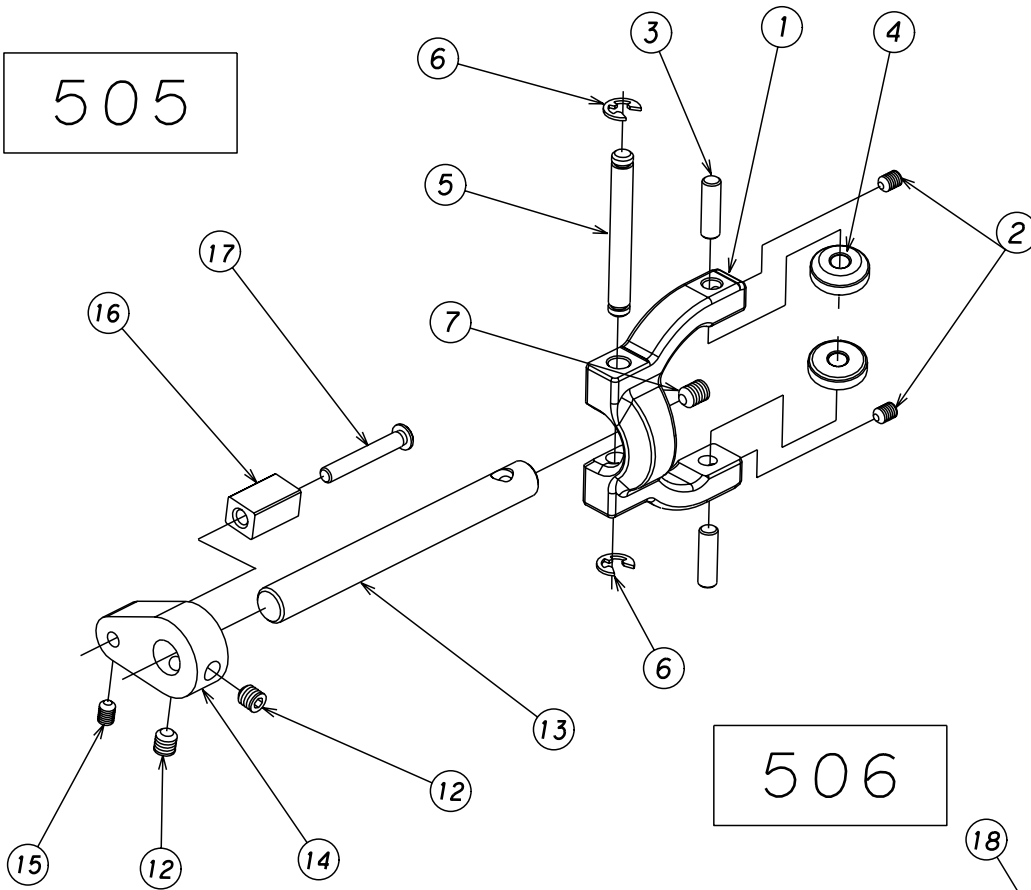
Ref	PARTS NUMBER	DESCRIPTION			
			USA	Europe UK Australia NZ	CANADA
504	B2400A01A	Upper looper driving shaft fork set	X		
1	B2483-06A	Looper driving shaft fork	2		
2	SM3004WY	Screw	4		
3	AM-H21-03A	Roller pin	4		
4	B2487-03A	Cam roller	4		
5	B2455-02A	Joint pin	2		
6	RE030-3K	E-ring	4		
7	SM4004WY	Screw	2		
8	B2415-03A	Upper looper driving arm	1		
9	SM5016CY	Screw	1		
10	B2403-01A	Upper looper driving fork shaft	1		
11	C1956-01A-OY	Upper looper driving arm joint pin	1		
※	SM4005VY	Screw	1		
505	B2500A02A	Lower looper driving shaft fork set	X		
12	SM4004FY	Screw	2		
13	B2503-02A	Lower looper driving fork shaft	1		
14	B2615-01A	Chain looper connecting arm	1		
15	SM3003FY	Screw	1		
16	B2685-01A	Chain looper connecting block	1		
17	B2603-02A-OY	Pin	1		
506	B1-42K01A-DD	Machine engage shaft set	X		
18	B1-42016A-PD	Machine engage shaft	1		
19	PW2010W	Pin	1		
20	B1-42023A-DD	Spring	1		
21	B1-42017A-PD	Machine engage sub shaft	1		

1-1-3 ARM BED & COVERS

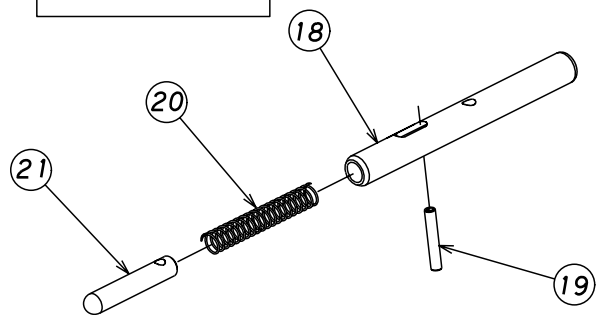
504



505



506



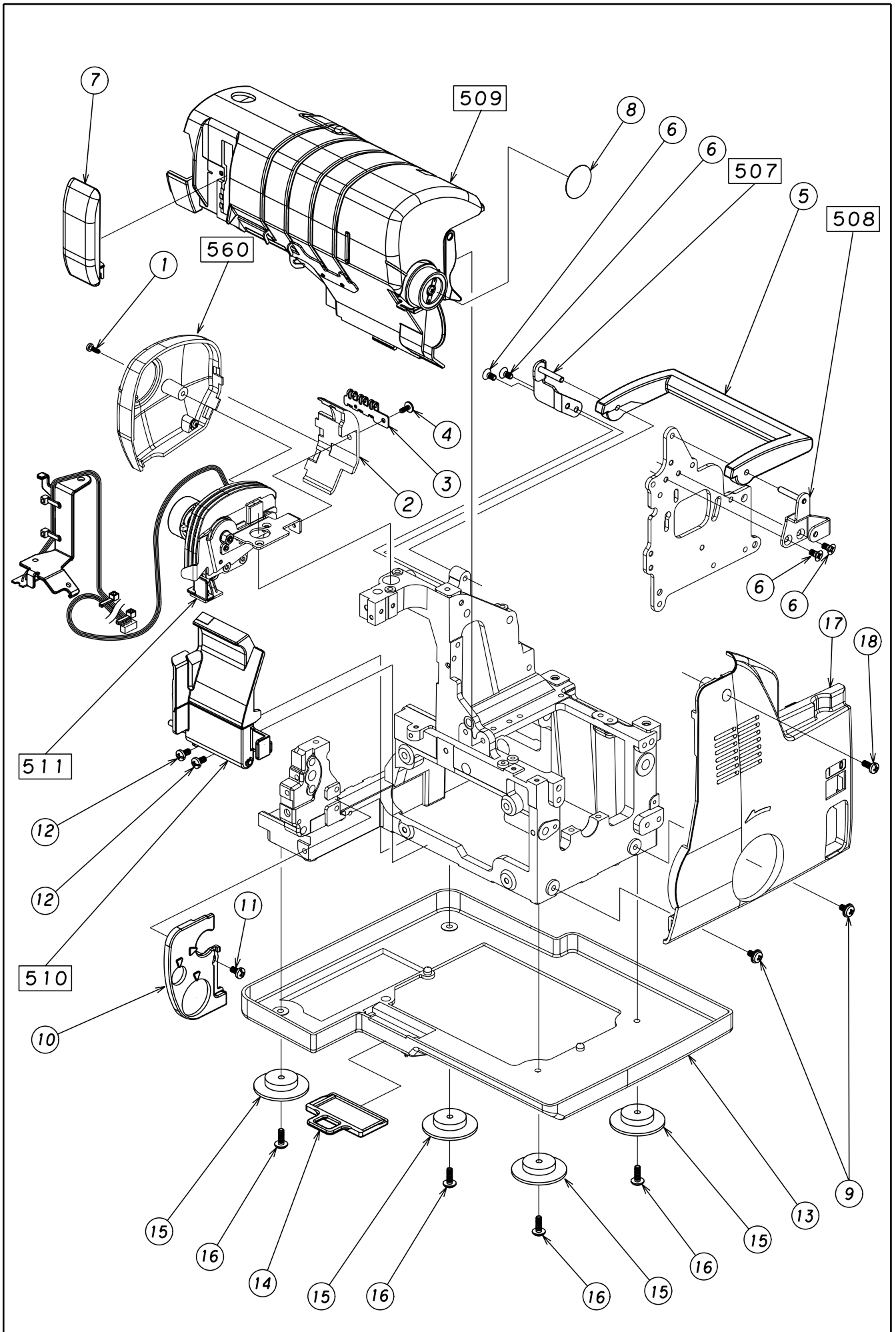
[2-1]

FACE COVER & COVERS

Ref	PARTS NUMBER	DESCRIPTION			
			USA	Europe UK Australia NZ	CANADA
1	ST3010N3K	Screw	1		
2	B1-01008A-41	Back arm cover	1		
3	B6175-01A-C	Chain needle thread guide	1		
4	SM3008Z3K	Screw	1		
5	B0601-01A-41	Handle	1		
6	SM4008K3K	Screw	4		
7	B1-01009A-41	Thread take-up cover	1		
8	B6024-08A	Seal	1		
9	SM4008E3K7	Screw	2		
10	B0401-06A-41	Knife holder cover	1		
11	SM3008Z3K	Screw	1		
12	SM4008Z3K	Screw	2		
13	B1-01003A-41	Base plate door	1		
14	B0302-01A-41	Base plate door	1		
15	615-1104-01A	Rubber cushion	4		
16	ST4012Y3K	Screw	4		
17	B1-01004A-41	Belt cover	1		
18	SM4010X3K	Screw	1		

Ref	PARTS NUMBER	DESCRIPTION	
507	B0600K02A	Handle pin set (left)	
508	B1-01K01A-DD	Handle pin set (right)	
509	B1-01A01A-41	Face cover set	
510	B0400A07A-41	Knife cover set	
511	B1-55A01A-41	Chain needle thread tension set	
560	B1-01A05A-41	Arm cover set	

2-1 FACE PLATE & COVERS



[2-1-1]

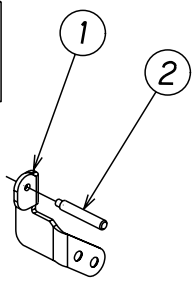
FACE COVER & COVERS

Ref	PARTS NUMBER	DESCRIPTION			
			USA	Europe UK Australia NZ	CANADA
507	B0600K02A	Handle pin set (left)	X		
1	B0603-02A-P	Pin	1		
2	B0620-02A-3K	Handle pin base(left)	1		
508	B1-01K01A-DD	Handle pin set (right)	X		
3	B0603-02A-P	Pin	1		
4	B1-01010A-AD	Handle pin base (right)	1		
509	B1-01A01A-41	Face cover set	X		
5	B1-01013A-41	Face cover	1		
6	B1024-08B	Thread take-up cover seal	0		
	B1024-06A	Chain needle seal	1		
7	B1024-50B	Overlock needle seal	1		
8	B1-01017A-41	Selector seal	1		
9	B6120-05A-C	Thread guide	2		
10	ST3008N3KP	Screw	4		
11	B6121-06A-C	Face cover thread guide	1		
12	SM3005Z3K	Screw	2		
510	B0400A07A-41	Knife cover set	X		
13	B0401-04A-41	Knife cover	1		
14	B0424-08A	Margin gauge seal	1		
15	B0402-01A-41	Knife cover base	1		
16	B0421-02A-3K	Knife cover hinge	1		
17	B0403-01B-3K	Knife cover hinge shaft	1		
18	RE030-3K	E-ring	2		
19	B0450-02A	Spring	1		
560	B1-01A05A-41	Arm cover set	X		
20	B1-01007A-41	Arm cover	1		
21	B6920-01A	Thread cut blade	1		
22	WP3008053K	Washer	1		
23	ST3006N3K	Screw	1		

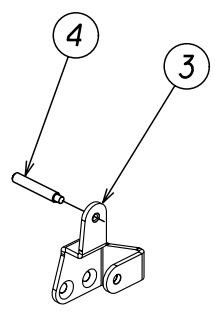
Ref	PARTS NUMBER	DESCRIPTION	
512	B1-55A02A-41	Chain looper tension adjuster unit	

2-1-1 FACE COVER & COVERS

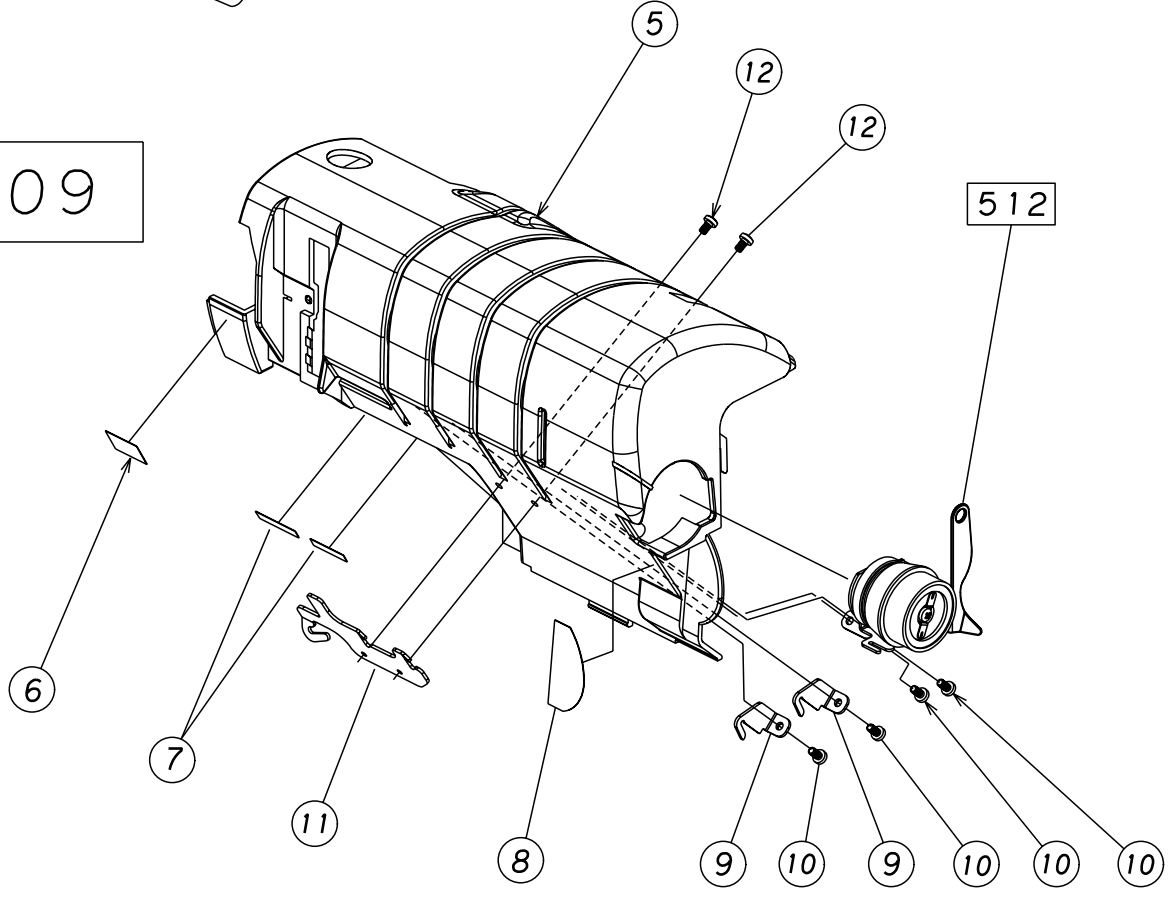
507



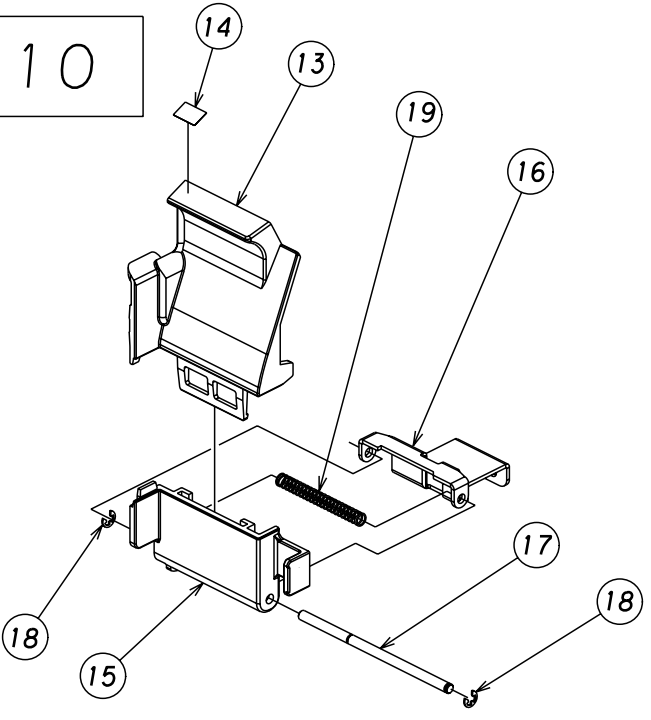
508



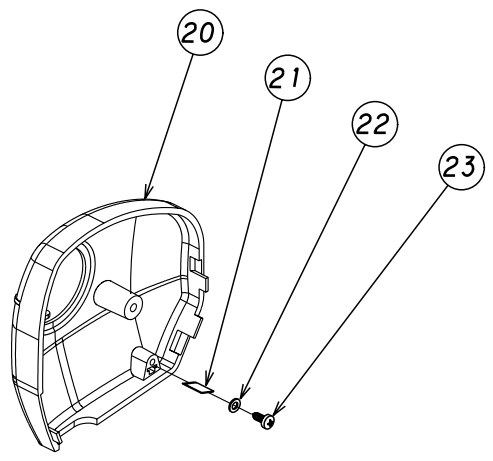
509



510



560



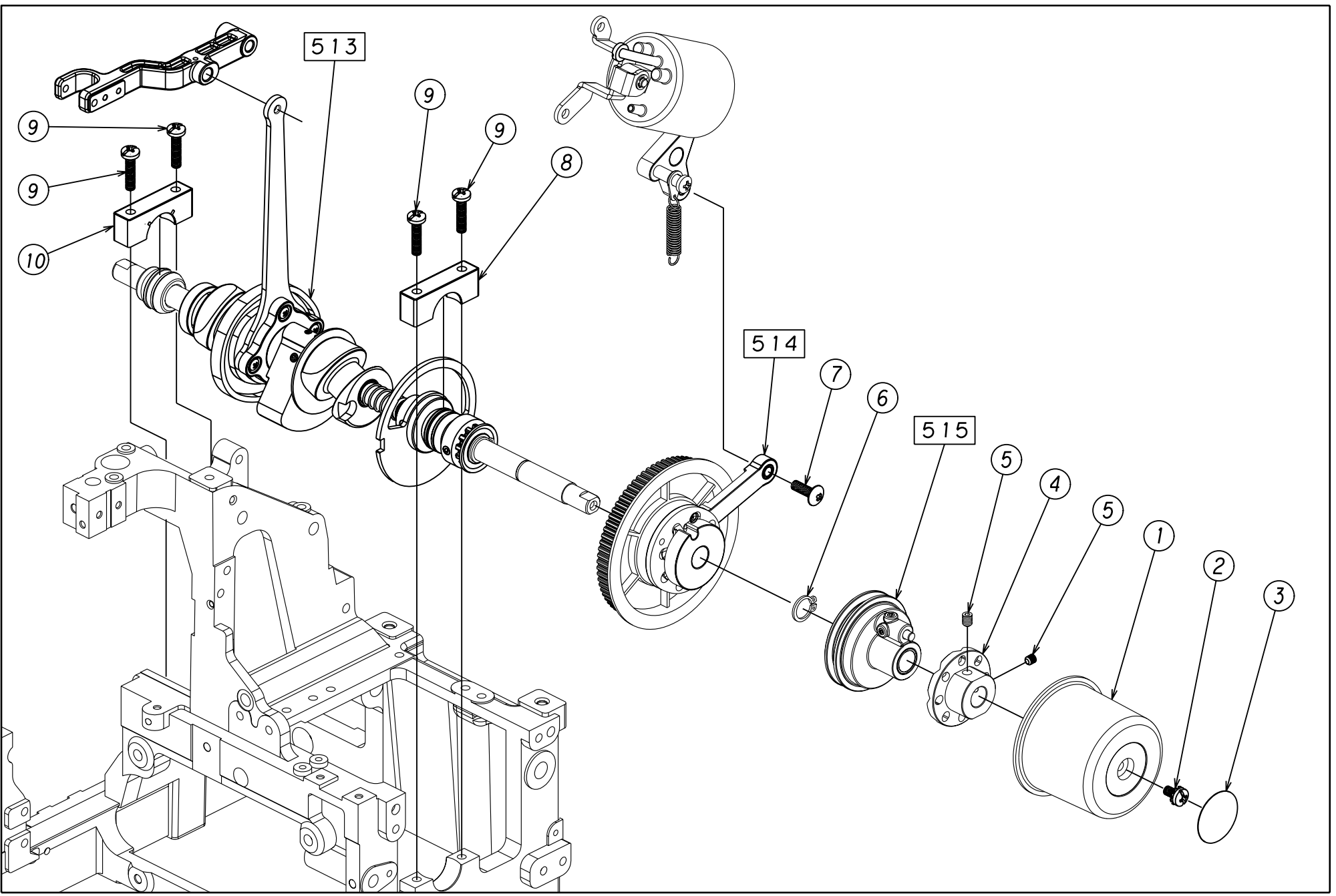
[3-1]

MACHINE PULLEY COMPONENTS

Ref	PARTS NUMBER	DESCRIPTION			
			USA	Europe UK Australia NZ	CANADA
1	B1-03002A-41	Pulley	1		
2	SM4008E3K6	Screw	1		
3	B1224-01B-41	Pulley seal	1		
4	B1-44014A-DY	Clutch plate	1		
5	SM4008WY	Screw	2		
6	RC100EP	C-ring	1		
7	SM4014T3K	Screw	1		
8	B0105-01A	Bush cap (light)	1		
9	SM4020NY	Screw	4		
10	B0105-02A	Bush cap (left)	1		

Ref	PARTS NUMBER	DESCRIPTION	
513	B1-03A01A-DD	Driving shaft set	
514	B1-44A01A-DD	Belt wheel set	
515	B1-44A02A-DD	Clutch set	

3-1 MACHINE PULLEY COMPONENTS

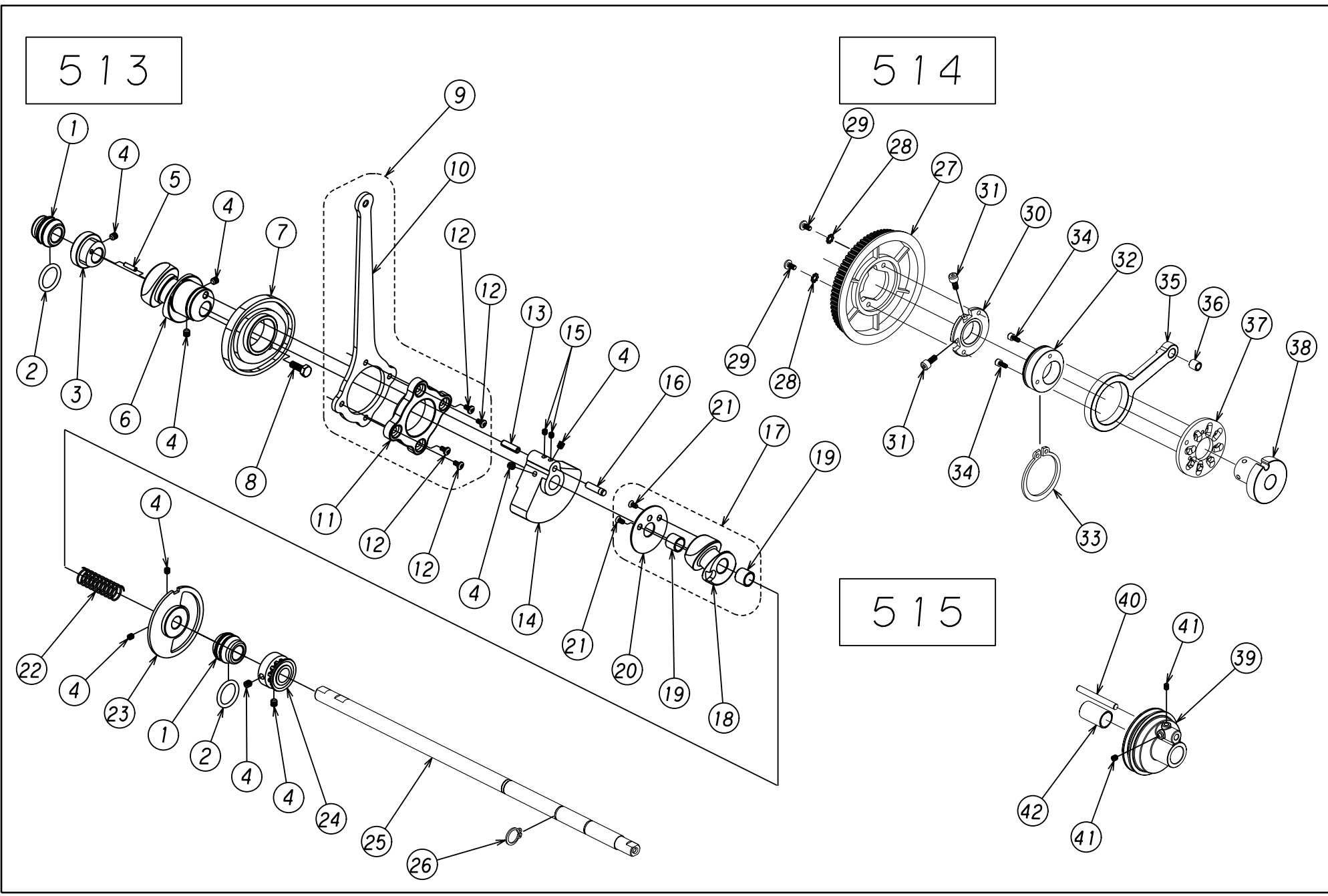


[3-1-1]

MACHINE PULLEY COMPONENTS

Ref	PARTS NUMBER	DESCRIPTION			
			USA	Europe UK Australia NZ	CANADA
513	B1-03A01A-DD	Driving shaft set	X		
1	B1305-01A	Driving shaft bush	2		
2	B1392-01A	O-ring	2		
3	B2640-03A	Chain looper driving cam	1		
4	SM4004FY	Screw	9		
5	PW2510W	Pin	1		
6	B2542-08A	Lower looper driving cam	1		
7	B2642-01C	Chain looper thread take-up cam	1		
8	SM4012BP	Screw	1		
9	B1600A03A	Needle driving rod set	1		
10	B1620-06A-A	Needle driving rod	1		
11	B1626-03A	Driving rod holder	1		
12	SM3006E3K	Screw	4		
13	PW4014W	Pin	1		
14	B1627-01B	Balancer	1		
15	SM3003FY	Screw	2		
16	B2455-03A-OY	Pin	1		
17	B2476A02A	Upper looper driving cam set	1		
18	B2442-07A	Upper looper driving cam	1		
19	B2405-02B	Bush	2		
20	B2421-04A-P	Upper looper driving cam connecting plate	1		
21	SM3006KK	Screw	2		
22	B1350-01A	Spring	1		
23	B5820S01A-P	Machine engaging plate set	1		
24	B6778T02A	Timing pulley	1		
25	B1-03004A-DD	Driving shaft	1		
26	RC100EP	C-ring	1		
514	B1-44A01A-DD	Belt wheel set	X		
27	B1-03001A-00	Belt wheel	1		
28	WT3065053K	Washer	2		
29	SM3006Z3K	Screw	2		
30	B1-03003A-JD	Belt wheel base	1		
31	SM3006CY	Screw	2		
32	B1-42015A-DD	Pump driving cam	1		
33	RC300EP	C-ring	1		
34	SM2506CY	Screw	2		
35	B1-42006A-DD	Pump driving rod	1		
36	B1-42014A-PD	Spacer	1		
37	B1-44001A-PY	Pump driving cam	1		
38	B1-44015A-DD	Belt wheel base	1		
515	B1-44A02A-DD	Clutch set	X		
39	B1-44003A-DD	Clutch sleeve	1		
40	B1-44013A-DY	Clutch pin	1		
41	SM3004WY	Screw	2		
42	LFB-1020	Bush	1		

3-1-1 MACHINE PULLEY COMPONENTS



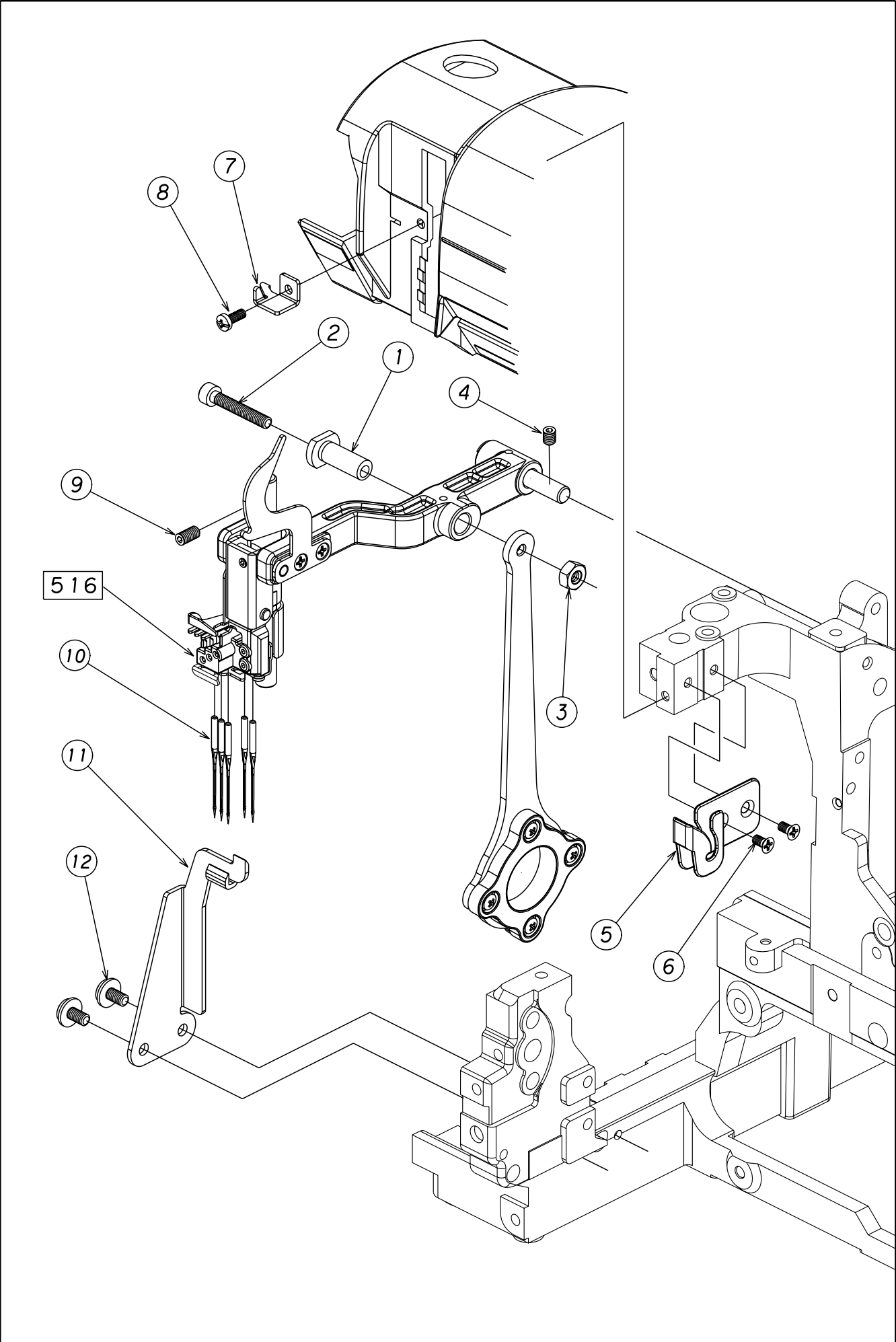
[4-1]

NEEDLE BAR COMPONENTS

Ref	PARTS NUMBER	DESCRIPTION			
			USA	Europe UK Australia NZ	CANADA
1	B1604-01A-0Y	Needle height adjuster	1		
2	SM4025CY	Screw	1		
3	NM40H13K	Nut	1		
4	SM4005WY	Screw	1		
5	B1821-01C-C	Thread take-up guide plate	1		
6	SM3006K3K	Screw	2		
7	B1821-02B-C	Overlock thread take-up guide	1		
8	SM3008Z3K	Screw	1		
9	SM4008FY	Screw	1		
10	B2013-05A	Organ ELx705CF needle #14/90	5		
11	B3821-05C-PY	Front & back needle guard	1		
12	SM4008E3K7	Screw	2		

Ref	PARTS NUMBER	DESCRIPTION	
516	B1900A12A	Needle driving arm set	

4-1 NEEDLE BAR COMPONENTS



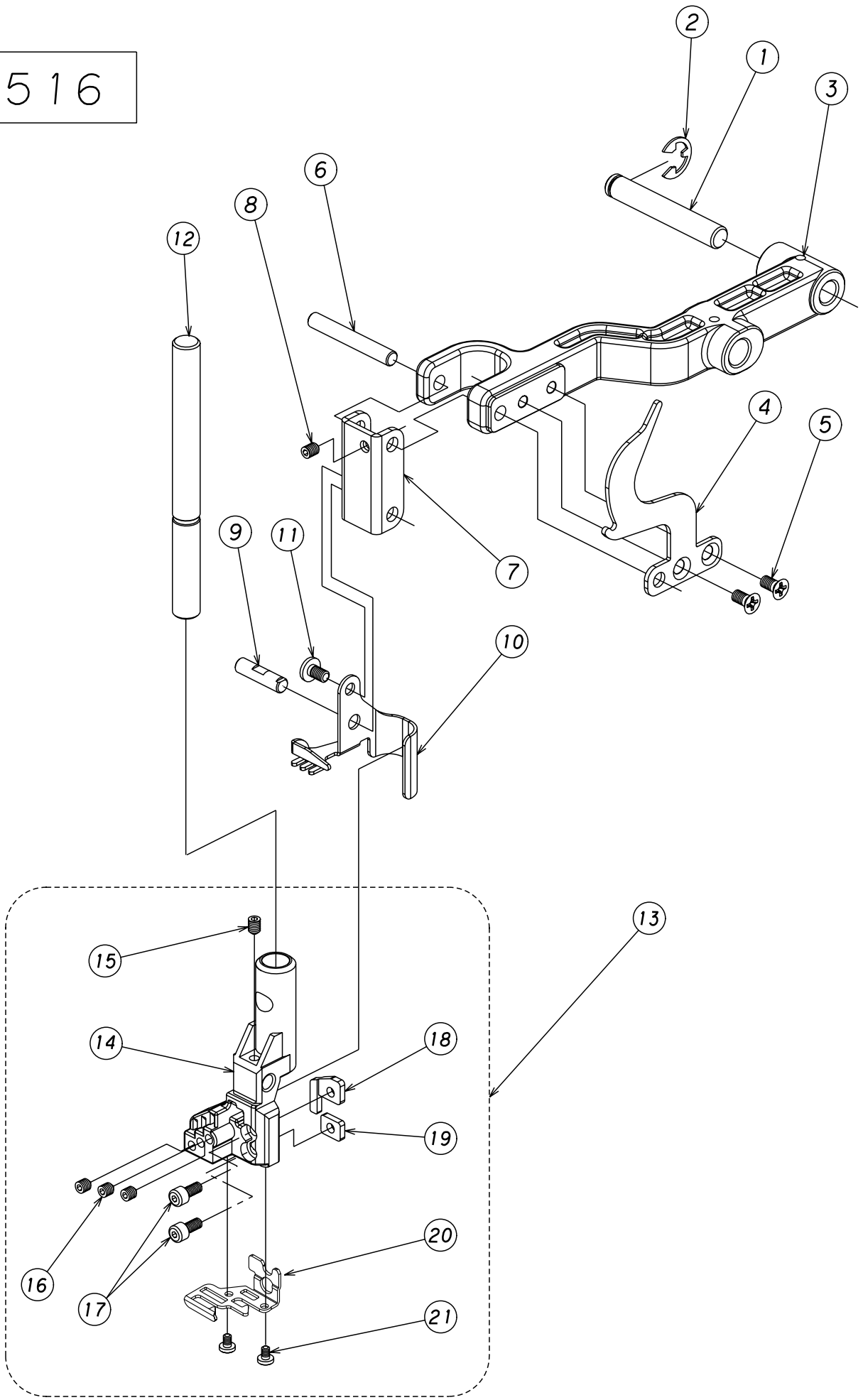
[4-1-1]

NEEDLE BAR COMPONENTS

Ref	PARTS NUMBER	DESCRIPTION			
			USA	Europe UK Australia NZ	CANADA
516	B1900A12A	Needle driving arm set	X		
1	B1603-01A-PY	Needle driving arm shaft	1		
2	RE050-P	E-ring	1		
3	B1615-02B	Needle driving arm	1		
4	B1820-02A-N	Needle thread take-up	1		
5	SM3006K3K	Screw	2		
6	B1603-02A-PY	Connecting pin	1		
7	B1661-01E-3K	Needle clamp link	1		
8	SM3004WY	Screw	1		
9	B1603-05A-PY	Needle clamp link pin	1		
10	B1923-03A-N	Needle clamp thread protector	1		
11	SM3005Z3K	Screw	1		
12	B1903-02A-PY	Needle bar	1		
13	B1925A02A	Needle clamp holder set	1		
14	B1901-05B-C	Needle clamp holder	1		
15	SM3004FY	Screw	1		
16	SM3004VY	Screw	3		
17	SM2606CY	Screw	2		
18	B1920-05A-PY	Needle fixing screw holder plate (left)	1		
19	B1920-04A-PY	Needle fixing screw holder plate (right)	1		
20	B1921-09A-C	Clamp holder thread guide	1		
21	SC2030NY	Screw	2		

4-1-1 NEEDLE BAR COMPONENTS

516



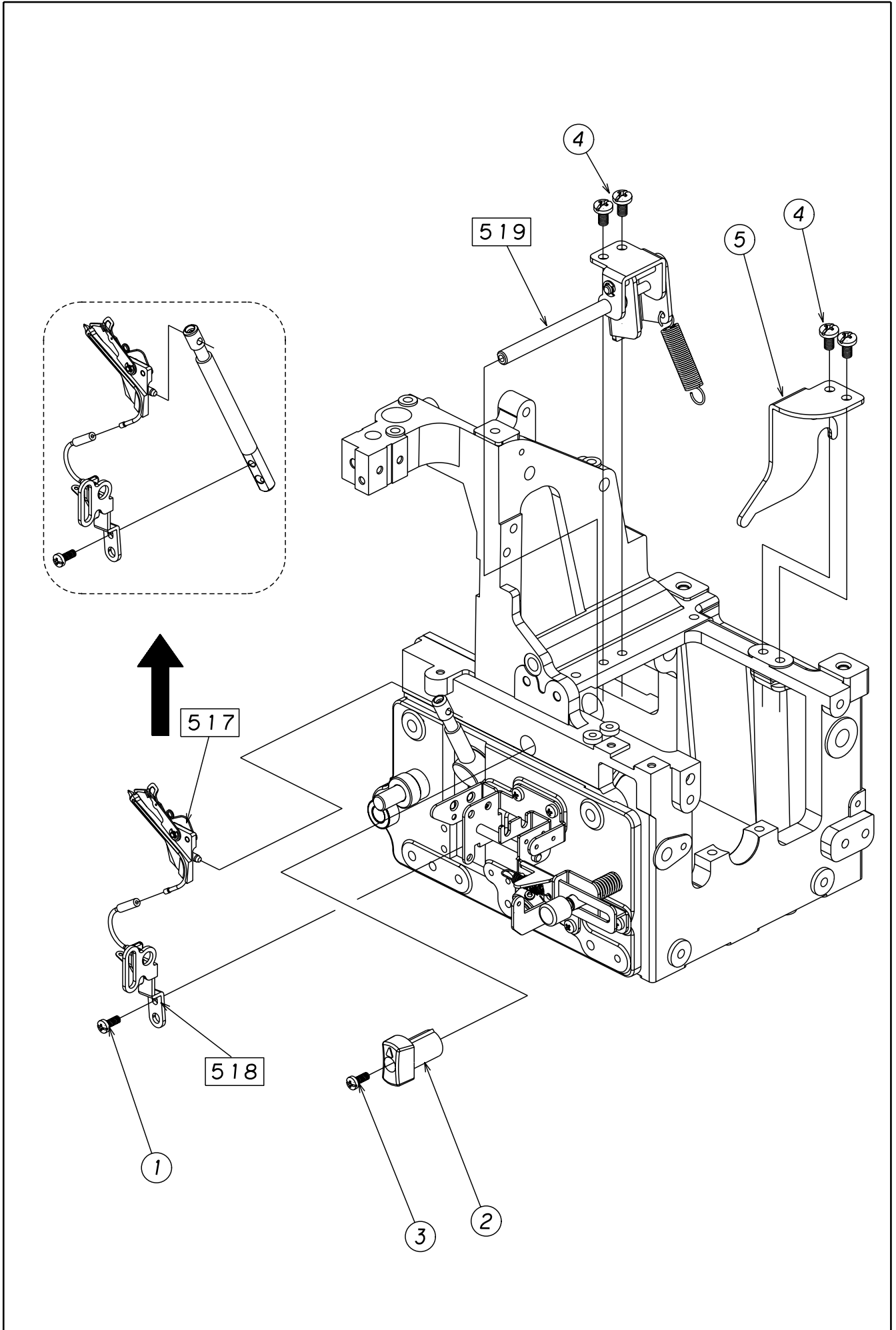
[5-1]

UPPER LOOPER COMPONENTS

Ref	PARTS NUMBER	DESCRIPTION			
			USA	Europe UK Australia NZ	CANADA
1	SM3008ZY	Screw	1	1	
2	B2488-01A-41	Upper looper selector knob	1	1	
3	SM3008Z3K	Screw	1	1	
4	SM4008Z3K	Screw	4	3	
5	B2421-03A-P	Upper looper cam holding plate	1	1	

Ref	PARTS NUMBER	DESCRIPTION	
517	B2201A03B	Upper looper set	
518	B6221A02A	Looper thread take-up set	
519	B2474A01A	Cam separating plate set	

5-1 UPPER LOOPER COMPONENTS



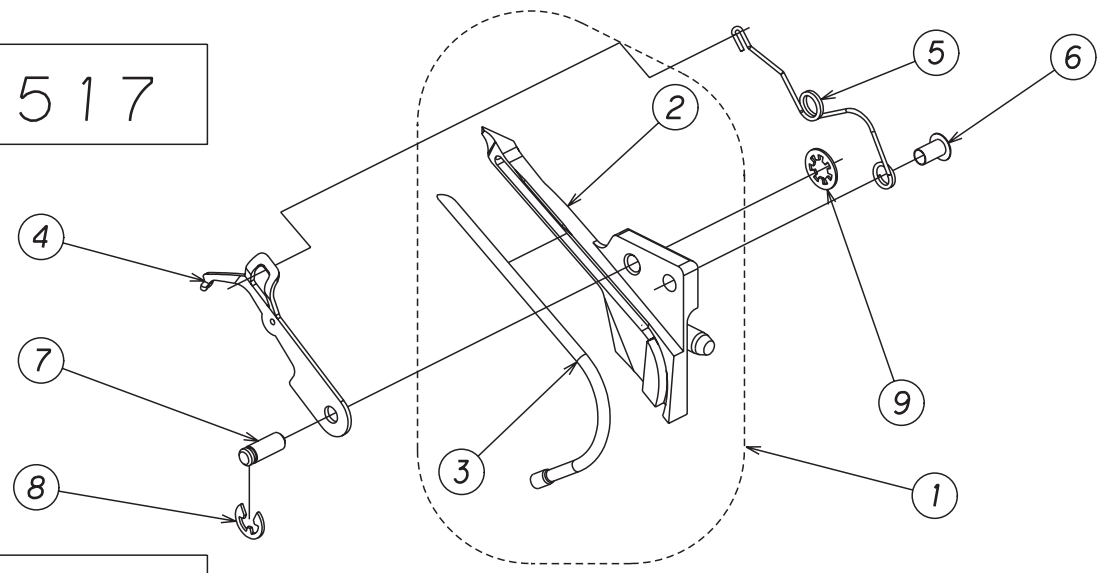
[5-1-1]

UPPER LOOPER COMPONENTS

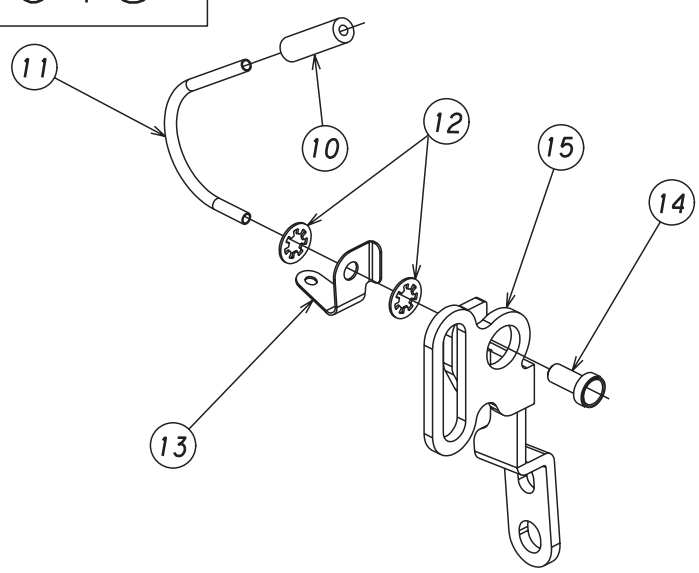
Ref	PARTS NUMBER	DESCRIPTION			
			USA	Europe UK Australia NZ	CANADA
517	B2201A03B	Upper looper set	X		
1	B2201S05A	Upper looper	1		
2	B2201T04B-0Y	Upper looper base	1		
3	B2211T03A	Tube	1		
4	B2321-02B-PY	Subsidiary looper	1		
5	B2354-01A	Subsidiary looper spring	1		
6	HH38254	Spacer	1		
7	B2303-01A-P	Subsidiary looper pin	1		
8	RE020-3K	E-ring	1		
9	RP024EP	Push ring	1		
518	B6221A02A	Looper thread take-up set	X		
10	B5836-02A	Holding rubber pipe	1		
11	B2411-03A	Upper looper threading joint pipe	1		
12	RP024EP	Push ring	2		
13	B2420-02A-PY	Joint pipe fixing plate	1		
14	B5825-08A	Threading pipe joint	1		
15	B6221-03A-C	Looper thread take-up	1		
519	B2474A01A	Cam separating plate set	X		
16	B2421-01A-P	Separating plate holder	1		
17	B2455-02A	Joint pin	1		
18	RE030-3K	E-ring	2		
19	WP4008M3K	Washer	1		
20	B2421-02B-P	Cam separating plate	1		
21	B1351-01A	Spring	1		
22	B4340-01A-N	Selector cam	1		
23	SM3004WY	Screw	1		
24	B2403-04A-P	Selector shaft	1		

5-1-1 UPPER LOOPER COMPONENTS

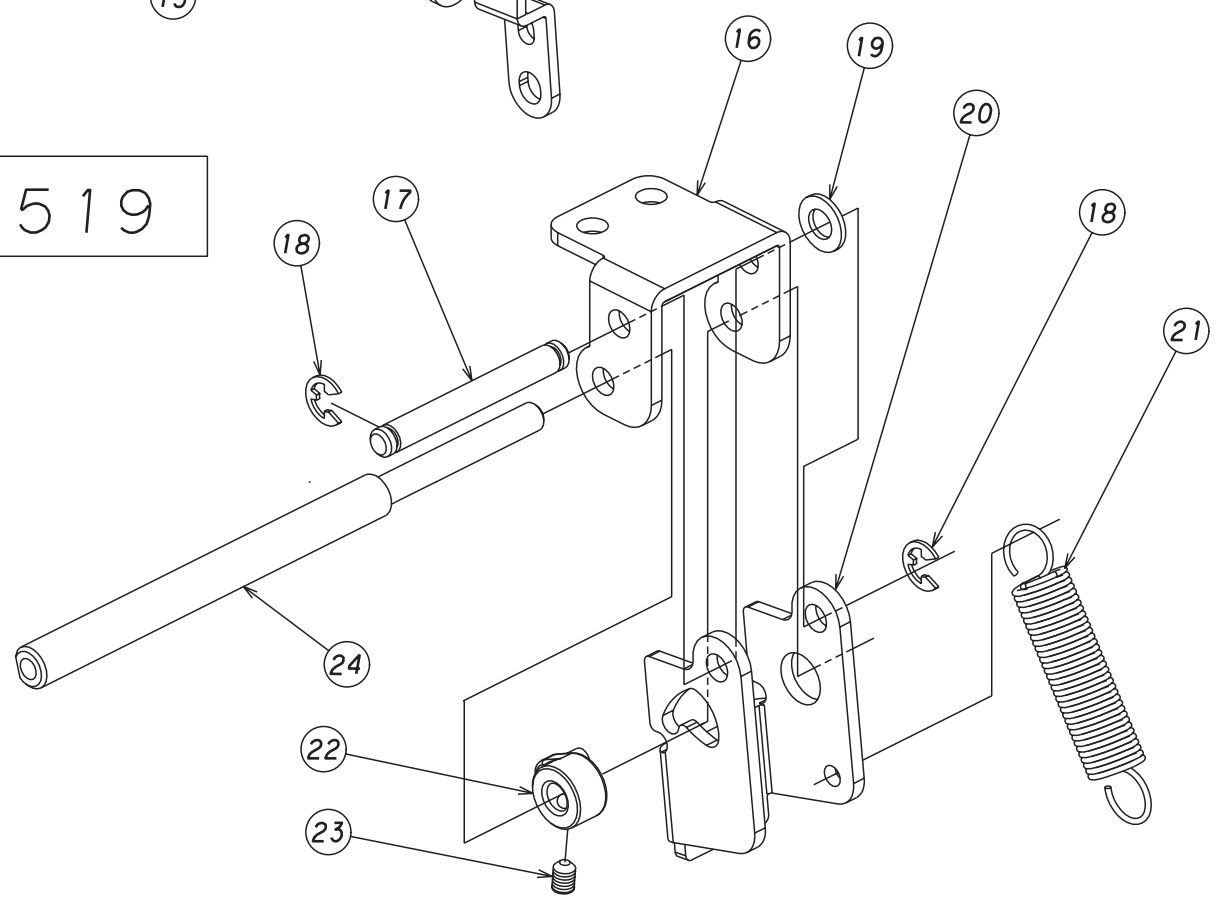
517



518



519

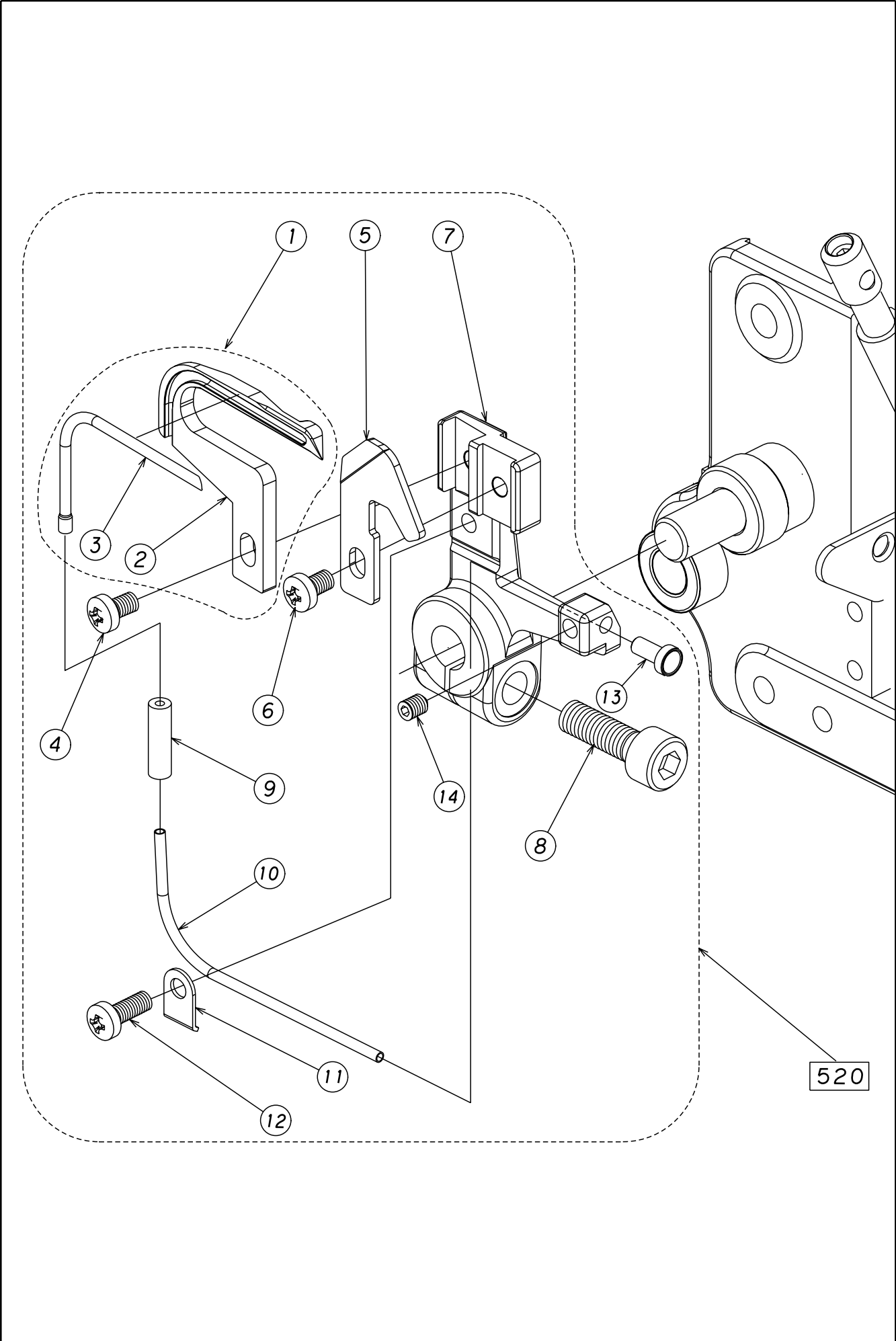


[6-1]

LOWER LOOPER COMPONENTS

Ref	PARTS NUMBER	DESCRIPTION			
			USA	Europe UK Australia NZ	CANADA
520	B2501A02A	Lower looper set	X		
1	B2202S03A	Lower looper	X		
2	B2202T02A-0Y	Lower looper base	1		
3	B2211T02B	Tubu	1		
4	SM3008ZY	Screw	1		
5	B3821-03A-PY	Overlock back needle guard	1		
6	SM3005Z3K	Screw	1		
7	B2530-04A	Lower looper arm	1		
8	SM5016CY	Screw	1		
9	B5836-02A	Holding rubber pipe	1		
10	B2511-02A	Lower looper arm pipe	1		
11	B2520-01A-P	Joint pipe fixing plate	1		
12	SM3005Z3K	Screw	1		
13	B5825-08A	Threading pipe joint	1		
14	SM3004WY	Screw	1		

6-1 LOWER LOOPER COMPONENTS



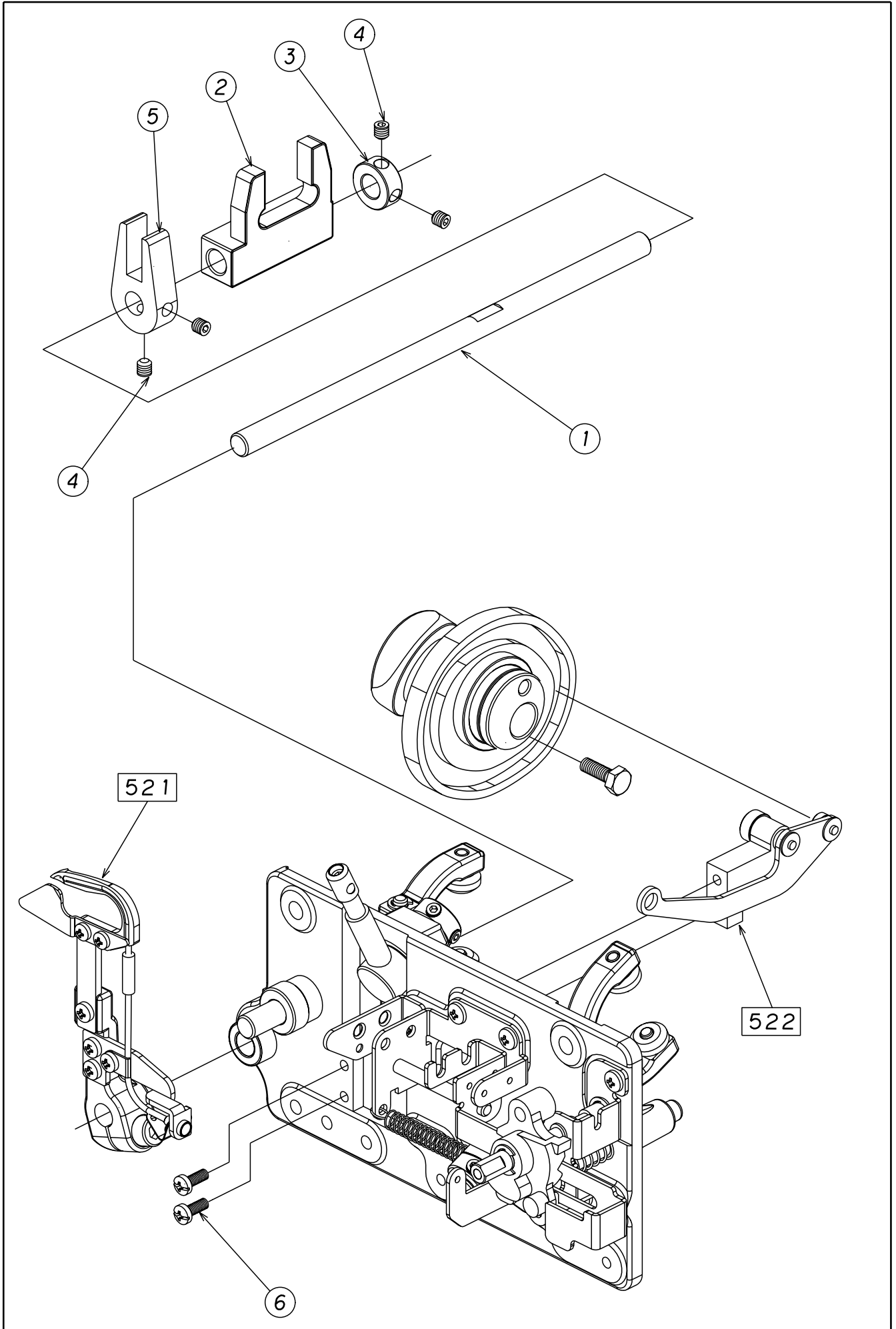
[7-1]

CHAIN LOOPER COMPONENTS

Ref	PARTS NUMBER	DESCRIPTION			
			USA	Europe UK Australia NZ	CANADA
1	B2603-01A	Chain looper shaft	1		
2	B2683-04A	Chain looper driving fork	1		
3	B8835-02A-P	Thrust collar	1		
4	SM4004FY	Screw	4		
5	B2683-02A	Chain looper connecting fork	1		
6	SM3008ZY	Screw	2		

Ref	PARTS NUMBER	DESCRIPTION	
521	B2601A01A	Chain looper set	
522	B1801B01A	Chain looper set thread take-up set	

7-1 CHAIN LOOPER COMPONENTS



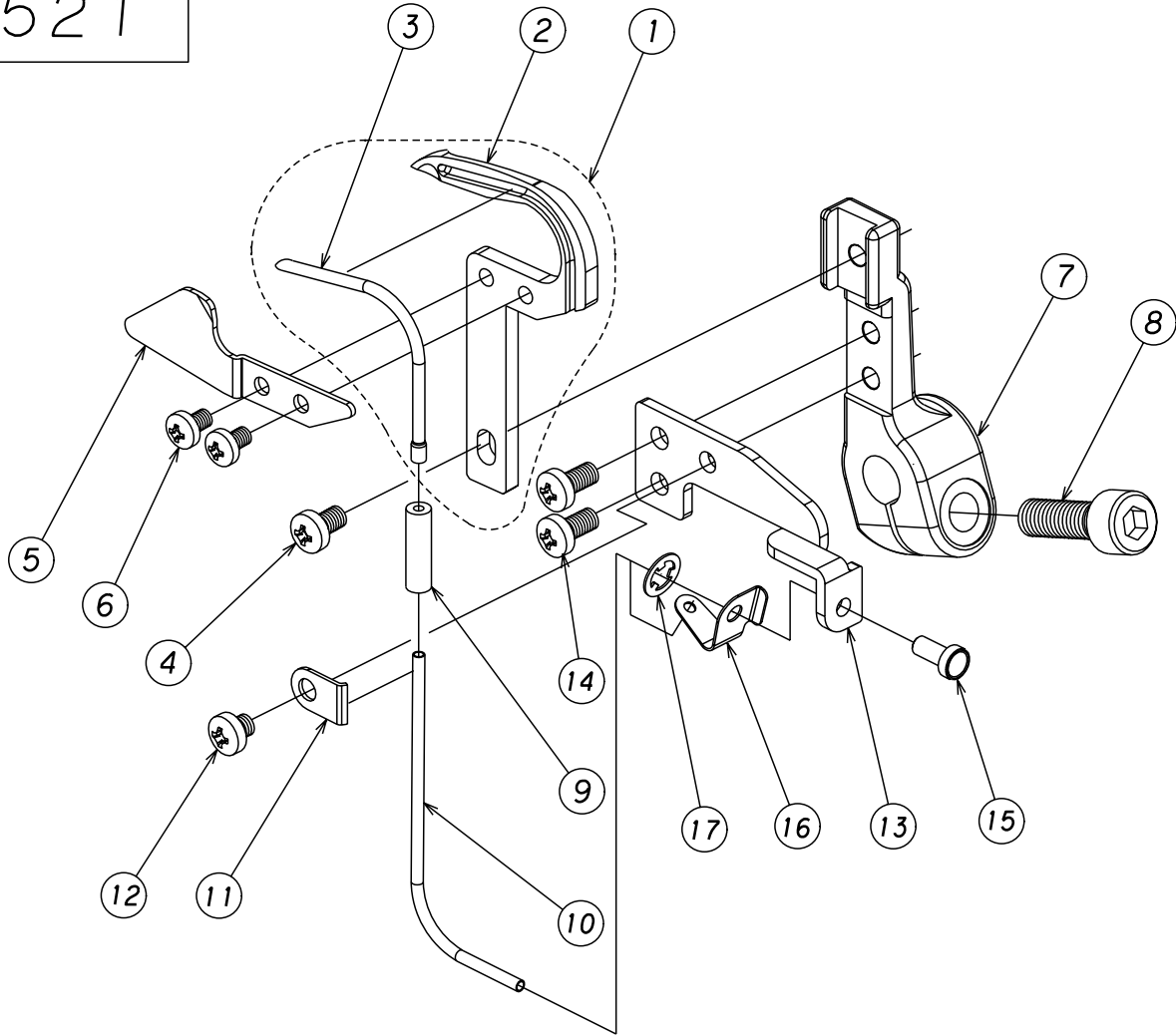
[7-1-1]

CHAIN LOOPER COMPONENTS

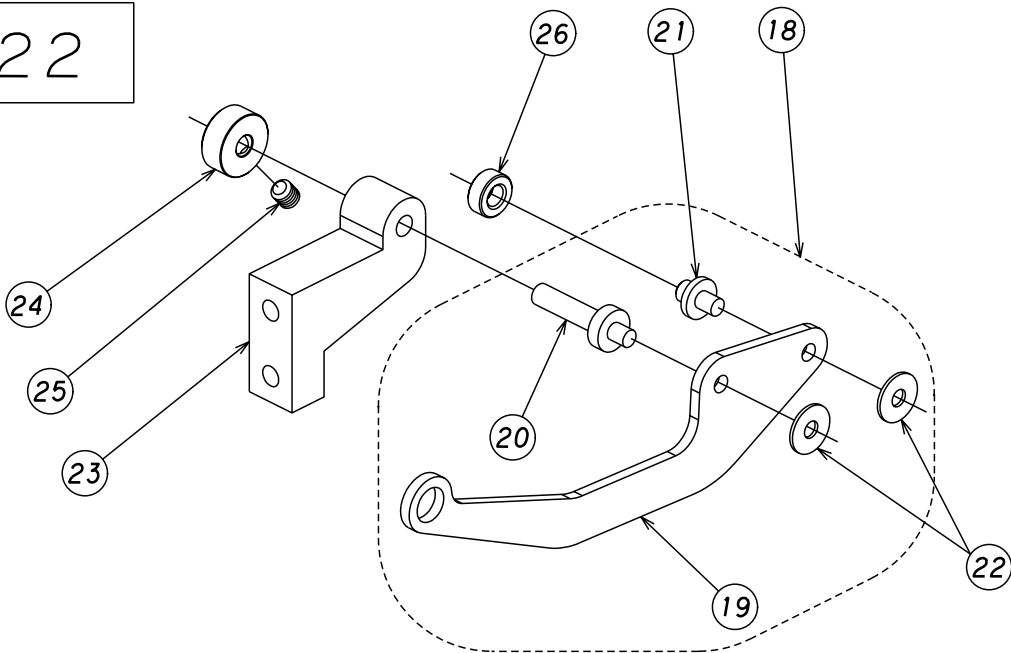
Ref	PARTS NUMBER	DESCRIPTION			
			USA	Europe UK Australia NZ	CANADA
521	B2601A01A	Chain looper set	X		
1	B2203S01A	Chain looper	X		
2	B2203T01A-OY	Chain looper base	1		
3	B2211T04A	Tube	1		
4	SM3006ZY	Screw	1		
5	B3821-04A-PY	Chain looper front needle guard	1		
6	SM2504N3K	Screw	2		
7	B2630-01A	Chain looper arm	1		
8	SM5016CY	Screw	1		
9	B5836-02A	Holding rubber pipe	1		
10	B2611-01A	Chain looper arm pipe	1		
11	B2520-01A-P	Joint pipe fixing plate	1		
12	SM3003N3K	Screw	1		
13	B2320-01A-3K	Joint pipe holding plate	1		
14	SM3006Z3K	Screw	2		
15	B5825-08A	Threading pipe joint	1		
16	B2420-02A-PY	Joint pipe fixing plate	1		
17	RS024EP	Push ring	1		
522	B1801B01A	Chain looper set thread take-up set	X		
18	B1820A01A	Chain looper thread take-up	X		
19	B1820-04A-C	Chain looper thread take-up base	1		
20	B1803-03B-P	Pin	1		
21	B1803-02B-P	Pin	1		
22	WP230705M3K	Washer	2		
23	B2625-01A	Thread take-up base plate	1		
24	B8835-05A-P	Thrust collar	1		
25	SM3003FY	Screw	1		
26	B1887-01A	Roller	1		

7-1-1 CHAIN LOOPER COMPONENTS

521



522



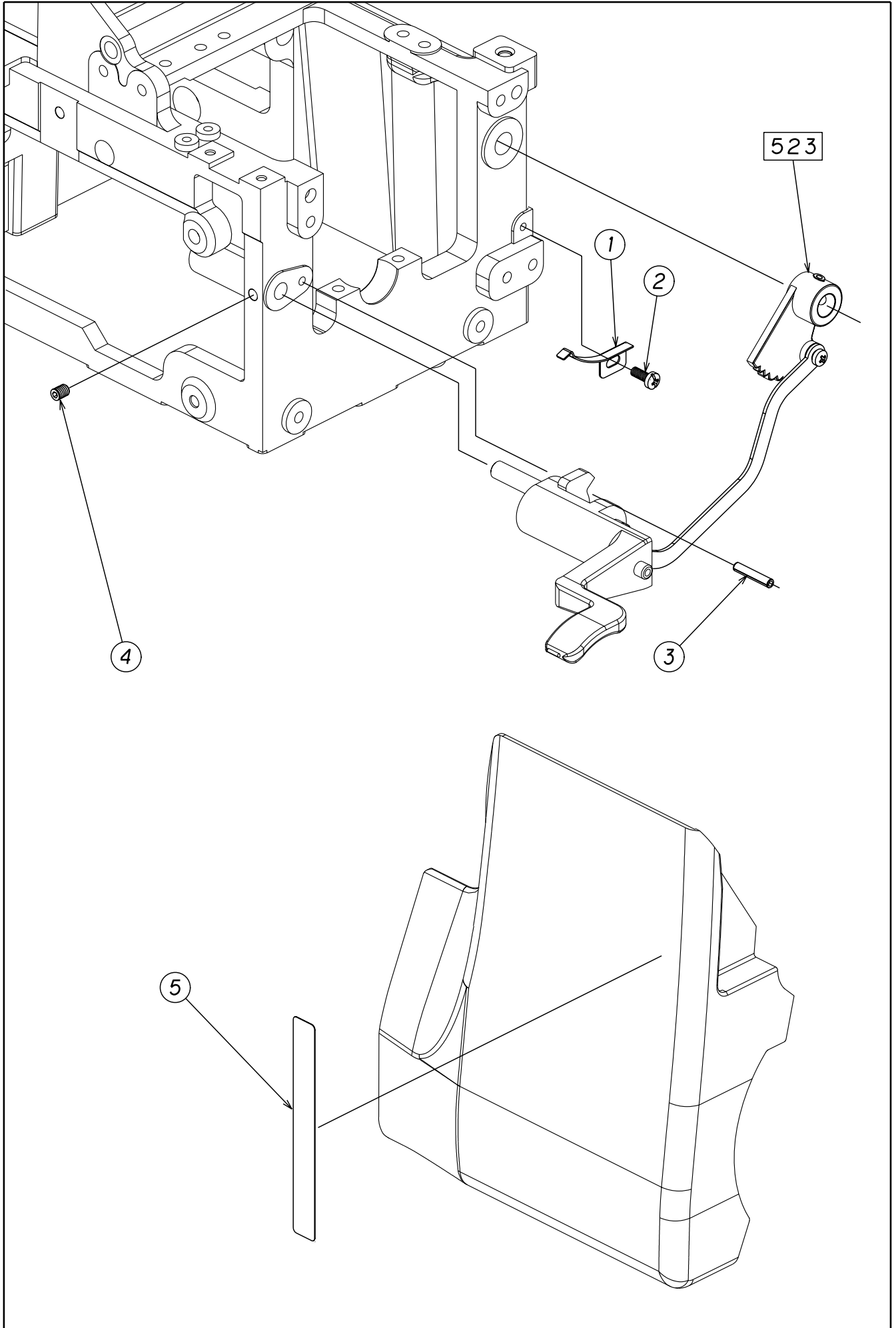
[8-1]

DIFFERENTIAL LEVER COMPONENTS

Ref	PARTS NUMBER	DESCRIPTION			
			USA	Europe UK Australia NZ	CANADA
1	B3453-01A-PY	Ratchet stopper spring	1		
2	SM3006N3K	Screw	1		
3	PS3018WP	Pin	1		
4	SM4006FY	Screw	1		
5	B3424-05A	Differential feed range seal	1		

Ref	PARTS NUMBER	DESCRIPTION	
523	B1-24A01A-41	Differential feed lever set	

8-1 DIFF. LEVER COMPONENTS



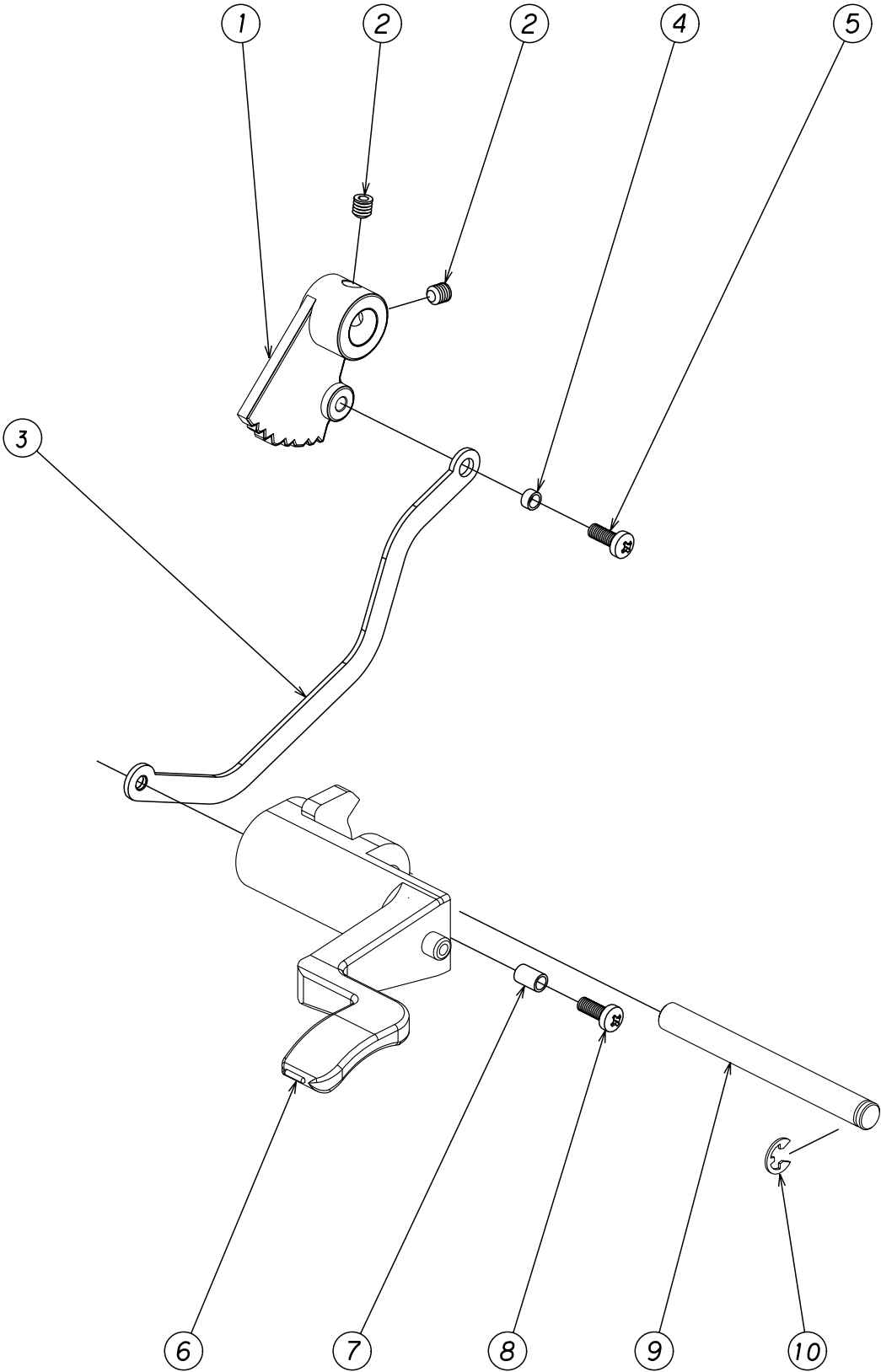
[8-1-1]

DIFFERENTIAL LEVER COMPONENTS

Ref	PARTS NUMBER	DESCRIPTION			
			USA	Europe UK Australia NZ	CANADA
523	B1-24A01A-41	Differential feed lever set	X		
1	B3415-03A	Differential feed positioning ratchet	1		
2	SM4004WY	Screw	2		
3	B3420-03A-A	Differential feed lever link	1		
4	SP30023K	Spacer	1		
5	SM3006N3K	Screw	1		
6	B1-24001A-41	Differential feed adjusting lever	1		
7	SP30043K	Spacer	1		
8	SM3006N3K	Screw	1		
9	B1-24002B-JD	Differential feed lever shaft	1		
10	RE040-3K	E-ring	1		

8-1-1 DIFF. LEVER COMPONENTS

523



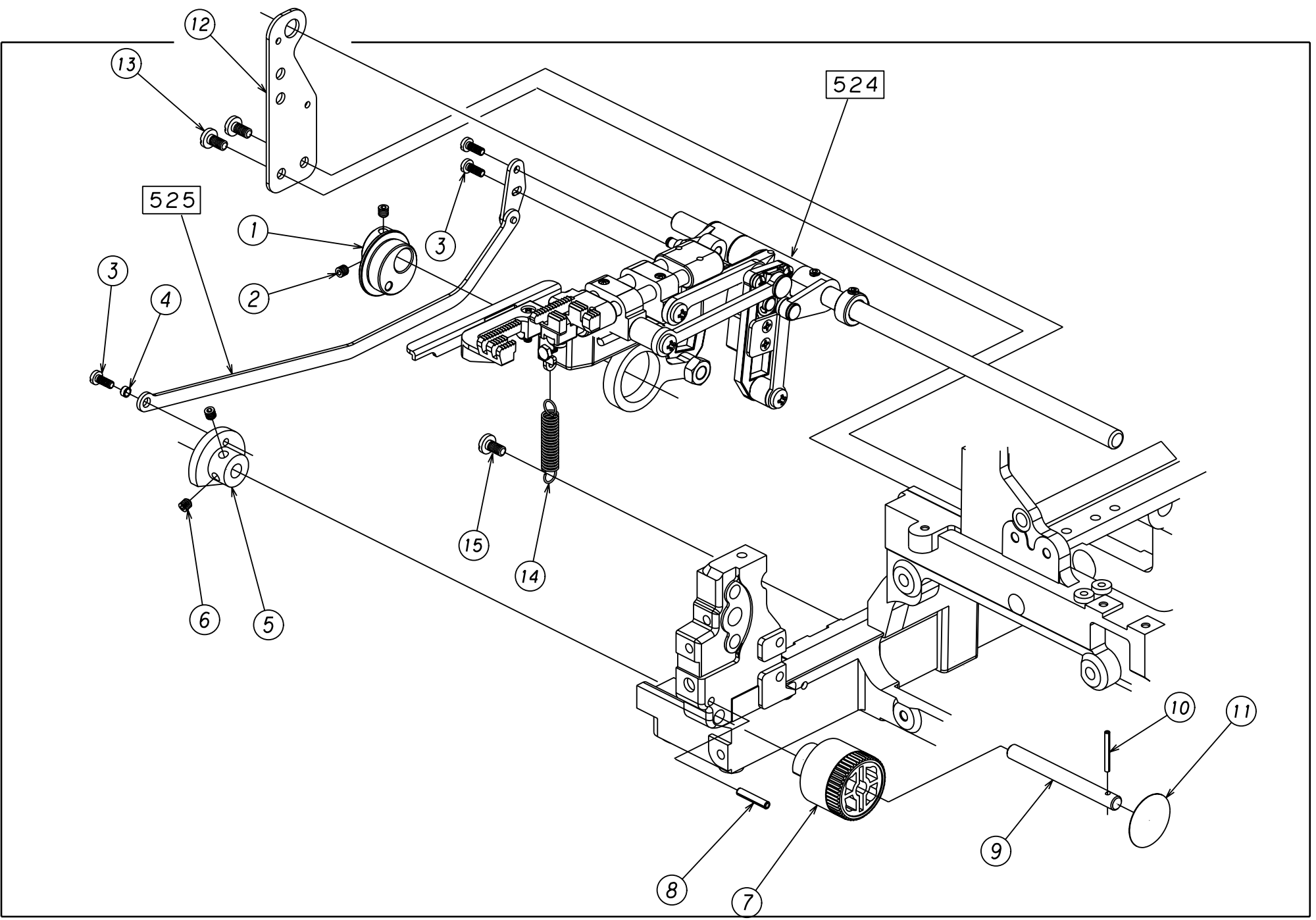
[9-1]

DIFFERENTIAL FEED & STITCH LENGTH COMPONENTS

Ref	PARTS NUMBER	DESCRIPTION			
			USA	Europe UK Australia NZ	CANADA
1	B2940-01A	Feed dog driving cam	1		
2	SM4004FY	Screw	2		
3	SM3008Z3K	Screw	3		
4	SP30023K	Spacer	1		
5	B3125-02A	Stitch length positioning ratchet	1		
6	SM4004FY	Screw	2		
7	B3189-04A-41	Stitch length dial	1		
8	PS3512WP	Pin	1		
9	B3103-01A-3K	Stitch length dial shaft	1		
10	PS2018WP	Pin	1		
11	B3124-01B-41	Stitch length dial seal	1		
12	B2920-03B-P	Feed arm shaft plate	1		
13	SM4008Z3K	Screw	2		
14	B2951-03A	Spring	1		
15	SM4010N3K	Screw	1		

Ref	PARTS NUMBER	DESCRIPTION	
524	B1-24A02A-DD	Differential feed system unit	
525	B3120S01A	Stitch length adjusting link	

9-1 DIFF. FEED & STITCH LENGTH COMPONENTS

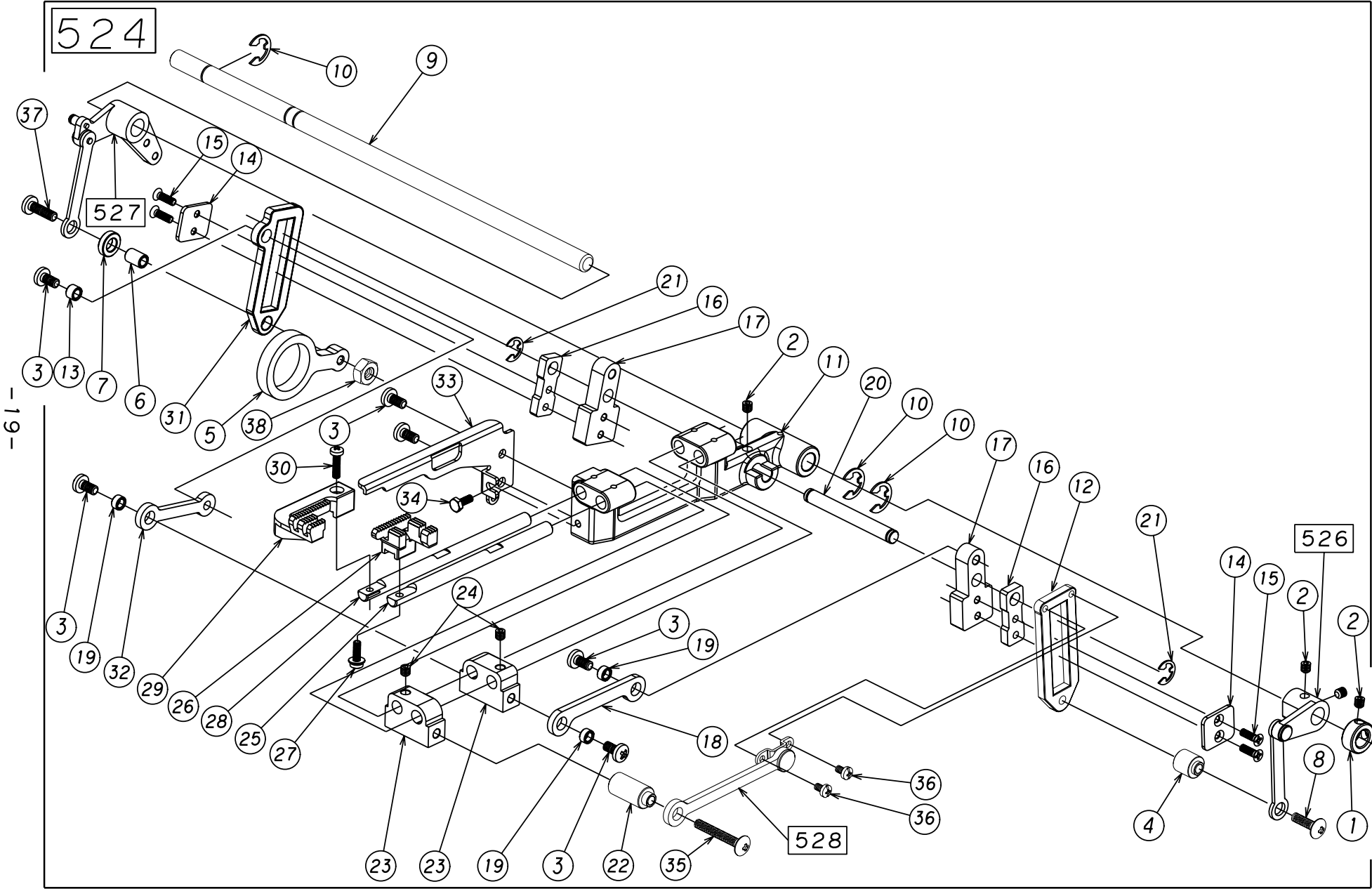


[9-1-1]

DIFFERENTIAL FEED & STITCH LENGTH COMPONENTS

Ref	PARTS NUMBER	DESCRIPTION			
			USA	Europe UK Australia NZ	CANADA
524	B1-24A02A-DD	Differential feed system unit	X		
1	B8835-04A-P	Thrust collar	1		
2	SM4004FY	Screw	5		
3	SM4008Z3K	Screw	6		
4	B3337-02A-P	Spacer	1		
5	B2912-01A	Feed rod	1		
6	B8837-01A-P	Spacer	1		
7	B8837-06A-P	Spacer	1		
8	SM4018T3K	Screw	1		
9	B1-24004A-DD	Feed arm shaft	1		
10	RE070-P	E-ring	3		
11	B2930-04A	Feed arm	1		
12	B3325-04A	Feed dog slider	1		
13	B8837-03A-P	Spacer	1		
14	B2920-04A-P	Side cover stopper	2		
15	SM3010K3K	Screw	4		
16	B2986-01A	Feed dog sliding block	2		
17	B2915-02A	Sub-feed dog driving arm	2		
18	B3361-02A-P	Feed dog connecting link	1		
19	B8837-04A-P	Spacer	3		
20	B2903-01B-OY	Driving arm shaft	1		
21	RE050-P	E-ring	2		
22	B3337-03A-P	Spacer	1		
23	B2925-02B	Feed dog driving block	2		
24	SM4004WY	Screw	2		
25	B2903-11A	Main feed dog shaft	1		
26	B3025-10A-C	Main feed dog	1		
27	SM3010N3K4	Screw	1		
28	B3303-04A	Sub feed dog shaft	1		
29	B3025-11A-C	Sub feed dog	1		
30	SM3012N3K	Screw	1		
31	B2925-03A	Main feed dog slider	1		
32	B2961-01A-P	Differential feed joint link	1		
33	B2921-03B-PY	Feed arm plate	1		
34	SM3008BP	Screw	1		
35	SM4028T3K	Screw	1		
36	SM3005N3K	Screw	2		
37	SM4018T3K	Screw	1		
38	NM40H13K	Nut	1		
526	B3415S01A	Feed dog adjusting set	X		
527	B3115S02A	Stitch length adjusting arm set	X		
528	B3300K01A	Differential feed joint link set	X		

9-1-1 DIFF. FEED & STITCH LENGTH COMPONENTS



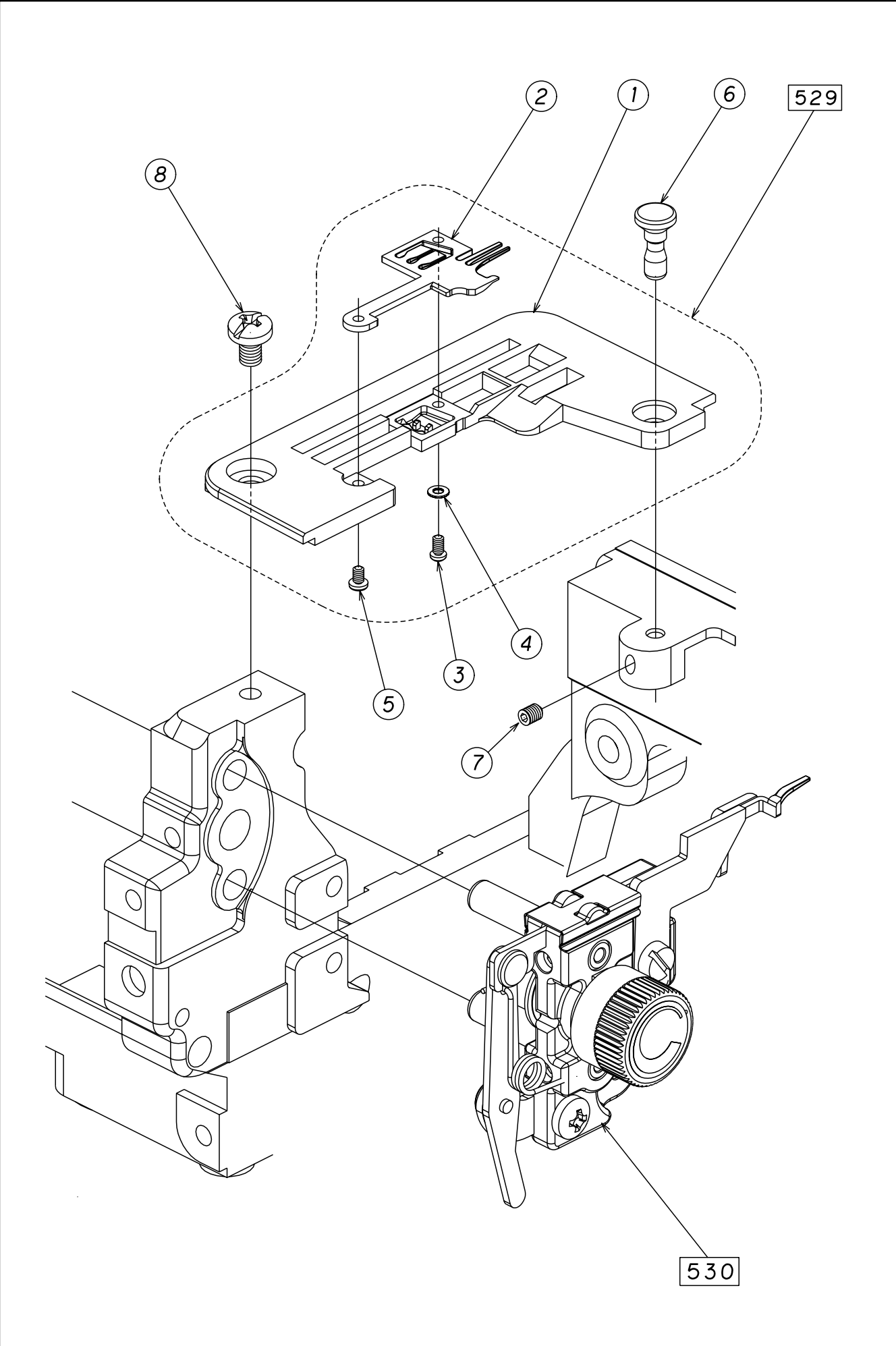
[10-1]

NEEDLE PLATE & STITCH WIDTH COMPONENTS

Ref	PARTS NUMBER	DESCRIPTION			
			USA	Europe UK Australia NZ	CANADA
529	B3720S03A	Needle plate set	X		
1	B3701-03A-C	Needle plate	1		
2	B3721-05B-OY	Needle plate finger	1		
3	SC2035NY	Screw	1		
4	WP2004033K	Washer	1		
5	SC2030NY	Screw	1		
6	B3756-01A-3KY	Needle plate clamp pin	1		
7	SM3004WY	Screw	1		
8	SM4006Z3K	Screw	1		

Ref	PARTS NUMBER	DESCRIPTION	
530	B4700B09A-41	Stitch width adjustment unit	

10-1 NEEDLE PLATE & STITCH WIDTH COMPONENTS



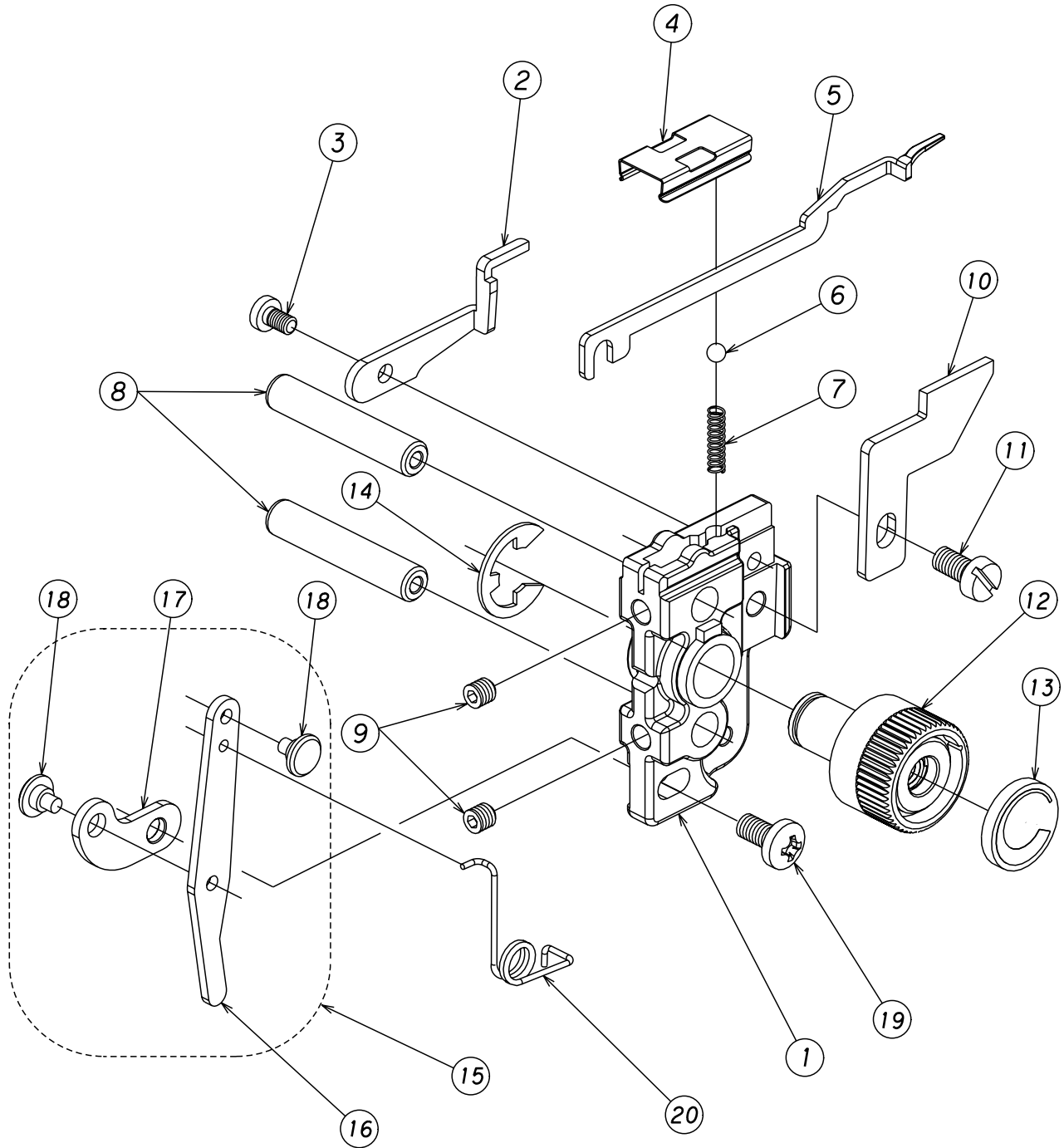
[10-1-1]

NEEDLE PLATE & STITCH WIDTH COMPONENTS

Ref	PARTS NUMBER	DESCRIPTION			
			USA	Europe UK Australia NZ	CANADA
530	B4700B09A-41	Stitch width adjustment unit	X		
1	B4730-02B	Knife holder	1		
2	B4721-03A-PY	Chaining tongue	1		
3	SM3005Z3K	Screw	1		
4	B4770-01A-PY	Chaining tongue plate	1		
5	B4721-04A-PY	Adjusting chaining tongue	1		
6	208-5102-05A	Steel ball	1		
7	B4750-02A	Spring	1		
8	B4755-02A-P	Guide pin	2		
9	SM4004FY	Screw	2		
10	B4471-02C	Lower knife	1		
11	SM4008HS	Screw	1		
12	B4789-01B-41	Stitch width adjusting dial	1		
13	B4789T01A-41	Stitch width dial cap	1		
14	RE080-P	E-ring	1		
15	B4765K02A	Chaining tongue lever set	1		
19	SM4008Z3K	Screw	1		
20	B4752-02A	Spring	1		

10-1-1 NEEDLE PLATE & STITCH WIDTH COMPONENTS

530



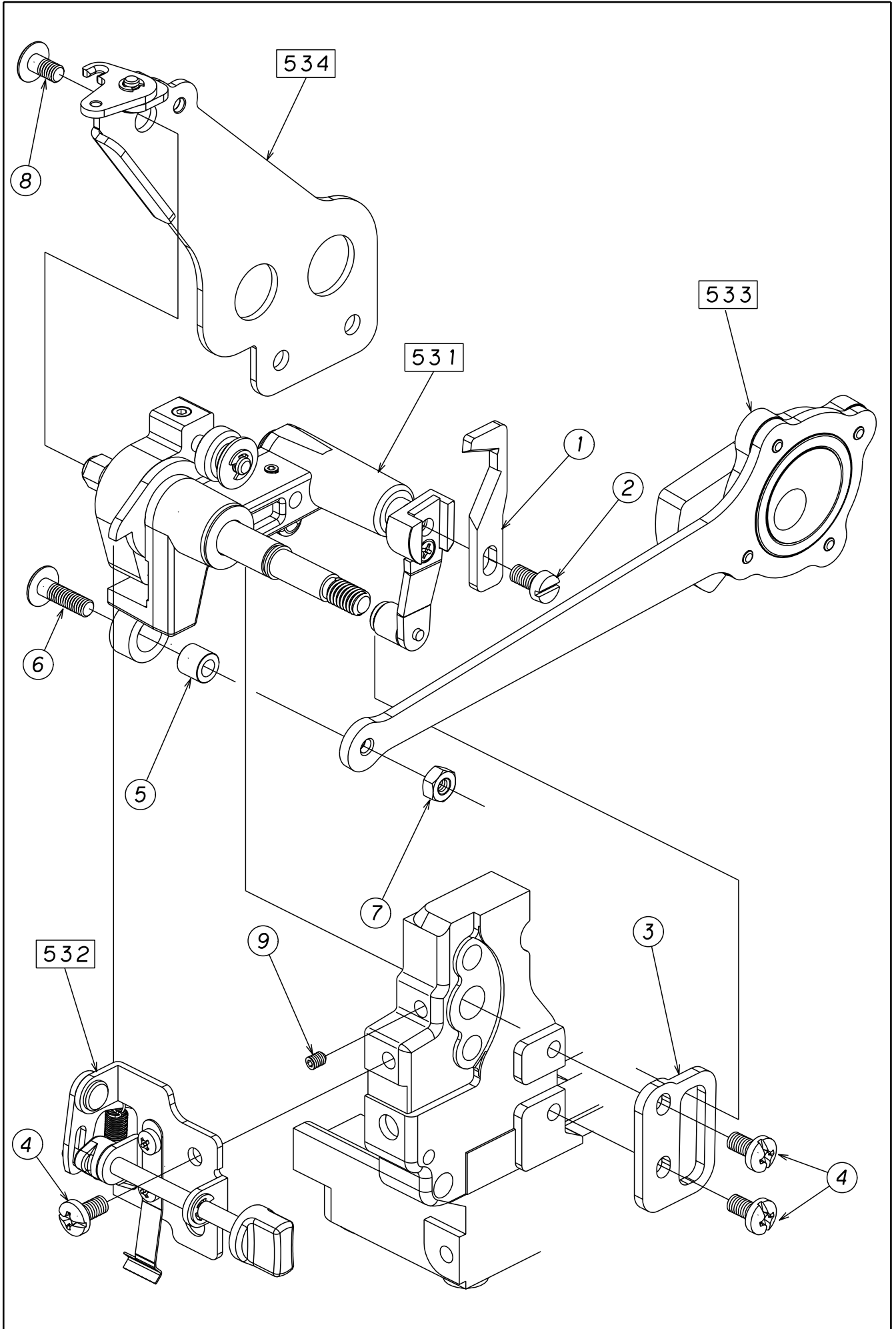
[11-1]

UPPER KNIFE COMPONENTS

Ref	PARTS NUMBER	DESCRIPTION			
			USA	Europe UK Australia NZ	CANADA
1	B4401-03A-OY	Upper knife	1		
2	SM4008HS	Screw	1		
3	B4220-07A-PN	Knife guide plate	1		
4	SM4008ZU	Screw	3		
5	B8837-05A-P	Spacer	1		
6	SM4014TK	Screw	1		
7	NM40H1K	Nut	1		
8	SM4006TK	Screw	1		
9	SM4006WY	Screw	1		
534	B4220S03A	Feed arm shaft plate set	1		

Ref	PARTS NUMBER	DESCRIPTION	
531	B4200B09A	Knife driving unit	
532	B4300B03A-41	Knife position selector knob set	
533	B4200A10A	Knife driving unit	

11-1 UPPER KNIFE DRIVING COMPONENTS



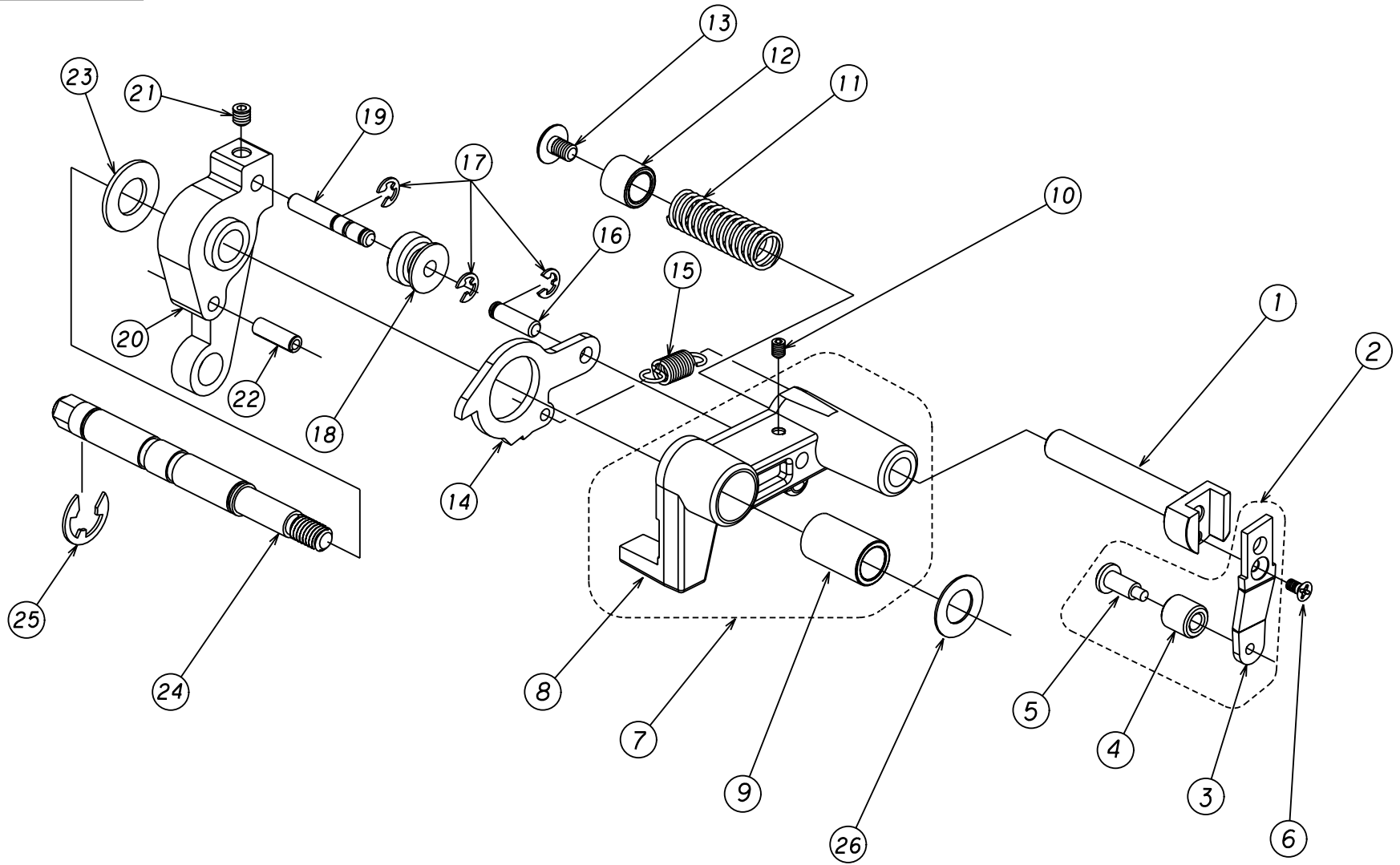
[11-1-1]

UPPER KNIFE COMPONENTS

Ref	PARTS NUMBER	DESCRIPTION			
			USA	Europe UK Australia NZ	CANADA
531	B4200B09A	Knife driving unit	X		
1	B4230-01B-PY	Upper knife holder	1		
2	B4220S01B	Knife guide arm set	X		
3	B4220T01A-P	Knife guide arm	1		
4	B4287T01B-PY	Roller	1		
5	B8858T03A-P	Pin	1		
6	SM2605K3K	Screw	1		
7	B4215S02A	Knife driving connecting arm set	X		
8	B4215-04C	Knife driving connecting arm	1		
9	B4205-02A	Bush	1		
10	SM3004WY	Screw	1		
11	B4250-01A	Spring	1		
12	B4237-01A	Upper knife holder bush	1		
13	SM4006T3K	Screw	1		
14	B4220-02B-PY	Knife driving plate	1		
15	B4351-01A	Spring	1		
16	B4255-01A-PY	Pin	1		
17	RE030-3K	E-ring	3		
18	B2903-03A-PY	Feed arm plate roller	1		
19	B2987-02A-PY	Feed arm plate roller shaft	1		
20	B4215-01A	Knife driving arm	1		
21	SM4004FY	Screw	1		
22	PS3512W	Pin	1		
23	WP8016123K	Washer	1		
24	B4203-05A-OY	Knife driving shaft	1		
25	RE070-P	E-ring	1		
26	WF8205PI	Spacer	1		

11-1-1 UPPER KNIFE DRIVING COMPONENTS

531



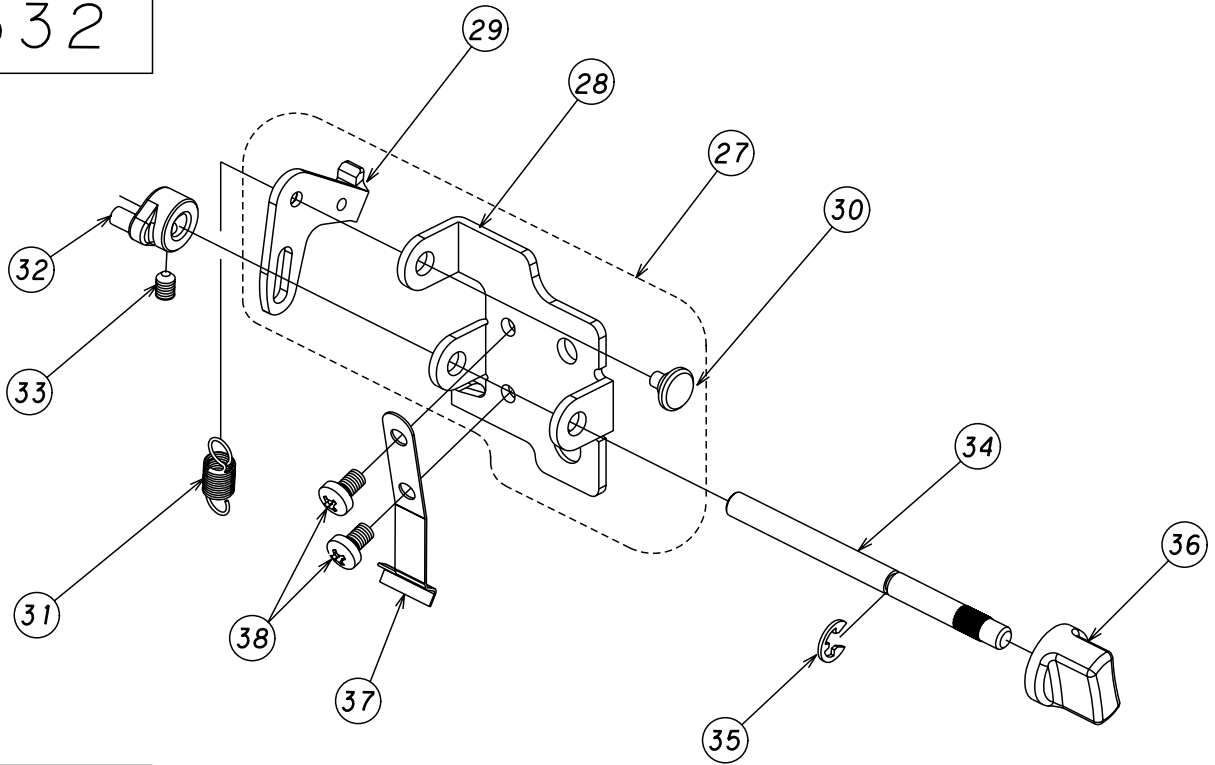
[11-1-2]

UPPER KNIFE COMPONENTS

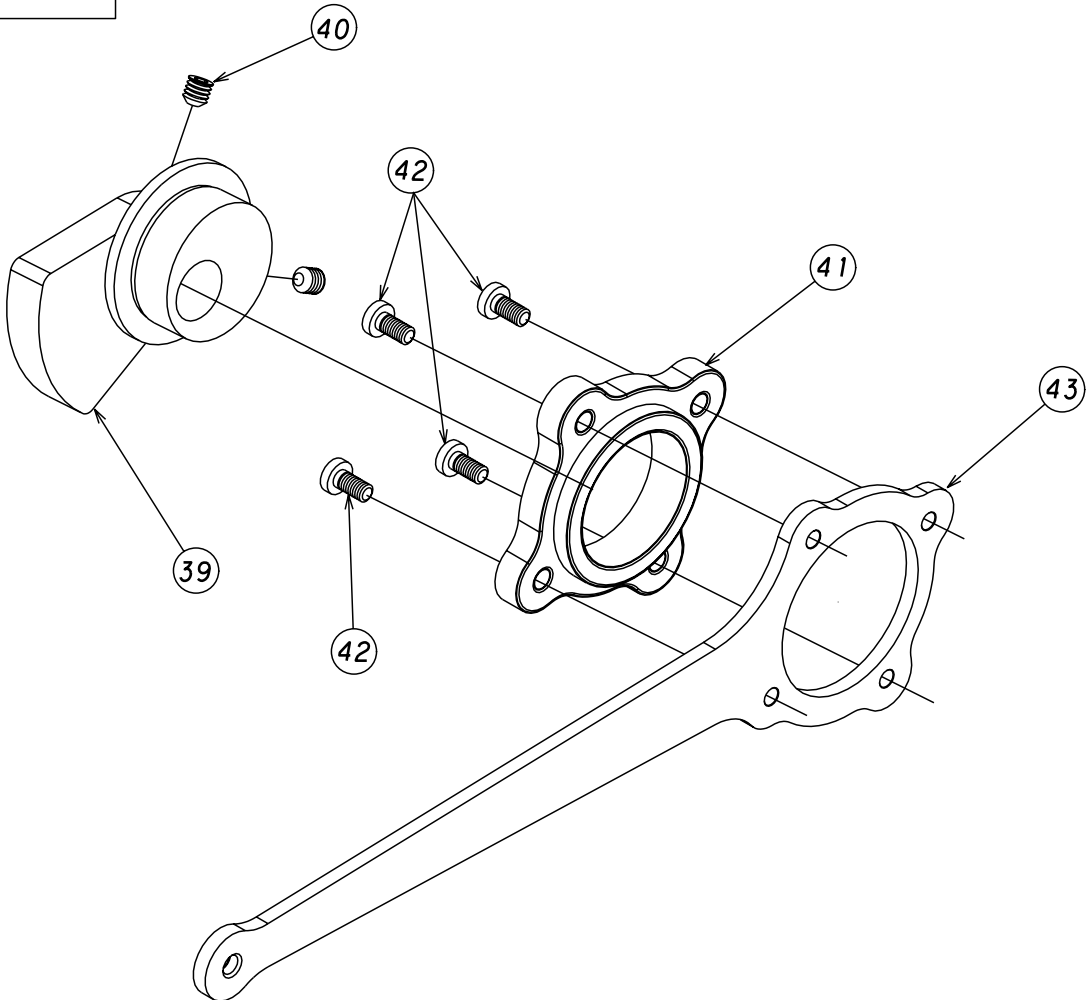
Ref	PARTS NUMBER	DESCRIPTION			
			USA	Europe UK Australia NZ	CANADA
532	B4300B03A-41	Knife position selector knob set	X		
27	B4365S02A	Knife position selector base set	X		
28	B4321T01A-P	Selector base	1		
29	B4365T02A-P	Release lever	1		
30	B8858T01A-P	Pin	1		
31	B4351-02A	Spring	1		
32	B4340-01A-N	Selector cam	1		
33	SM3004WY	Screw	1		
34	B4303-01A-P	Selector knob shaft	1		
35	RE030-3K	E-ring	1		
36	B4388-01A-41	Knife position selector knob	1		
37	B3153-01A-PY	Spring	1		
38	SM3005Z3K	Screw	2		
533	B4200A10A	Knife driving unit	X		
39	B4240-01A	Knife driving cam	1		
40	SM4004FY	Screw	2		
41	B1626-03A	Driving rod holder	1		
42	SM3006Z3K	Screw	4		
43	B4220-10A-P	Knife driving rod	1		

11-1-2 UPPER KNIFE DRIVING COMPONENTS

532



533



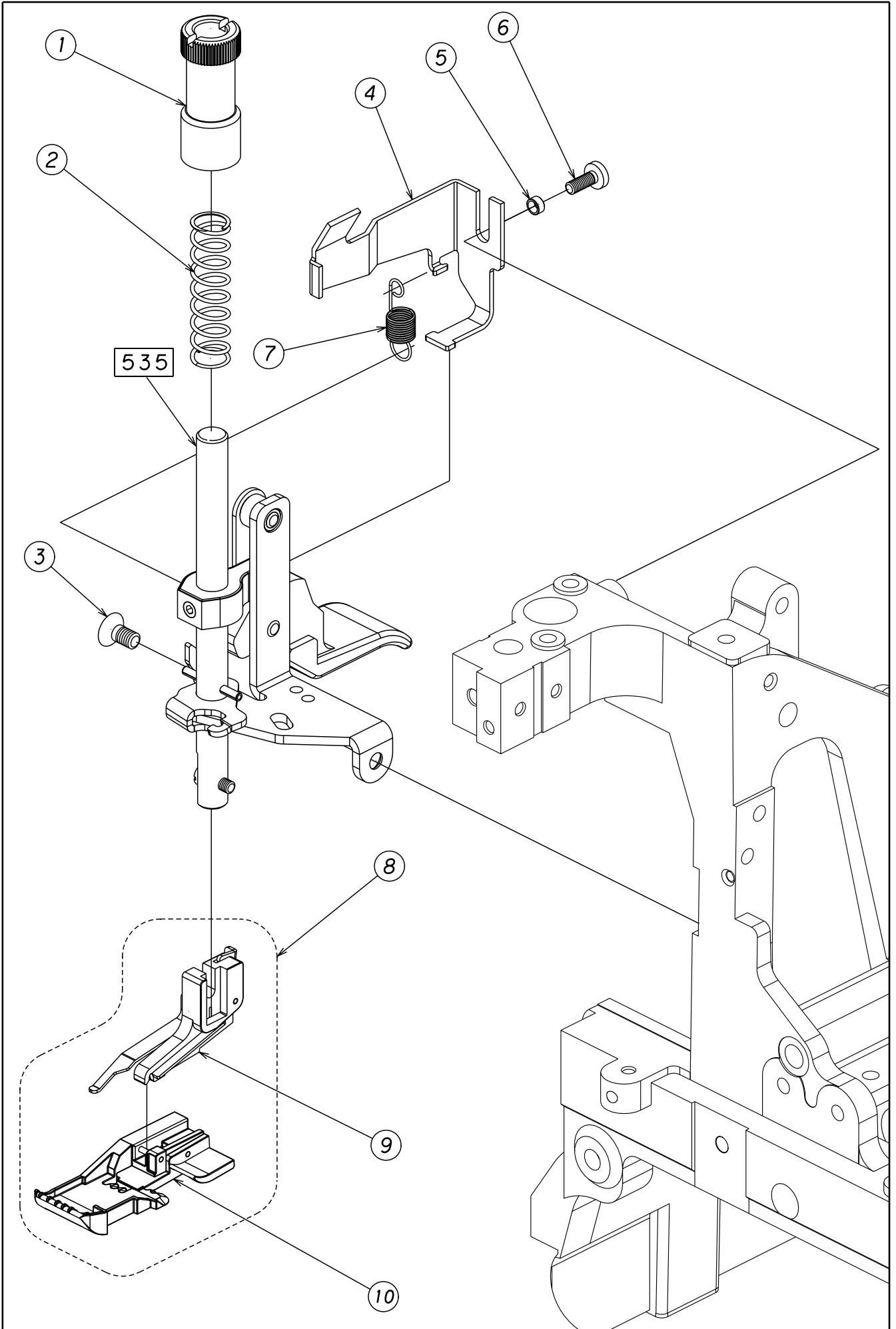
[12-1]

PRESSER FOOT COMPONENTS

Ref	PARTS NUMBER	DESCRIPTION			
			USA	Europe UK Australia NZ	CANADA
1	B5101-01A-41	Pressure adjusting screw	1		
2	B5150-01A	Spring	1		
3	SM4008K3K	Screw	1		
4	B6072-02A-PY	Chain needle tension disk release plate	1		
5	SP30163K	Spacer	1		
6	SI-30016	Screw	1		
7	B6051-01A	Spring	1		
8	B5001B04B	Presser foot holder set	X		
9	B5001S05B	Presser foot holder	1		
10	B5001S06B	Presser foot	1		

Ref	PARTS NUMBER	DESCRIPTION	
535	B5100B07A-41	Presser bar unit	

12-1 PRESSER FOOT COMPONENTS



[12-1-1]

PRESSER FOOT COMPONENTS

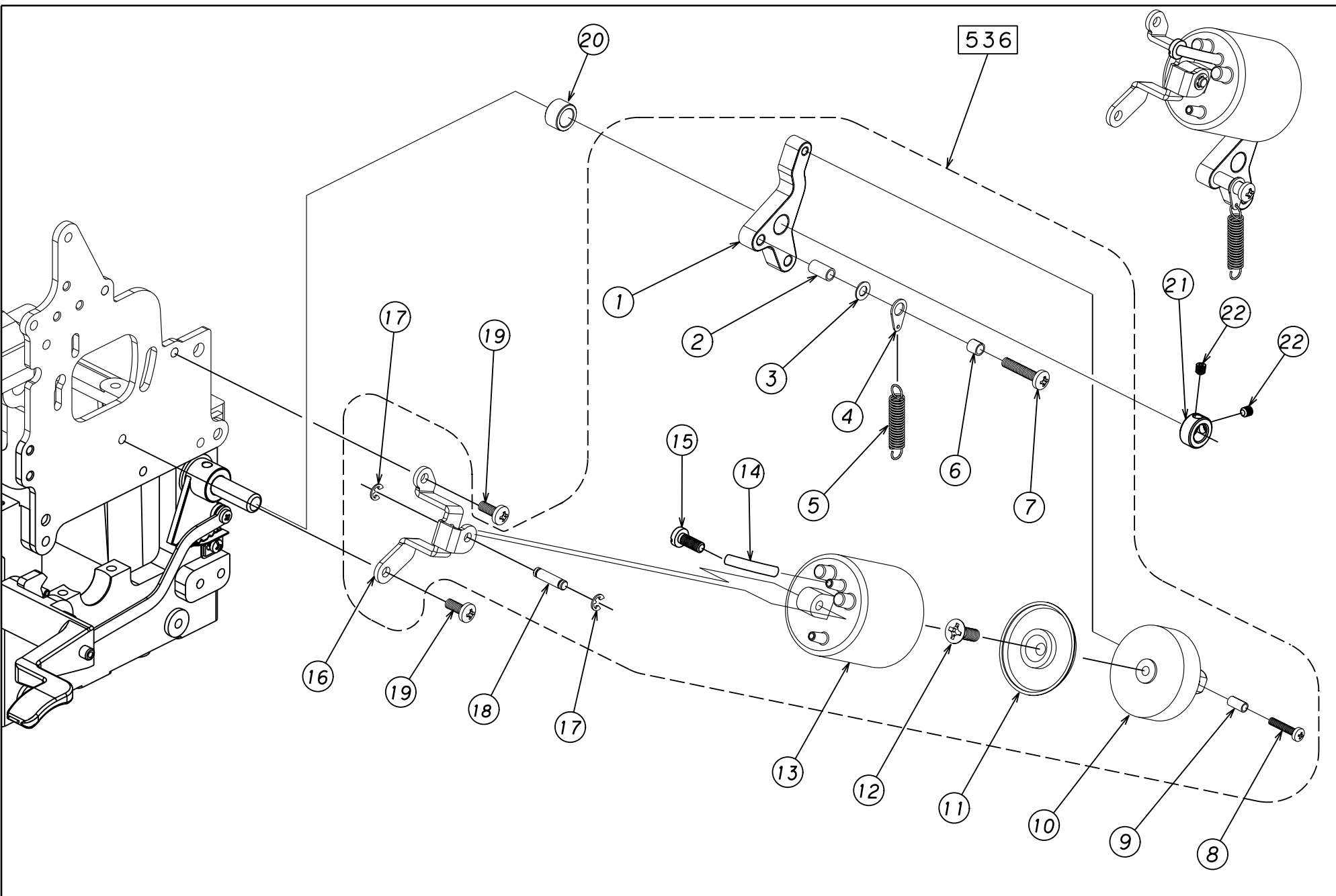
Ref	PARTS NUMBER	DESCRIPTION			
			USA	Europe UK Australia NZ	CANADA
535	B5100B07A-41	Presser bar unit	1		
1	B5125-01B	Presser bar clamp	1		
2	SM4004WY	Screw	1		
3	B5103-01B	Presser bar	1		
4	PS2018WP	Pin	1		
5	B6743-03A-PY	Thickness sencer cam	1		
6	B5121-03A-P	Presser bar fixing plate	1		
7	B5165-02A-41	Presser bar lifter	1		
8	B8837-12A-P	Spacer	1		
9	B5120-02A-P	Presser bar clamp guide	1		
10	SP40053K	Spacer	1		
11	SM4014N3K	Screw	2		
12	B8837-10A-P	Spacer	1		
13	SM3008Z3K	Screw	1		

[13-1]

PUMP COMPONENTS

Ref	PARTS NUMBER	DESCRIPTION			
			USA	Europe UK Australia NZ	CANADA
536	B1-42A01A-DD	Pump set	X		
1	B1-42004A-DD	Piston driving rod	1		
2	SP40103K	Spacer	1		
3	WP4008053K	Washer	1		
4	B1-42021A-AD	Spring holder	1		
5	B2951-03A	Spring	1		
6	SP40053K	Spacer	1		
7	SM4020N3K	Screw	1		
8	SM3016N3K	Screw	1		
9	B1-42038A-PD	Spacer	1		
10	B5825-02A	Pump cylinder piston	1		
11	B5825-03A	Piston cap	1		
12	ST5012K3K	Screw	1		
13	B1-42002A-DD	Pump cylinder	1		
14	B1-42039A-DD	Tube	1		
15	SM4008Z3K	Screw	1		
16	B1-42008A-AD	Pump holder	1		
17	RE030-3K	E-ring	2		
18	B1-42012A-PD	Pump cylinder pin	1		
19	SM4008Z3K	Screw	2		
20	B1-24003A-PD	Spacer	1		
21	B8835-04A-P	Thrust collar	1		
22	SM4004FY	Screw	2		

13-1 PUMP COMPONENTS



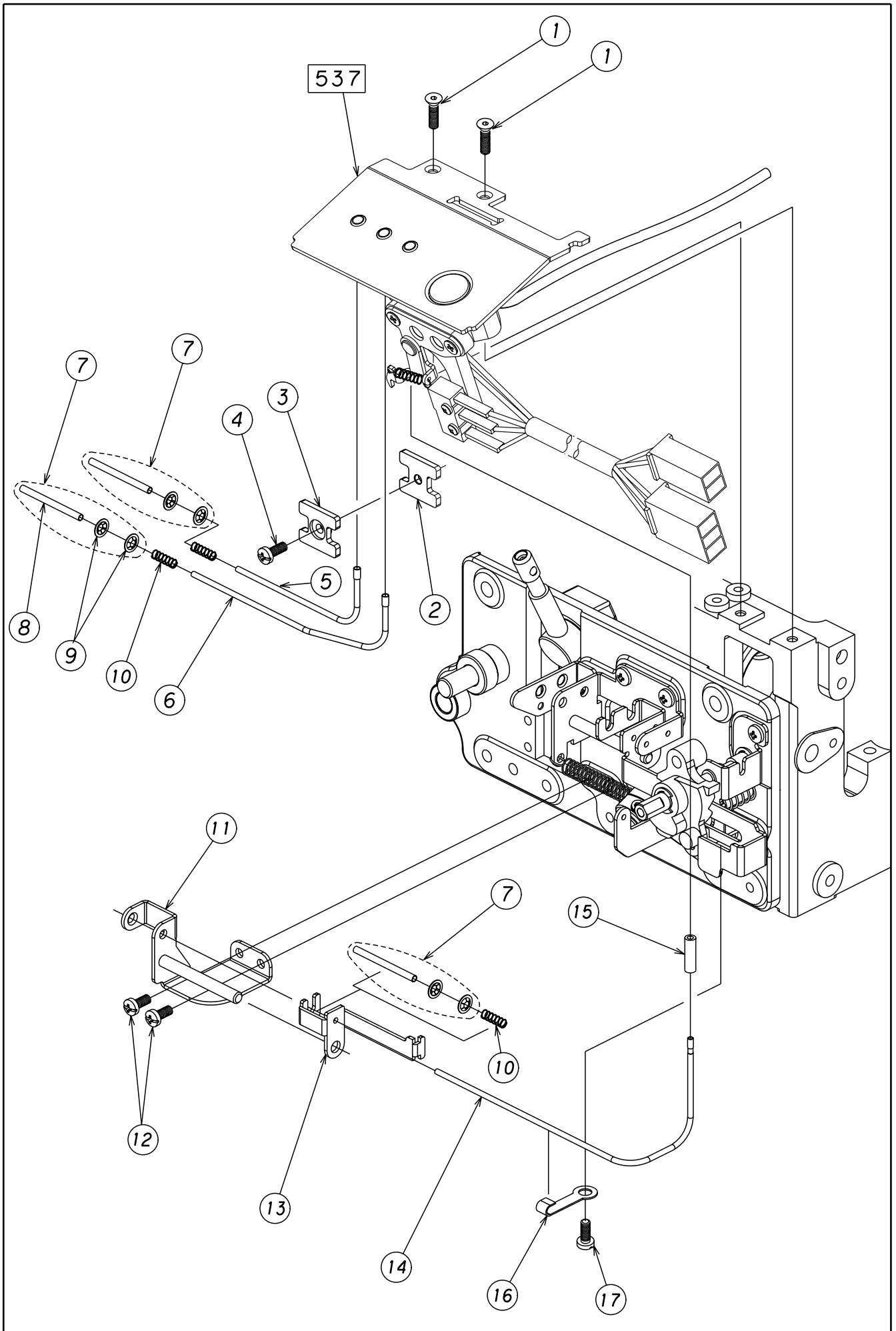
[14-1]

LOOPER THREADER COMPONENTS

Ref	PARTS NUMBER	DESCRIPTION			
			USA	Europe UK Australia NZ	CANADA
1	SP3008CY	Spacer	2		
2	B5820-08A-3K	Pipe holder (1)	1		
3	B5820-07A-3K	Pipe holder (2)	1		
4	SM3008Z3K	Screw	1		
5	B5811-08B	Upper looper threading pipe	1		
6	B5811-11A	Lower looper threading pipe	1		
7	B5811S01A	Joint pipe set	X		
8	B5811-09A	Joint pipe	3		
9	RP024EP	Push ring	6		
10	B5850-05A	Spring	3		
11	B5821S03A-C	Chain looper threading pipe holder set	1		
12	SM3008Z3K	Screw	2		
13	B5821-09A-C	Chain looper setting plate	1		
14	B5811-10A	Chain looper threading pipe	1		
15	B5836-02A	Holding rubber pipe	1		
16	B5820-09A	Threading pipe holder	1		
17	SM3005Z3K	Screw	1		

Ref	PARTS NUMBER	DESCRIPTION	
537	B1-42A02A-41	Thread inlet set (110-120V)	
	B1-42A03A-41	Thread inlet set (220-240V)	

14-1 LOOPER THREADER COMPONENTS

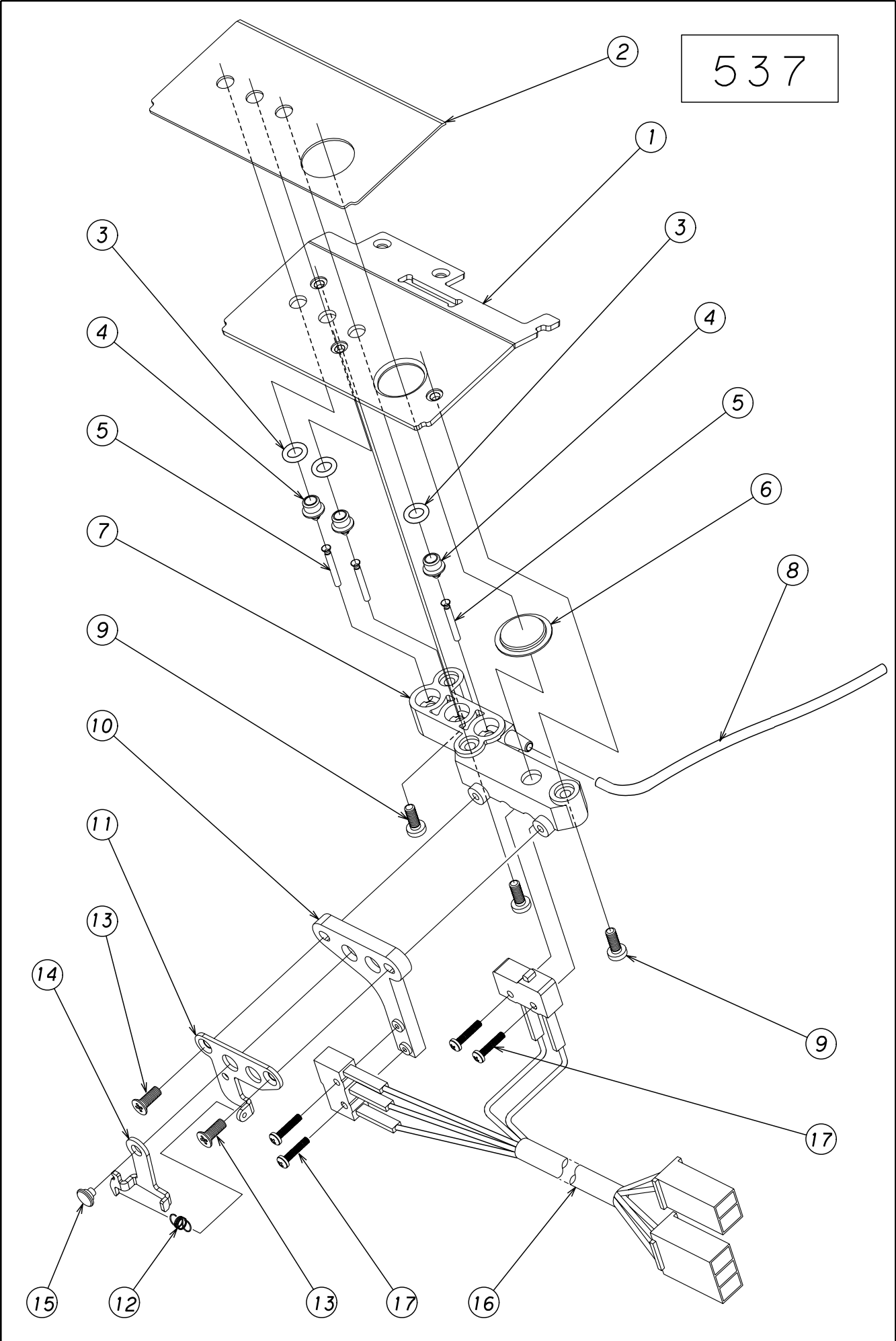


[14-1-1]

LOOPER THREADER COMPONENTS

Ref	PARTS NUMBER	DESCRIPTION			
			USA	Europe UK Australia NZ	CANADA
537	B1-42A02A-41	Thread inlet set (110-120V)	X		
	B1-42A03A-41	Thread inlet set (220-240V)		X	
1	B1-42011A-CD	Thread inlet plate	1	1	
2	B1-42028A-41	No oil seal	1	1	
3	B8892-02A	O-ring	3	3	
4	B5825-05B	Thread inlet	3	3	
5	B5811T03A	Thread inlet pipe	3	3	
6	B1-42018A-41	Push to thread button	1	1	
7	B1-42024A-41	Thread inlet holder	1	1	
8	B5891-04A	Pump cylinder tube	1	1	
9	SM3012N3K	Screw	3	3	
10	B1-42019A-41	Threading safety switch base	1	1	
11	B1-42031A-AD	Safety switch base plate	1	1	
12	B1-42035A-DD	Spring	1	1	
13	ST3008K3K	Screw	2	2	
14	B1-42030A-AD	Push to thread lever	1	1	
15	B6758T04A-P	Pin	1	1	
16	B1-65008A-DD	Push to thread switch (110-120V)	1	0	
	B1-65009A-DD	Push to thread switch (220-240V)	0	1	
17	ST2010U3K	Screw	4	4	

14-1-1 LOOPER THREADER COMPONENTS



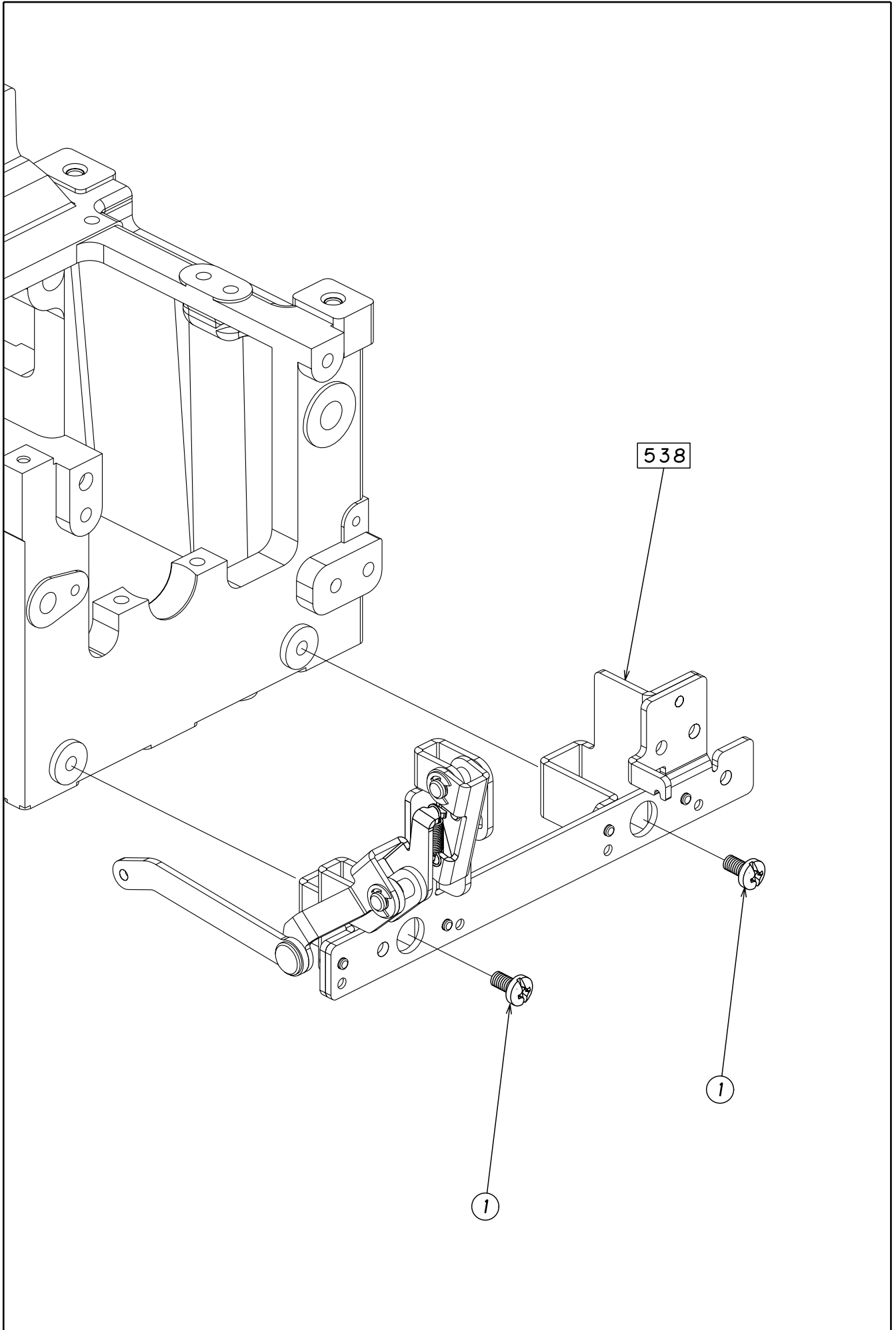
[15-1]

THREADING CLUTCH COMPONENTS

Ref	PARTS NUMBER	DESCRIPTION			
			USA	Europe UK Australia NZ	CANADA
1	SM4008Z3K	Screw	2		

Ref	PARTS NUMBER	DESCRIPTION	
538	B1-44A03A-DD	Belt cover fixing plate set	

15-1 THREADING CLUTCH COMPONENTS

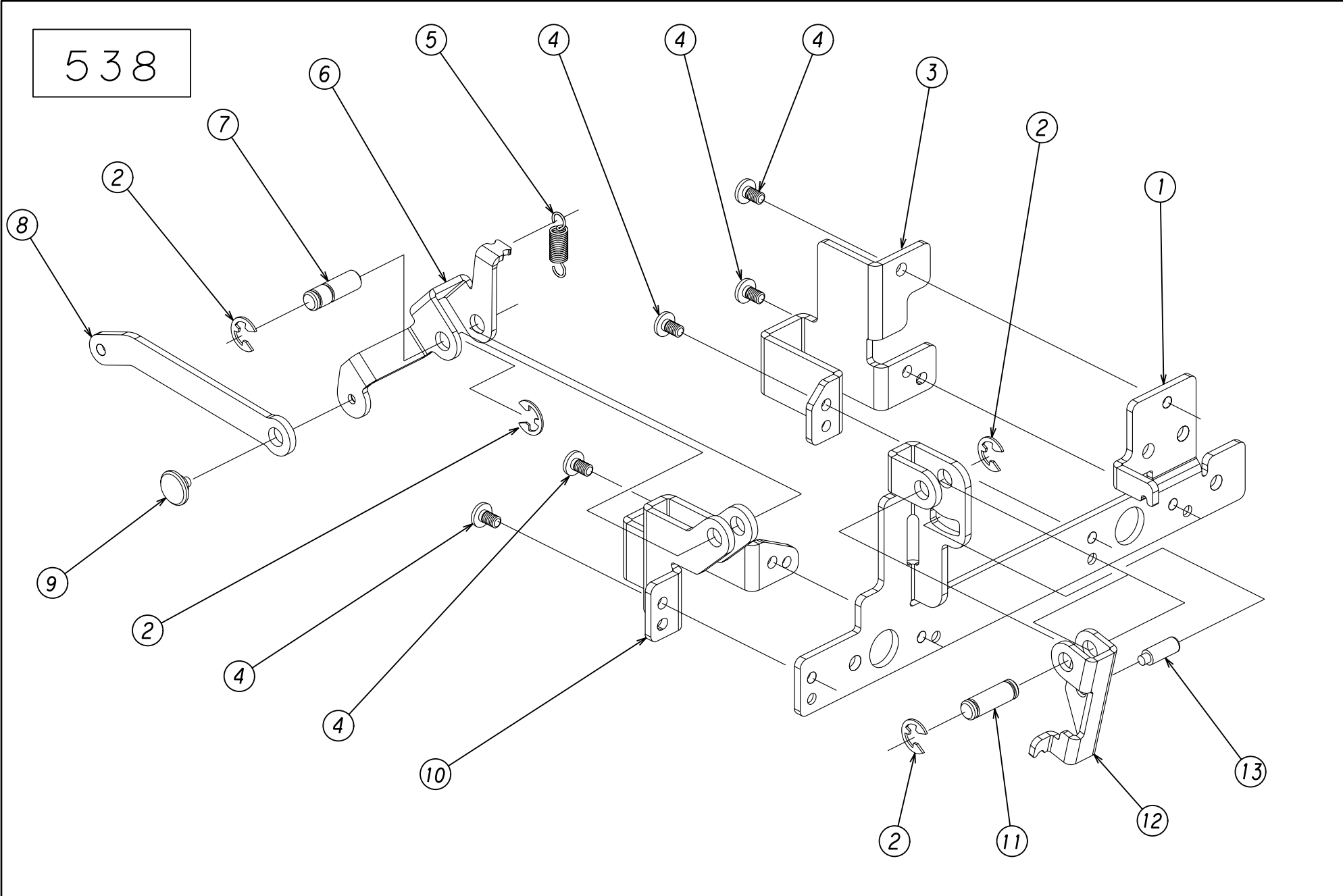


[15-1-1]

THREADING CLUTCH COMPONENTS

Ref	PARTS NUMBER	DESCRIPTION			
			USA	Europe UK Australia NZ	CANADA
538	B1-44A03A-DD	Belt cover fixing plate set	X		
1	B1-44006A-AD	Belt cover fixing platebase	1		
2	RE040-3K	E-ring	4		
3	B1-44007A-AD	Belt cover fixing plate (right)	1		
4	SM3005Z3K	Screw	5		
5	B4351-01A	Spring	1		
6	B1-44004A-AD	Threading engage link plate	1		
7	B1-44010A-PD	Pin	1		
8	B1-44002A-AD	Threading engage link	1		
9	B1-44011A-PD	Pin	1		
10	B1-44008A-AD	Belt cover fixing plate (left)	1		
11	B1-44012A-PD	Pin	1		
12	B1-44005A-AD	Clutch plate	1		
13	B1-44009A-PD	Pin	1		

15-1-1 THREADING CLUTCH COMPONENTS



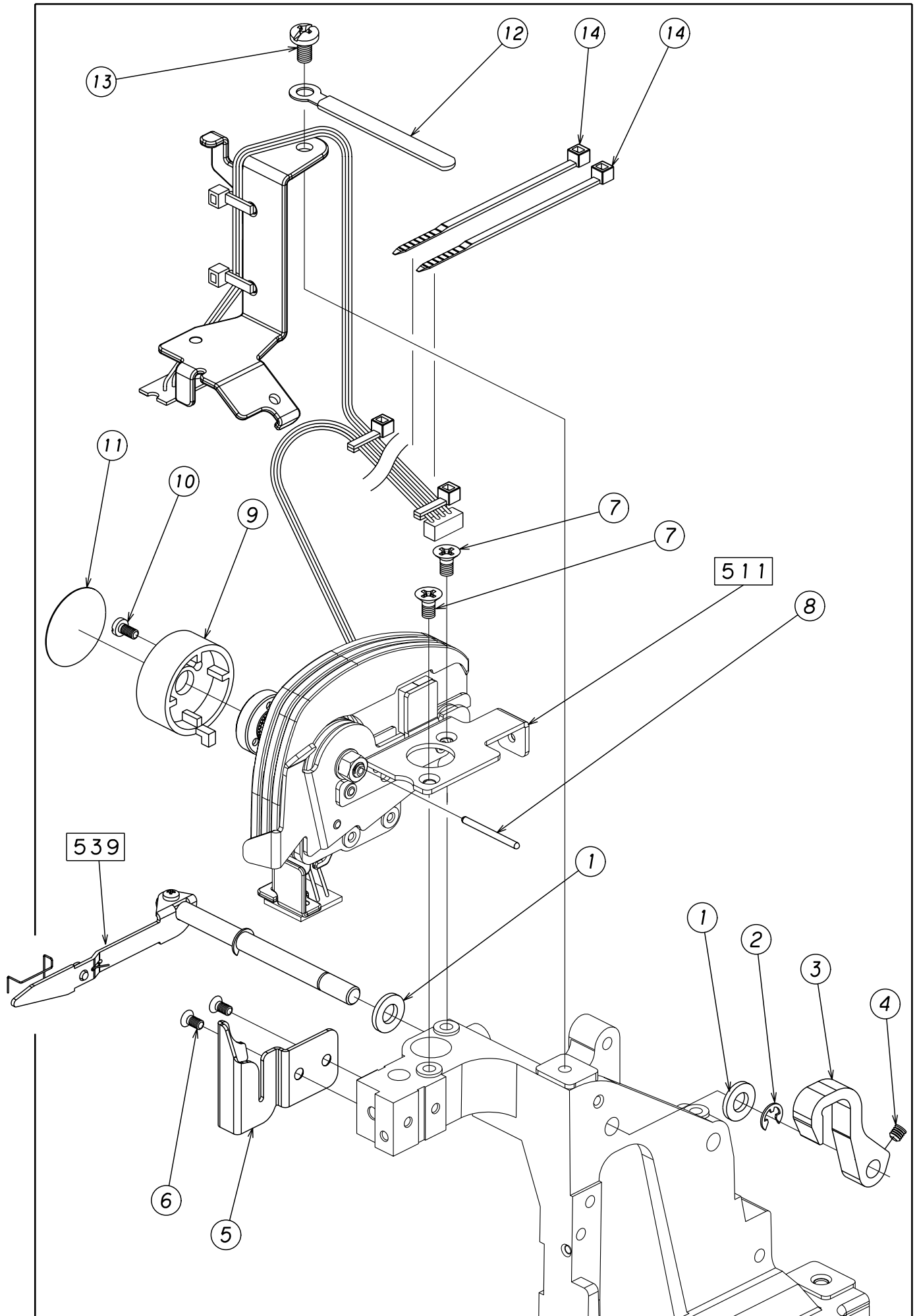
[16-1]

CHAIN NEEDLE THREAD TENSION COMPONENTS

Ref	PARTS NUMBER	DESCRIPTION			
			USA	Europe UK Australia NZ	CANADA
1	WP6013103K	Washer	2		
2	RE040-3K	E-ring	1		
3	B1883-02A	Chain needle thread take-up driving arm	1		
4	SM4004FY	Screw	1		
5	B1821-03B-C	Chain needle thread take-up guide	1		
6	SM3006K3K	Screw	2		
7	SM4008K3K	Screw	2		
8	B6010-01A-P	Tension release pin	1		
9	B6088-04A-41	Chain needle tension adjuster knob	1		
10	SM3005Z3K	Screw	1		
11	B6024-07C-41	Babylock front cover seal	1		
12	B7621-01A	Wiring staple	1		
13	SM4008Z3K	Screw	1		
14	Q0-72006A-DD	cord band	2		

Ref	PARTS NUMBER	DESCRIPTION	
511	B1-55A01A-41	Chain needle thread tension unit	
539	B1820A03B	Chain needle thread take-up unit	

16-1 CHAIN NEEDLE THREAD TENSION COMPONENTS

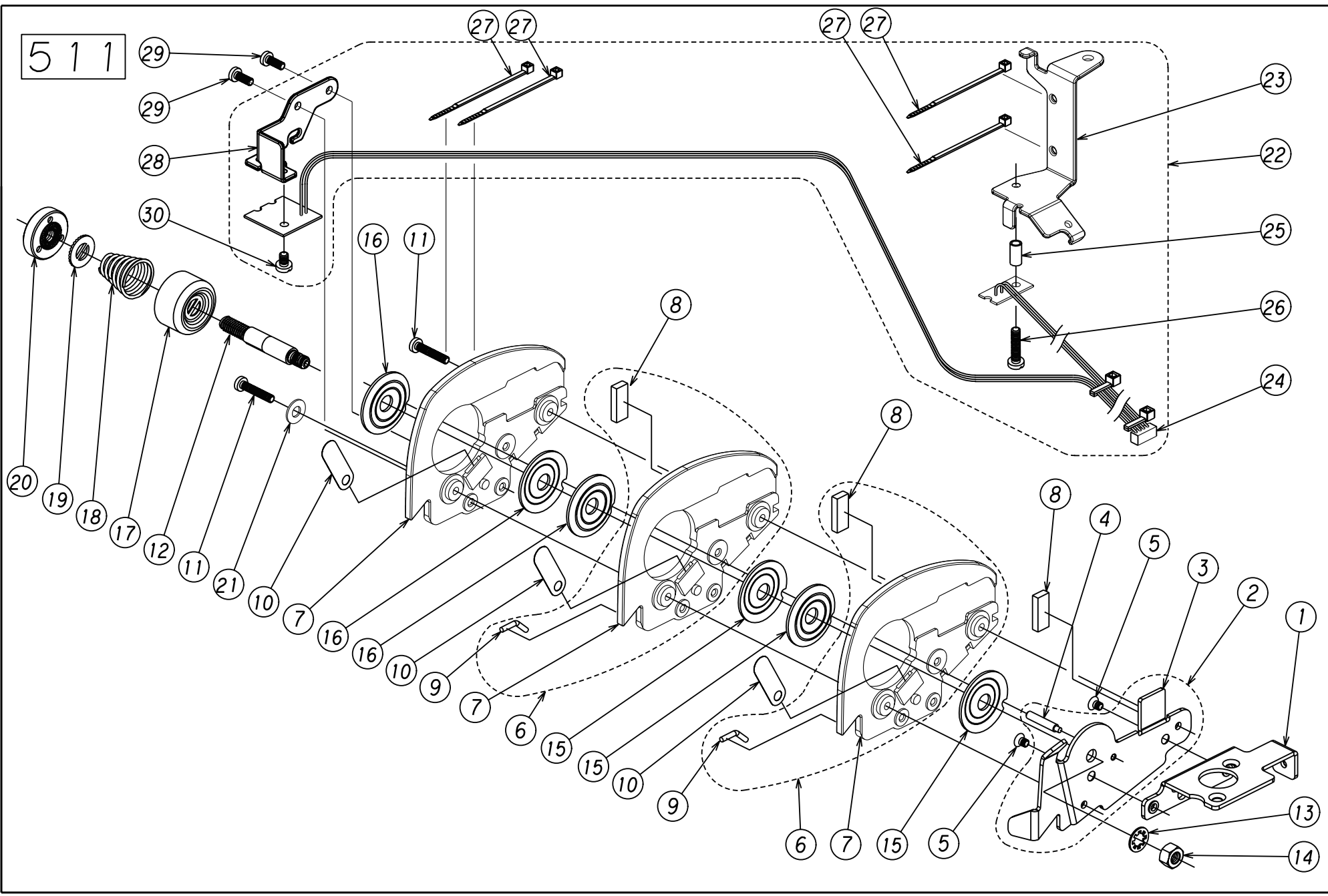


[16-1-1]

CHAIN NEEDLE THREAD TENSION COMPONENTS

Ref	PARTS NUMBER	DESCRIPTION			
			USA	Europe UK Australia NZ	CANADA
511	B1-55A01A-41	Chain needle thread tension unit	X		
1	B6072-01C-AD	Chain needle thread tension adjuster base	1		
2	B6072K01A	Chain needle thread tension adjuster guide	X		
3	B6072-04C-C	Chain needle thread tension set	1		
4	B6010-03A-P	Tension release pin	1		
5	SM3004K3K	Screw	2		
6	B1-55K01A-41	Chain needle thread separator set	X		
7	B1-55001A-41	Chain needle thread separator	3		
8	B6024-21B	Pre-tension	3		
9	B6210-01A	Separator thread guide	2		
10	B6037-01B	Tension disk spacer	3		
11	SM3016N3K	Screw	2		
12	B6013-03A-N	Tension adjuster shaft	1		
13	WT5010063K	Washer	1		
14	NM50H13K	Nut	1		
15	B6021-16A	Tension disk 1	3		
16	B6021-19A-ON	Tension disk 2	3		
17	407-3203-05A	Spring holder	1		
18	4M5-3304-06A	Tension spring	1		
19	205-3203-07A	Tension noched washer	1		
20	B6030-01A-P	Nut	1		
21	WP3006053K	Washer	1		
22	B1-65A01A-DD	LED cord set	1		
23	B1-65007A-AD	LED Lamp holder (right)	1		
24	B1-65K01A-DD	LED cord	1		
25	SP30063K	Spacer	1		
26	SM3012N3K	Screw	1		
27	Q0-72006A-DD	cord band	4		
28	B1-65006A-AD	LED Lamp holder (left)	1		
29	ST3006N3KP	Screw	2		
30	SM3005Z3K	Screw	1		

16-1-1 CHAIN NEEDLE THREAD TENSION COMPONENTS



5 1 1

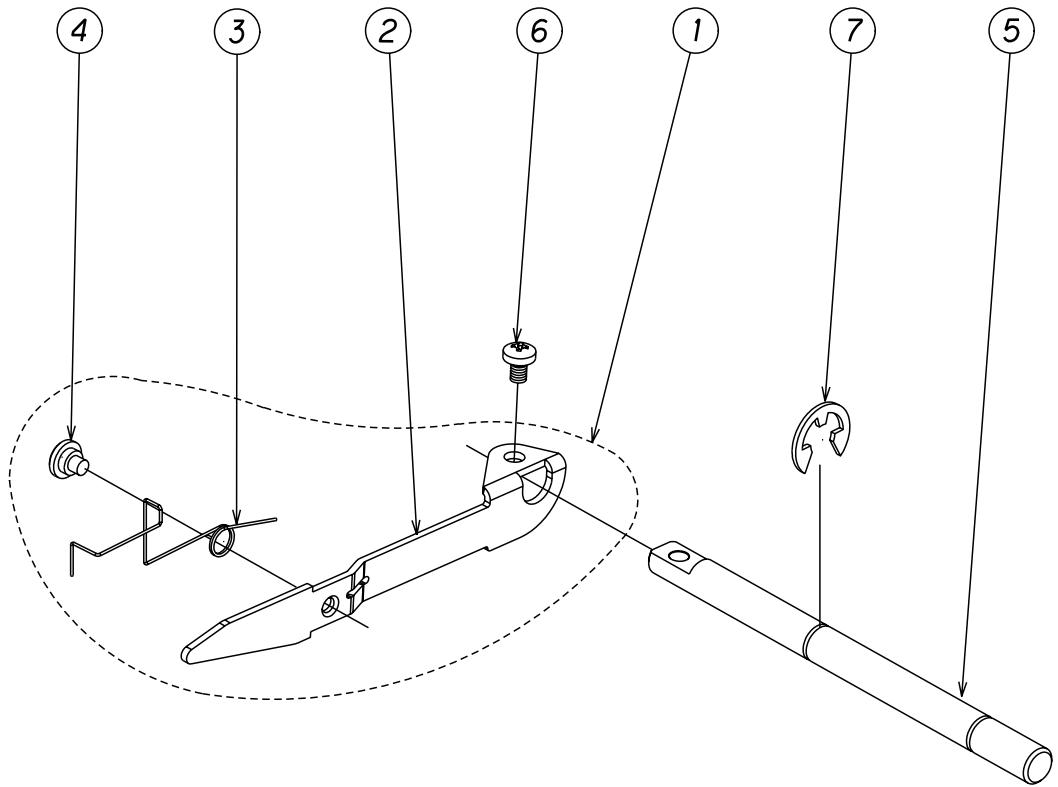
[16-1-2]

CHAIN NEEDLE THREAD TENSION COMPONENTS

Ref	PARTS NUMBER	DESCRIPTION			
			USA	Europe UK Australia NZ	CANADA
539	B1820A03B	Chain needle thread take-up unit	X		
1	B1820K02A	Chain needle thread take-up set	X		
2	B1820-08A-C	Chain needle thread take-up	1		
3	B1854-02B	Spring	1		
4	B8858T01A-P	Pin	1		
5	B1803-05A-P	Driving shaft	1		
6	SM3005Z3K	Screw	1		
7	RE040-3K	E-ring	1		

16-1-2 CHAIN NEEDLE THREAD TENSION COMPONENTS

539

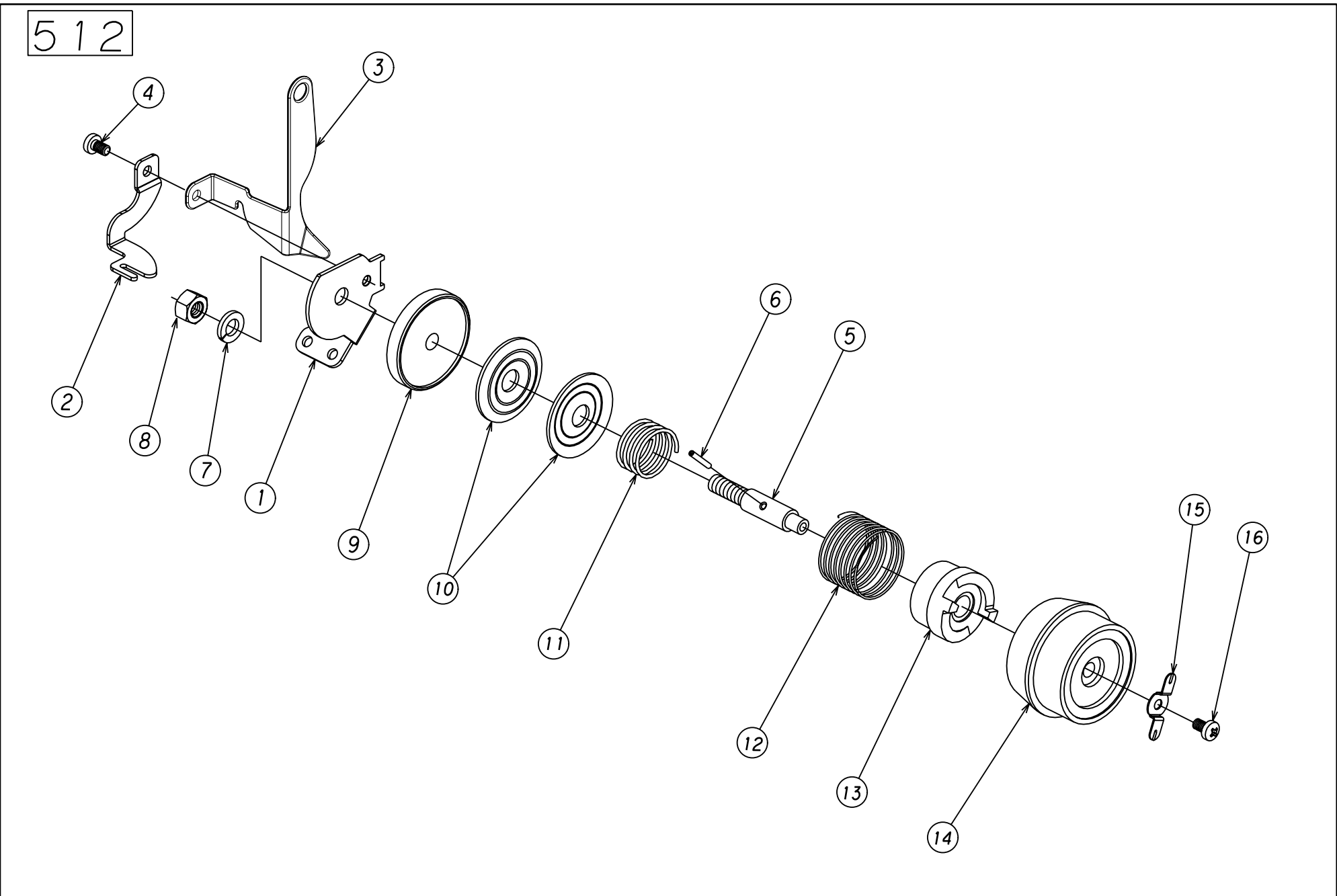


[17-1]

CHAIN LOOPER THREAD TENSION COMPONENTS

Ref	PARTS NUMBER	DESCRIPTION			
			USA	Europe UK Australia NZ	CANADA
512	B1-55A02A-41	Chain looper tension adjuster unit	X		
1	B6420-04A-P	Adjuster base	1		
2	B6420-03A-C	Chain looper thread guide 2	1		
3	B1-55002A-CY	Chain looper thread guide 1	1		
4	SM3005Z3K	Screw	1		
5	B6013-01B-C	Tension adjuster shaft	1		
6	PS1510WP	Pin	1		
7	WS501713K	Washer	1		
8	NM50H13K	Nut	1		
9	B6036-06B-P	Tension disk base	1		
10	205-3203-04A	Tension noched washer	2		
11	B6050-09B	Spring	1		
12	B6050-08A	Spring	1		
13	B6043-01A	Tension adjuster cam	1		
14	B6088-05A-41	Chain needle tension adjuster knob	1		
15	B6053-03A-PY	Tension noched washer	1		
16	SM3004N3K	Screw	1		

17-1 CHAIN LOOPER THREAD TENSION COMPONENTS



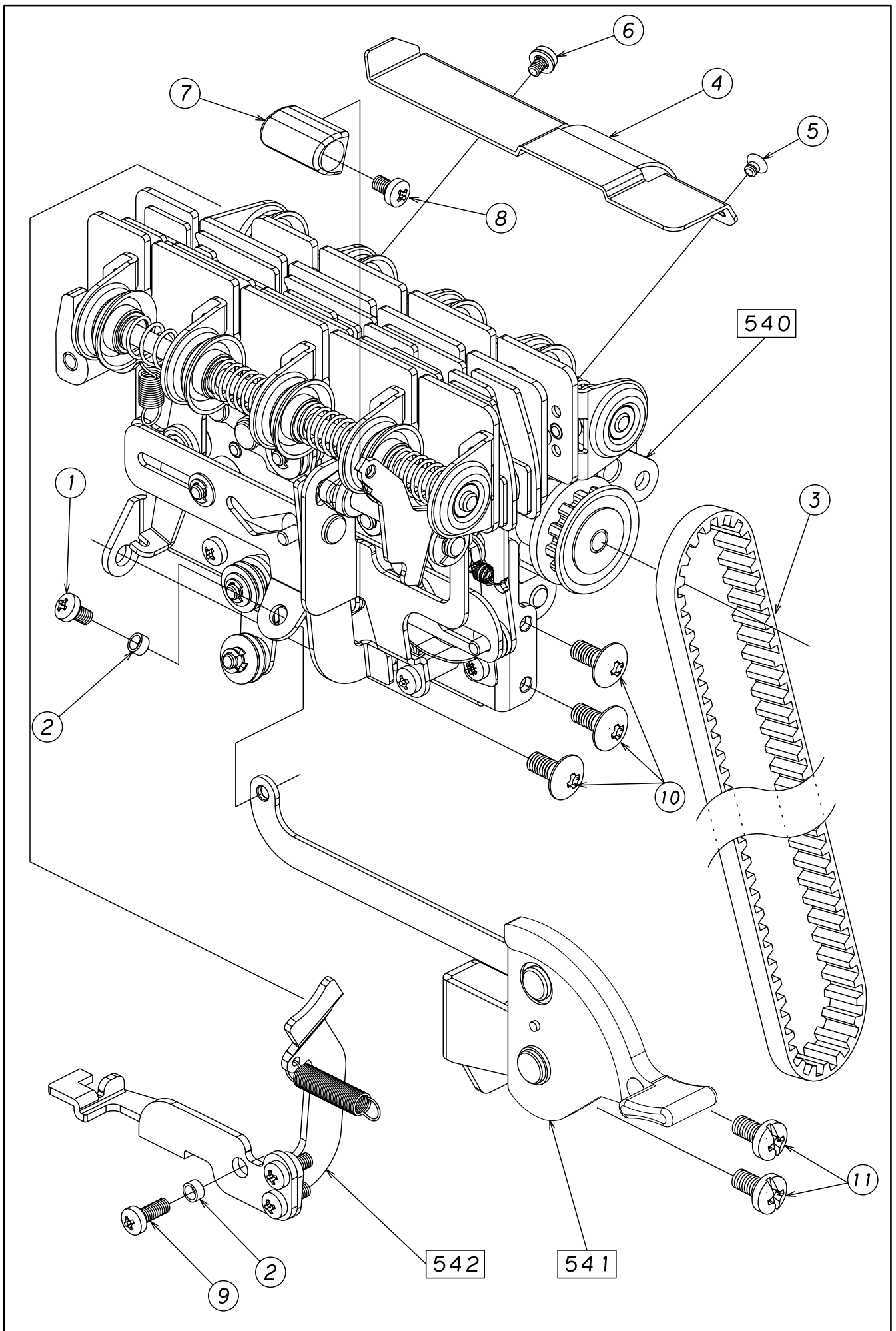
[18-1]

THREAD DELIVERY SYSTEM COMPONENTS

Ref	PARTS NUMBER	DESCRIPTION			
			USA	Europe UK Australia NZ	CANADA
1	SM3005Z3K	Screw	1		
2	SP30023K	Spacer	2		
3	B6763-01A	Timing belt	1		
4	B6720-19B-A	ATD cover	1		
5	SM2605K3K	Screw	1		
6	SM2504N3K7	Screw	1		
7	B6788-02A-41	Wave selector knob	1		
8	SM3005N3K	Screw	1		
9	SM3008N3K7	Screw	1		
10	SM4006T3K	Screw	3		
11	SM4008Z3K	Screw	2		
540	B6700A08A	Thread delevry unit	1		

Ref	PARTS NUMBER	DESCRIPTION	
541	B1-58K01A-41	Stitch selector lever set	
542	B6500A02A	Disk release rink set	

18-1 THREAD DELIVERY SYSTEM COMPONENTS



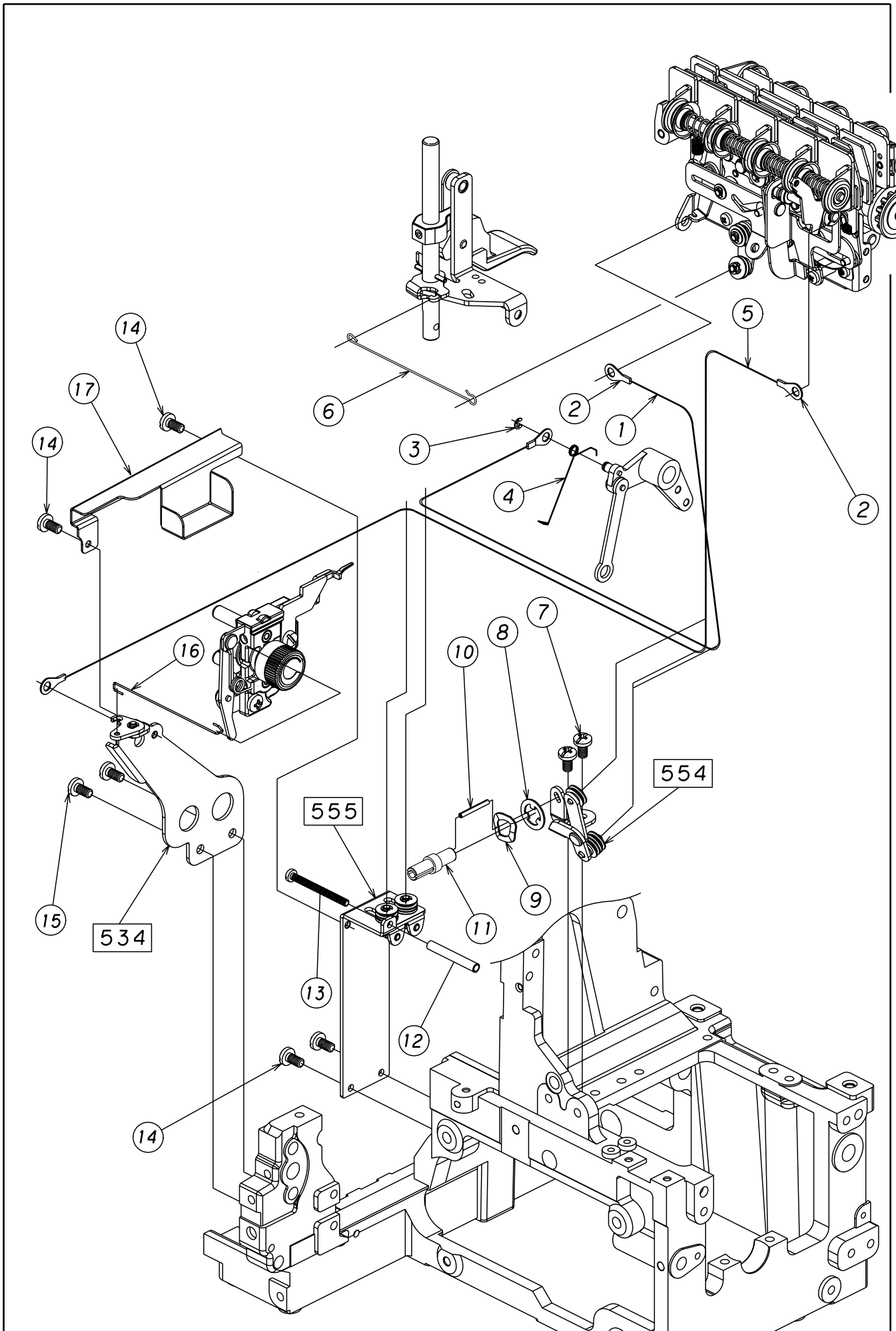
[19-1]

THREAD DELIVERY SYSTEM CABLE COMPONENTS

Ref	PARTS NUMBER	DESCRIPTION			
			USA	Europe UK Australia NZ	CANADA
1	B6764-01B	Needle thread adjusting cable	1		
3	RE020-3K	E-ring	1		
4	B6752-03A	Spring	1		
5	B6764-05A	Looper thread adjusting cable	1		
6	B6860-02A	Thickness sensor rod	1		
7	SM4006N3K	Screw	2		
8	RS060EP	Push ring	1		
9	WW6015-S	Washer	1		
10	PS2012WP	Pin	1		
11	B1-58005A-JD	Fine tuning screw shaft	1		
12	SP30353K	Spacer	1		
13	SM3040N3K	Screw	1		
14	SM3005Z3K	Screw	4		
15	SM4008Z3K	Screw	2		
16	B6860-03B	Looper thread adjusting cable rod	1		
17	B0720-01A-P	Wire cover	1		

Ref	PARTS NUMBER	DESCRIPTION	
534	B4220S03A	Feed arm shaft plate set	
554	B6821A05A	Cable relay roller holder set	
555	B6800A01A	Cable adjusting roller holder set	

19-1 THREAD DELIVERY SYSTEM CABLE COMPONENTS

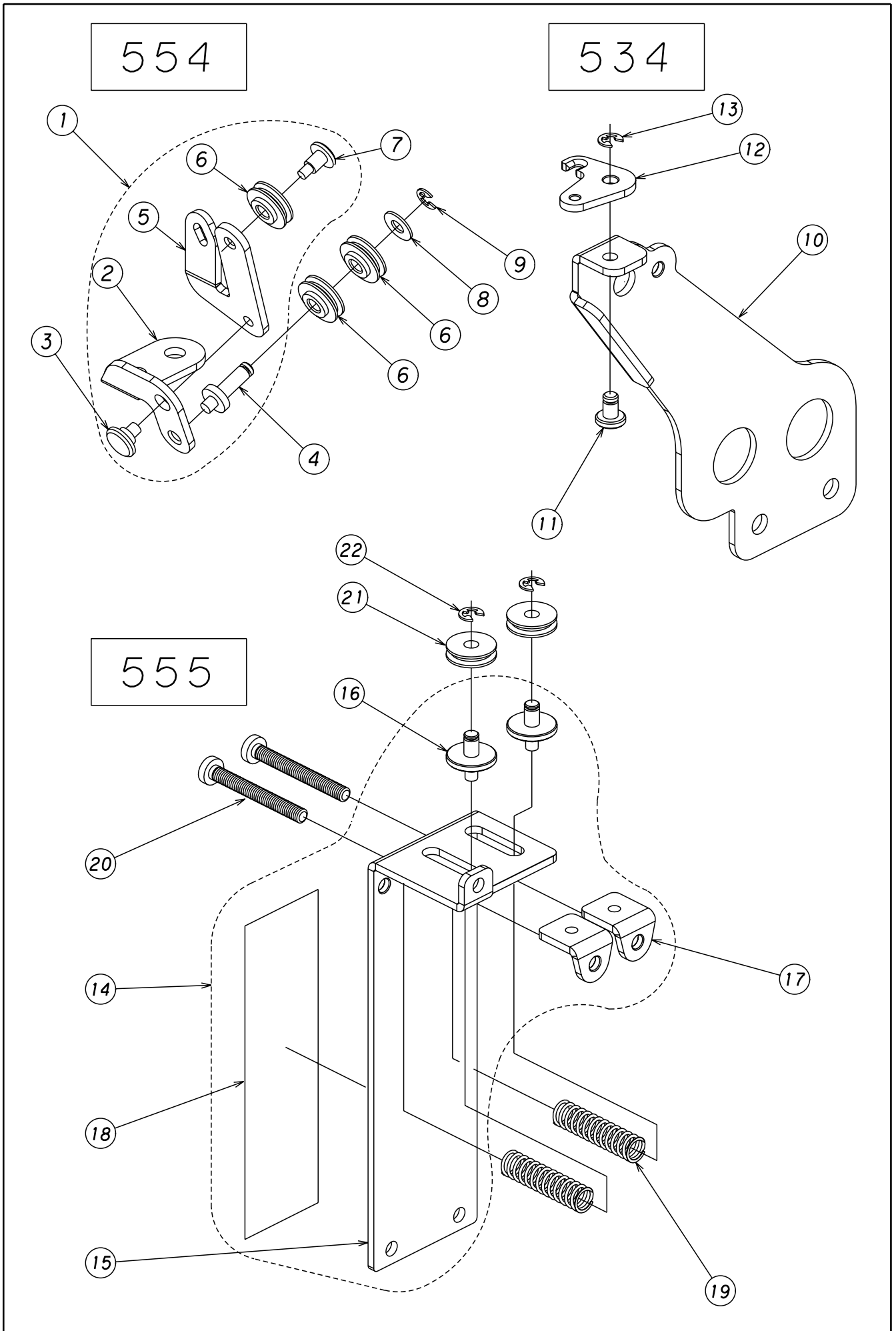


[19-1-1]

THREAD DELIVERY SYSTEM CABLE COMPONENTS

Ref	PARTS NUMBER	DESCRIPTION			
			USA	Europe UK Australia NZ	CANADA
554	B6821A05A	Cable relay roller holder set	X		
534	B4220S03A	Feed arm shaft plate set	X		
10	B4220-08A-P	Knife driving shaft holder	1		
11	B6856-03A-P	Pin	1		
12	B6823-01A-P	Looper thread adjusting cable link	1		
13	RE020-3K	E-ring	1		
555	B6800A01A	Cable adjusting roller holder set	X		
14	B6821S01A	Cable adjusting roller holder	X		
15	B6821T03B-U	Cable relay roller holder set	1		
16	B6858T02A-P	Cable adjusting roller	2		
17	B6820T07A-P	Cable adjusting plate	2		
18	B8024-01A	Caution seal	1		
19	B6850-01A	Spring	2		
20	SM3025NK	Screw	2		
21	B6887-01A	Cable guide roller	2		
22	RE020-3K	E-ring	2		

19-1-1 THREAD DELIVERY SYSTEM CABLE COMPONENTS

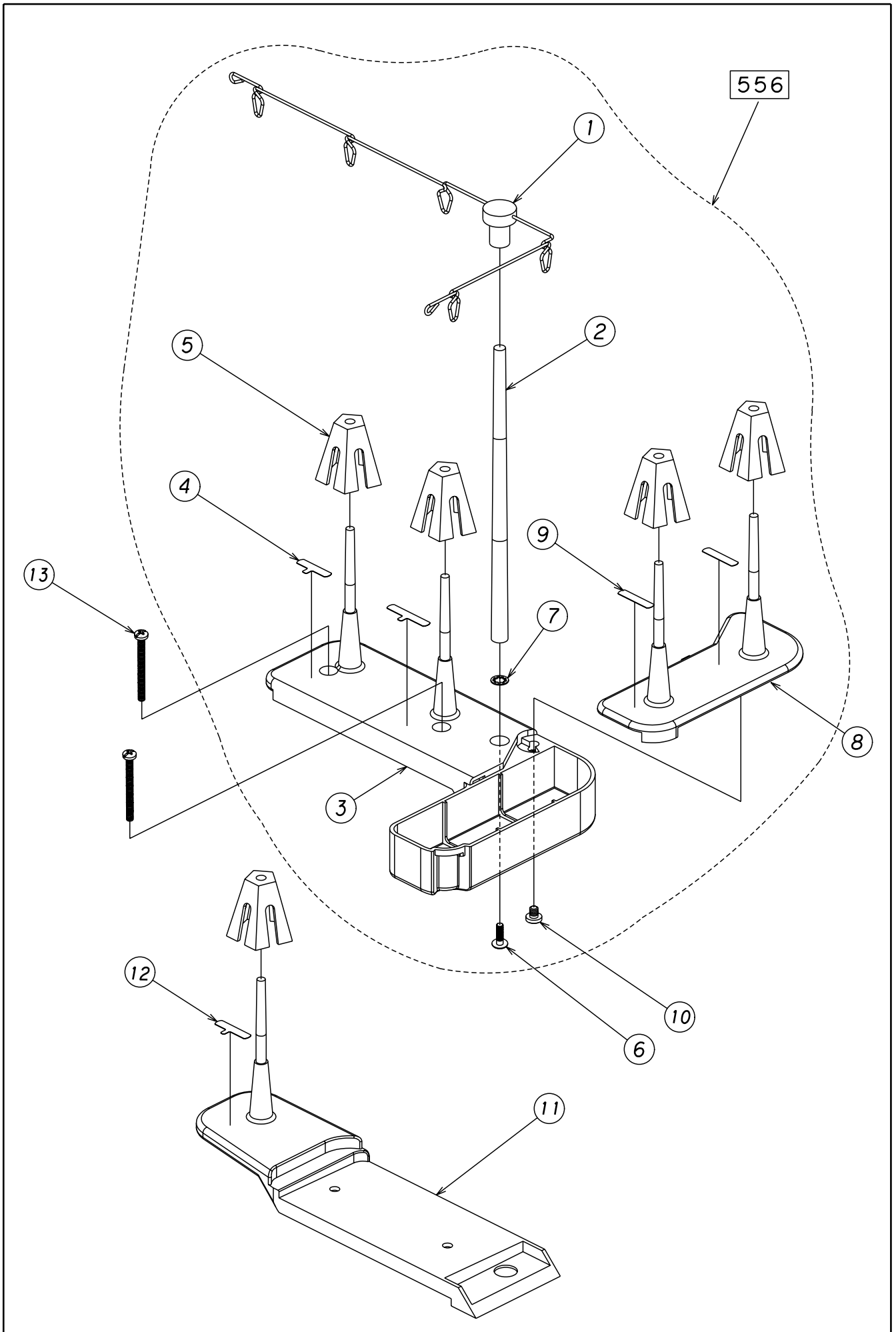


[20-1]

SPOOL STAND COMPONENTS

Ref	PARTS NUMBER	DESCRIPTION			
			USA	Europe UK Australia NZ	CANADA
556	B6601A03A-41	Spool stand set	1		
1	B6654S04A-41	Telescopic thread guide	1		
2	205-0103-01E-J2	Telescopic pipe	1		
3	B6630-01A-41	Spool stand	1		
4	B6624-01A	Seal	1		
5	615-0102-02B	Spool wedge	5		
6	SM4010H0H'	Screw	1		
7	WT408505U	Washer	1		
8	B6630-02A-41	Accessory compartment cover	1		
9	B6624-02A	Seal	1		
10	ST5006N3K	Screw	1		
11	B6630-04A-41	Additional spool stand	1		
12	B6624-03A	Seal	1		
13	ST4025E3K	Screw	2		

20-1 SPOOL STAND COMPONENTS



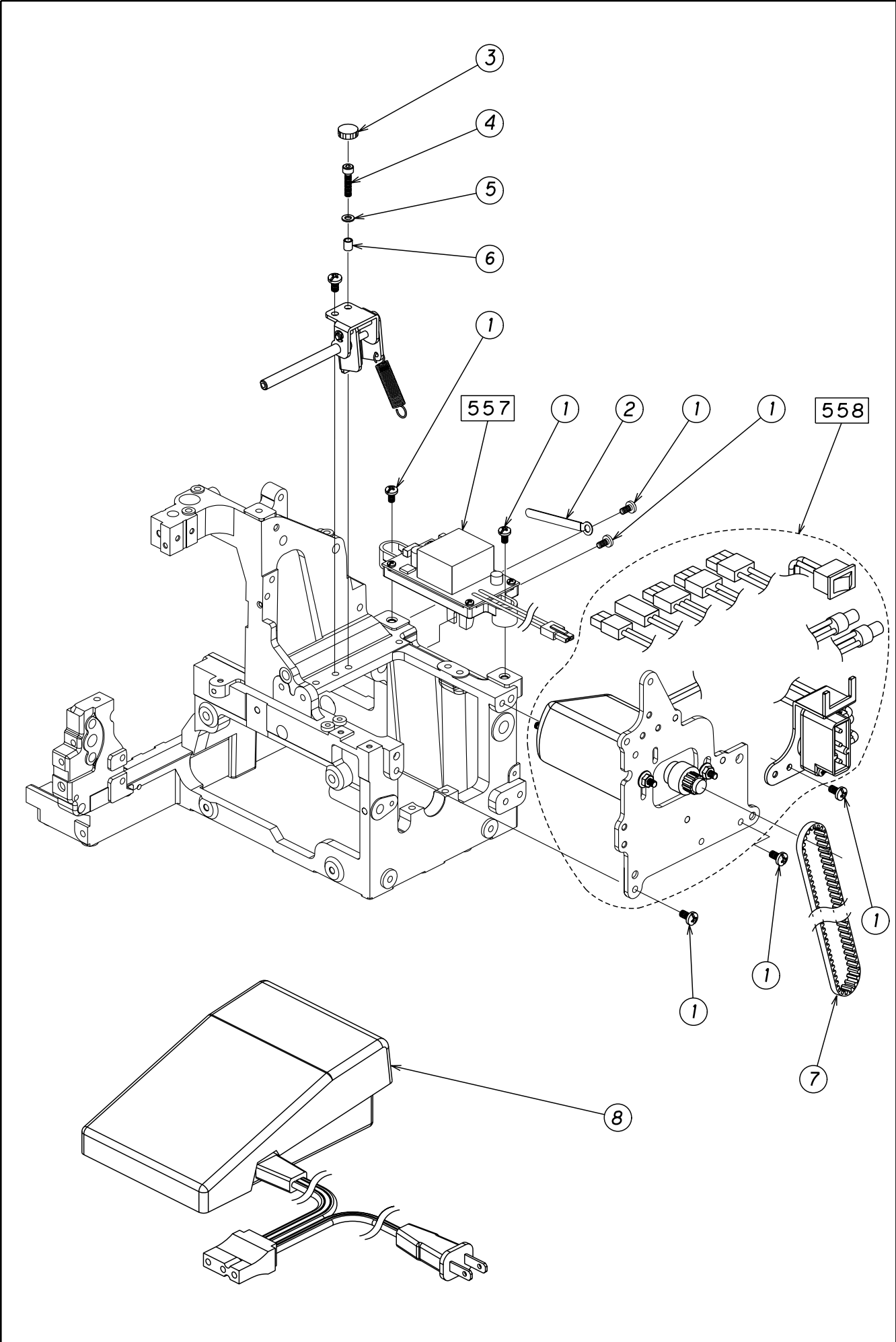
[21-1]

MOTOR CONTROLLER & LAMP COMPONENTS

Ref	PARTS NUMBER	DESCRIPTION			
			USA	Europe UK Australia NZ	CANADA
1	SM4008Z3K	Screw	7	7	
2	B7621-01A	Wiring staple	1	1	
3	B0136-01A	Plastic cap	0	1	
4	SM4018CK	Screw	0	1	
5	WP4009053K	Washer	0	1	
6	SP40083K	Spacer	0	1	
7	615-0303-01A	Timing belt	1	1	
8	YC482	Controller for U.S.A. & Canada	1	0	
	YC483N4	Controller for Australia & New Zealand	0	1	
	YC483N7A	Controller for Europe	0	0	
	YC483N7B	Controller for UK	0	0	
	YC483N7Kr	Controller for Korea			

Ref	PARTS NUMBER	DESCRIPTION	
557	B1-65A04A-DD	Transformer set (110-120V)	
	B1-65A05A-DD	Transformer set (220-240V)	
558	L10DC-WEP	Motor set (110-120V)	
	L7AC-WEP	Motor set (220-240V)	

21-1 MOTOR CONTROLLER & LAMP COMPONENTS

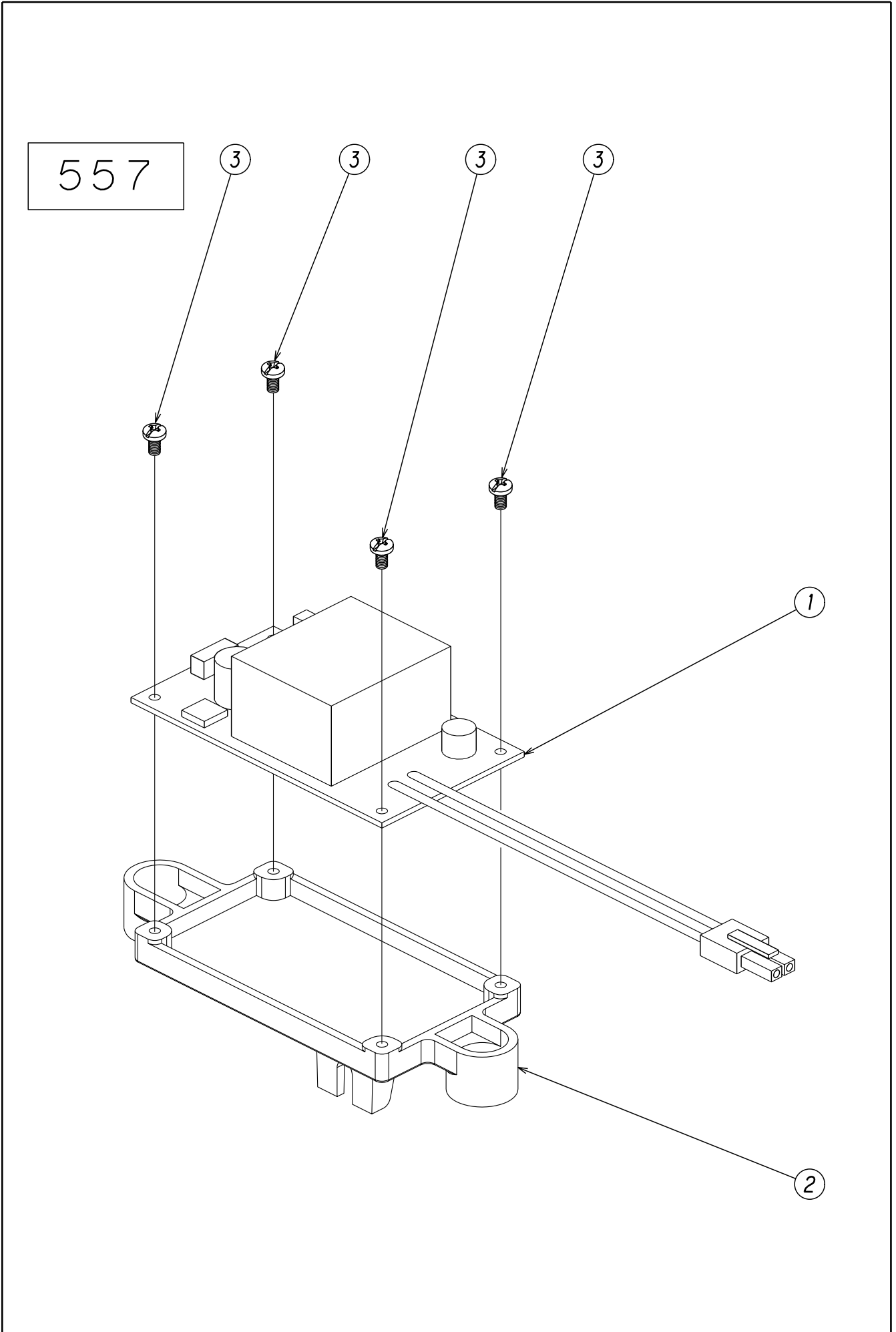


[21-1-1]

MOTOR CONTROLLER & LAMP COMPONENTS

Ref	PARTS NUMBER	DESCRIPTION			
			USA	Europe UK Australia NZ	CANADA
557	B1-65A04A-DD	Transformer set (110-120V)	X		
	B1-65A05A-DD	Transformer set (220-240V)		X	
1	B1-65002A-DD	Transformer (110-120V)	1	0	
	B1-65003A-DD	Transformer (220-240V)	0	1	
2	B1-65001A-41	Transformer base	1	1	
3	ST3008N3KP	Screw	4	4	

21-1-1 MOTOR CONTROLLER & LAMP COMPONENTS



[21-1-2]

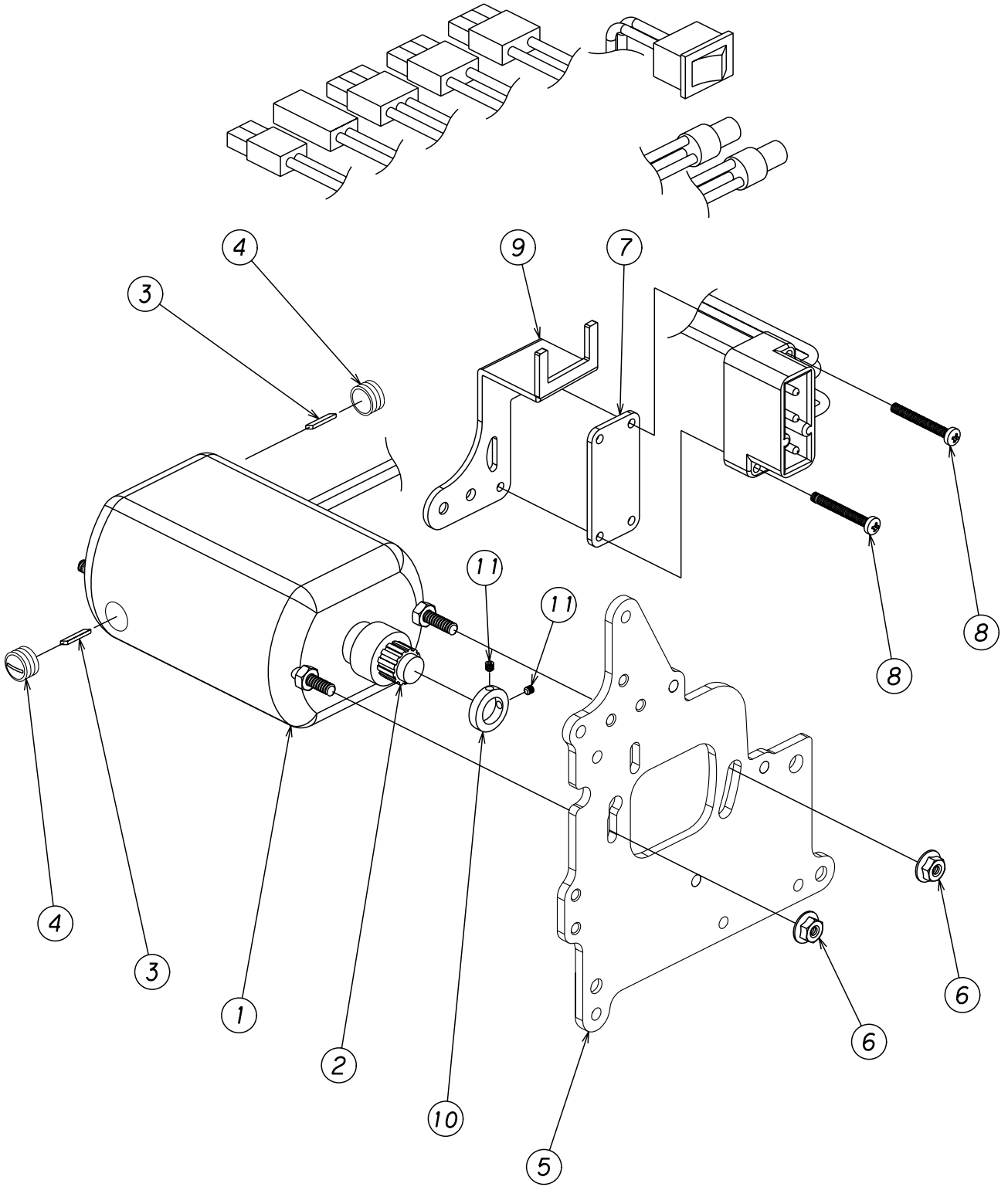
MOTOR CONTROLLER & LAMP COMPONENTS

Ref	PARTS NUMBER	DESCRIPTION			
			USA	Europe UK Australia NZ	CANADA
558	L10DC-WEP	Motor set (110-120V)	X		X
1		Motor (110-120V)	1		1
2	615-0301-04A	Motor pully (Timing)	1		1
3	205-0301-02A/120	Carbon brush	2		2
4	205-0301-03A	Carbon brush cap	2		2
5	B1-60001A-JD	Motor bracket	1		1
6	NI40001	Nut	2		2
7	205-0301-05A	Terminal box insulation plate	1		1
8	SI-30002	Screw	2		2
9	B9821-01A-K	Switch holder	1		1
10	B1-60002A-PD	Motor pully flange	1		1
11	SM2503WY	Screw	2		2

21-1-2 MOTOR CONTROLLER & LAMP COMPONENTS

558

110-120V



[21-1-3]

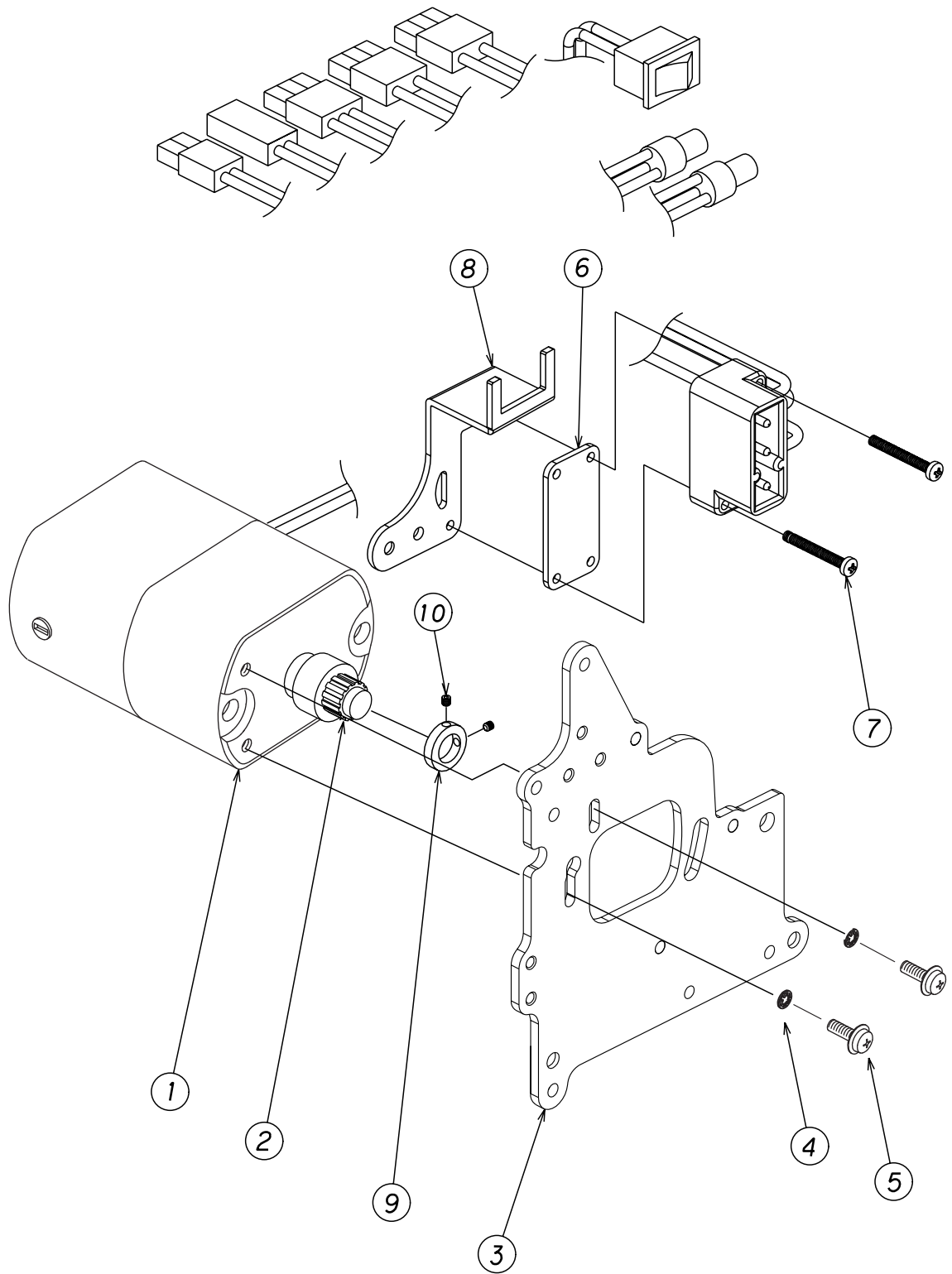
MOTOR CONTROLLER & LAMP COMPONENTS

Ref	PARTS NUMBER	DESCRIPTION			
			USA	Europe UK Australia NZ	CANADA
558	L7AC-WEP	Motor set (220-240V)		X	
1		Motor (220-240V)		1	
2	615-0301-04A	Motor pully (Timing)		1	
3	B1-60001A-JD	Motor bracket		1	
4	WT4088505U1	Washer		2	
5	SM4010IK	Screw		2	
6	205-0301-05A	Terminal box insulation plate		2	
7	NI-30002	Screw		1	
8	B9821-01A-K	Switch holder		1	
9	B1-60002A-PD	Motor pully flange		1	
10	SM2503WY	Screw		2	

21-1-3 MOTOR CONTROLLER & LAMP COMPONENTS

558

220-240V



[22-1]

STANDARD ACCESSORIES

Ref	PARTS NUMBER	DESCRIPTION			
			USA	Europe UK Australia NZ	CANADA
560	B8201S23A	Accessory set (Accessory compartment)	X	X	X
1	B4401-03A	Upper Knife	1	1	1
2	B8293A10A	Needle set (ELx705CF, 2-#80, 3-#90)	1	1	1
3	B8200-03A	Needle inserter with brush	1	1	1
4	B8200-13A	Allen driver	1	1	1
5	205-0201-02A	Tweezers	1	1	1
6	B8203S03A	Needle screw set	1	1	1
7	B8490S02A	Needle threader	1	1	1
8	B8201-01C	Accessory bag (small)	1	1	1
			1	1	1
561	B8201S24A	Accessory set (Carton box) for U.S.A.	X		
		Accessory set (Carton box)		X	X
9	205-0201-09B	Net	8	8	8
10	B8202S01A	Sponge cap	8	8	8
11	B8202-01A-41	Bobbin supporter	8	8	8
12	B8490S02A	Looper threader set	1	1	1
13	205-0201-06A	Screw driver (large)	1	1	1
14	B8200-08A	Base plate clamp screw set	1	0	0
15	2S5-0201-01D	Accessory bag (large)	1	1	1
			1	1	1
16	B1-70001A-DD	Vinyl cover	1	1	1
17	B6654S05A-41	Extra thread guide	1	1	1
18	615-0102-02B	Spool wedge	1	1	1
19	B6630-05A-41	Extra spool stand	1	1	1
20	B6624-04A	Seal	1	1	1
21	B0402A02A-41	Flat cover	1	1	1
22	B0488-01A	Screw	1	1	1
23	B1-70003A-DD	Quick reference threading guide	1	1	1
24	B1-70002A-DD	Instruction manual	1	1	1
25	B1-80002A-DD	Styroform	1	1	1
26	B1-80001A-DD	Carton box	1	1	1
27	B1-70004A-DD	Instructinal DVD	1	0	0

[22-1] STANDARD ACCESSORIES

