



Home Sewing Machine

PARTS REFERENCE LIST

MODEL: CE5500

CE5500PRW

CE8080PRW

CS5055PRW

CE8080

CE5500T

CE7070PRW

CONFIDENTIAL

©2011 Brother Industries, Ltd.
All rights reserved.

Published: Jan.,2010
Revised: Feb.,2013

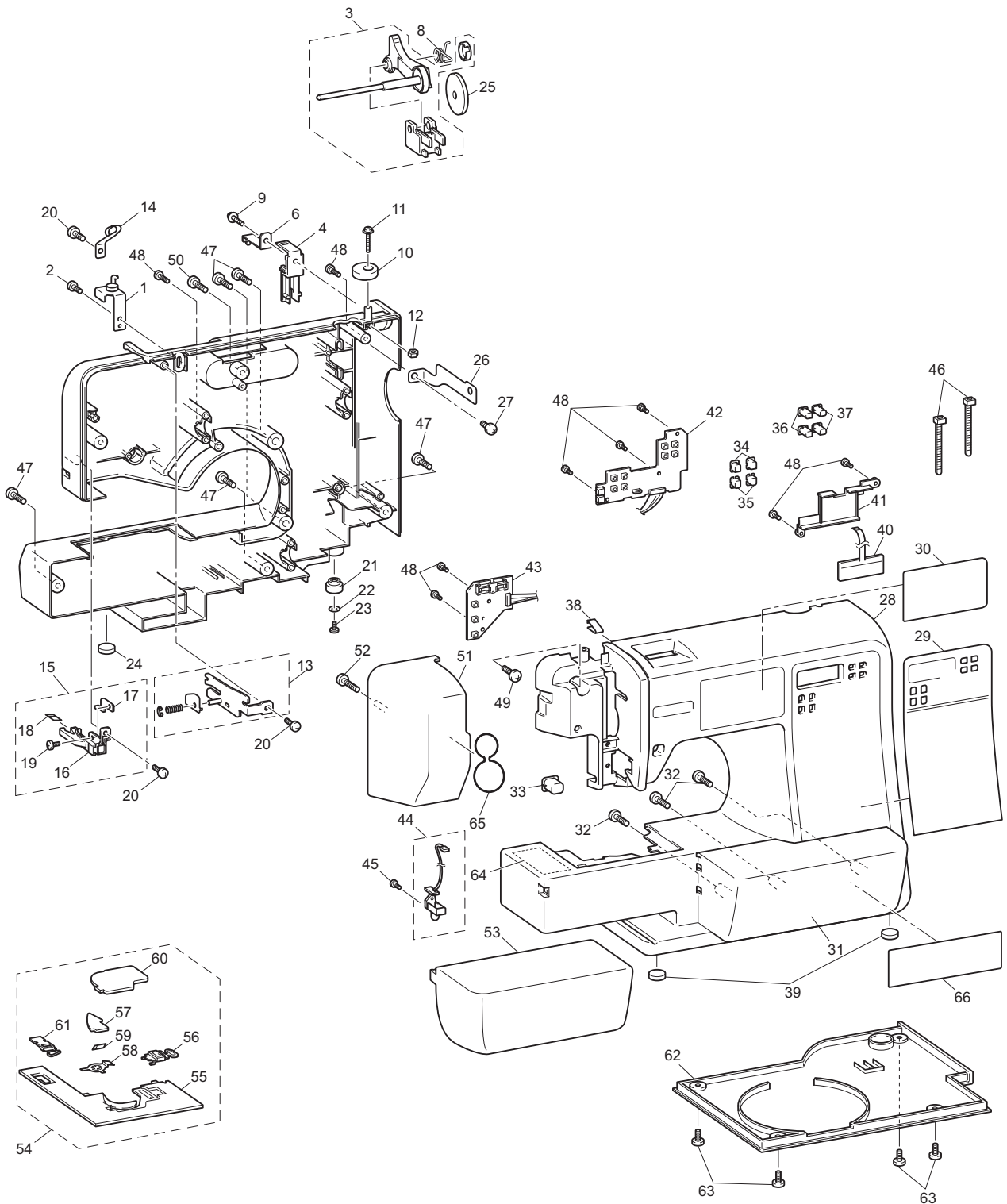
CONTENTS

(1) MAIN FRAME / COVER	2
(2) UPPER SHAFT MECHANISM / NEEDLE BAR / PRESSER FOOT UNIT	6
(3) FEED UNIT	8
(4) BOBIN WINDING MECHANISM / NEEDLE THREADING MECHANISM	10
(5) ELECTRIC PARTS / MAIN MOTOR UNIT	12
(6) ACCESSORY PARTS / USER MANUAL / OTHER PARTS / PACKAGE	14
SPARE PARTS.....	18

Note on parts:

We keep performance parts for this sewing machine for at least 8 years after this model is discontinued. Performance parts are the necessary parts to maintain the function of the sewing machine.

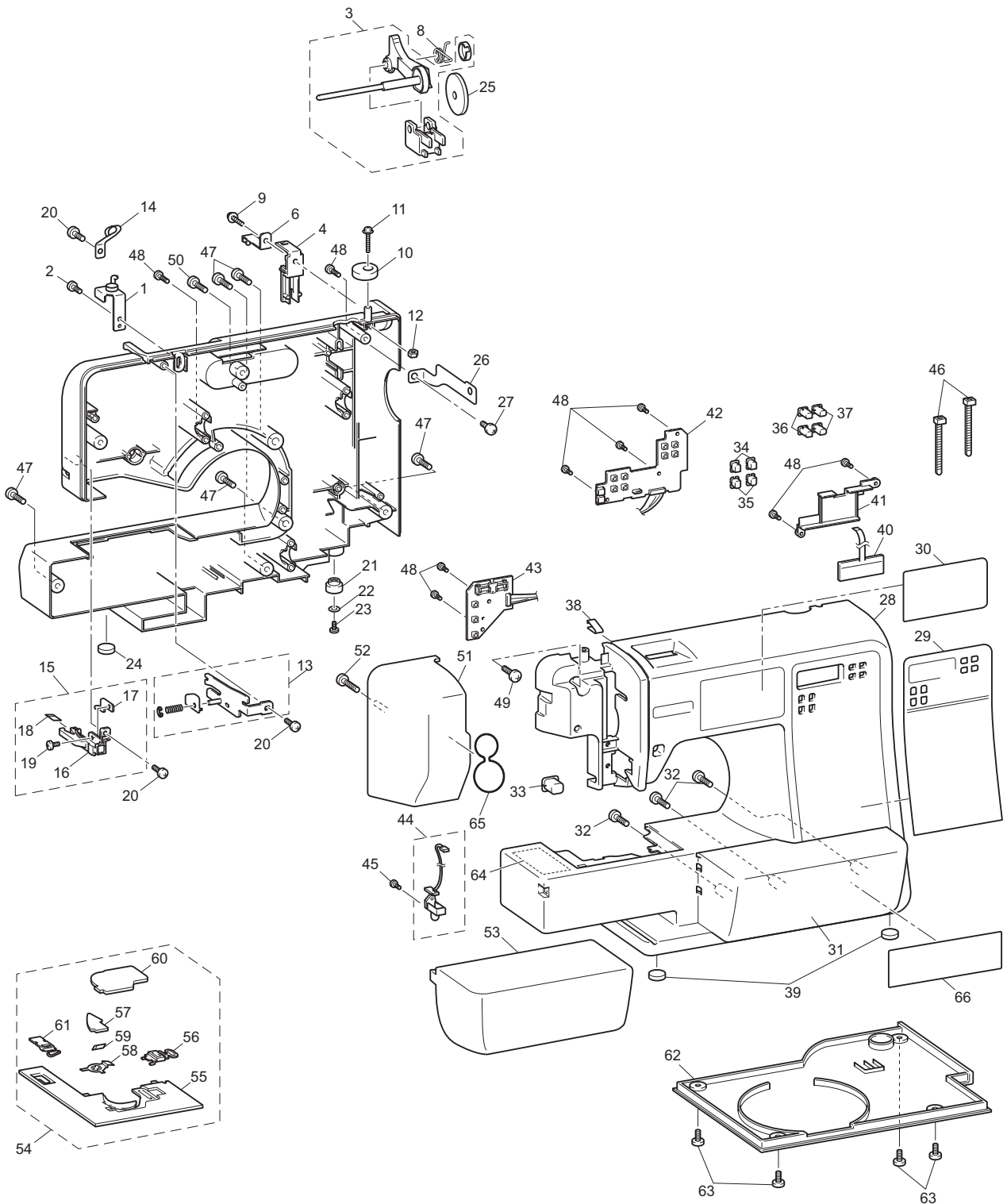
(1) MAIN FRAME / COVER



(1) MAIN FRAME / COVER

No.	CODE	NAME	REMARKS	No.	CODE	NAME	REMARKS
1	XE6631001	BOBBIN WINDER GUIDE ASSY			XE7562001	DECORATION PLATE B (CE5500PRW, CS5055PRW)	
2	0A5300806	SCREW PAN (S/P WASHER) M3X8			XF0207001	DECORATION PLATE B (CE8080PRW, CE8080)	1000024596
3	XE6425104	SPOOL PIN	1000031891		XF4949001	DECORATION PLATE B (CE7070PRW)	1000032194
3	XF4744001	SPOOL PIN ASSY	1000031891				
4	XE6427001	SPOOL PIN HOLDER		31	XE8562001	DECORATION COVER (CE8080, CE7070PRW)	1000025628
5	XE7218004	SPOOL PIN SUPPORTER	1000031891		XE6441001	DECORATION COVER (OTHER)	
6	XE6633001	SPOOL PIN STOP PLATE		32	085411416	TAPTITE BIND B M4X14	
7	XE7626004	SPOOL PIN SPRING COVER	1000031891	33	XE6444001	REVERSE BUTTON	
8	XE7695001	SPOOL PIN SPRING		34	XE6449001	SELECTING BUTTON A	
9	087411416	TAPTITE CUP B M4X14		35	XE6450001	SELECTING BUTTON B	
10	XE8912001	BOBBIN PRESSER		36	XE6451001	MANUAL BUTTON A	
11	0A4302006	SCREW PAN (S/P WASHER) M3X20		37	XE6452001	MANUAL BUTTON B	
12	021300106	NUT 1 M3		38	XE0849001	FRONT COVER THREAD GUARD	
13	XE6429001	THREAD GUIDE PLATE ASSY		39	XC4077021	BASE PLATE RUBBER	
14	XE6634001	THREAD GUIDE SUPPORTING PLATE		40	XC9822021	LCD SUPPLY ASSY	
15	XE7286001	CUTTER COVER ASSY		41	XE6514001	LCD HOLDER	
16	XE6640001	CUTTER COVER		42	XE7639001	OPERATION PCB SUPPLY ASSY V61 (CE5500, CE5500PRW, CS5055PRW, CE5500T, CE7070PRW)	
17	XE6641001	CUTTER HOLDER PLATE			XF0177001	OPERATION PCB SUPPLY ASSY (CE8080PRW, CE8080)	1000024596
18	X80321021	NT LOWER THREAD CUTTER		43	XE7606101	SSVR PCB SUPPLY ASSY CP4L	
19	060300416	SCREW BIND M3X4		44	XE9784001	LED LAMP SUPPLY ASSY CP4S	1000025446
20	085411016	TAPTITE BIND B M4X10		45	085311016	TAPTITE BIND B M3X10	
21	138337022	RUBBER CUSHION A		46	X53169020	BAND	
22	026350235	WASHER PLAIN M 3.5		47	XZ5049001	GIZA TITE (S/P W) 5X18	
23	083361216	TAPTITE PAN B M3.5X12		48	XE2261001	GIZA TITE (S/P W) 4X25	
24	XC4077021	BASE PLATE RUBBER		49	XC3588021	GIZA TITE 4X12	
25	XE1372001	SPOOL PRESSER C		50	XC7566051	SCREW, PAN(S/P WASHER) M4X8	
26	XE8361001	BELT STOPPER PLATE		51	XE6454001	FACE PLATE	
27	085411416	TAPTITE BIND B M4X14		52	XA3337022	TAPTITE,CUP P M4X20	
28	XZ5120121	FRONT COVER (CE5500PRW)	1000031390	53	XE6455001	ACCESSORY TABLE	
	XZ5124121	FRONT COVER (CE8080PRW)	1000031390	54	XE6456001	NEEDLE PLATE B ASSY	
	XZ5123121	FRONT COVER (CS5055PRW)	1000031390	55	XE6457001	NEEDLE PLATE B	
	XZ5125121	FRONT COVER (CE8080)	1000031390	56	XC7371022	SLIDE BUTTON	
	XZ5121121	FRONT COVER (CE5500: ARG, PRY)	1000031390	57	XD1666052	CUTTER COVER	
	XE8371001	FRONT COVER (CE5500: OTHER)		58	XC2368121	SPRING PLATE	1000031909
	XF3846001	FRONT COVER (CE5500T)	1000029814	59	X80321021	NT LOWER THREAD CUTTER	
	XF4947001	FRONT COVER (CE7070PRW)	1000032194	60	XD1645021	NEEDLE PLATE COVER SUPPLY ASSY	
29	XE7291001	DECORATION PLATE A (CE5500, CE5500PRW, CS5055PRW, CE5500T)		61	XE7163001	SLIDE BUTTON B	
	XF0205001	DECORATION PLATE A (CE8080PRW)	1000024596	62	XE6459001	BASE COVER	
	XF0652001	DECORATION PLATE A (CE8080)	1000025628	63	085411016	TAPTITE BIND B M4X10	
	XF4948001	DECORATION PLATE A (CE7070PRW)	1000032194	64	XE3360001	LOWER THREAD GUIDE LABEL	
30	XE8372001	DECORATION PLATE B (CE5500, CE5500T)					

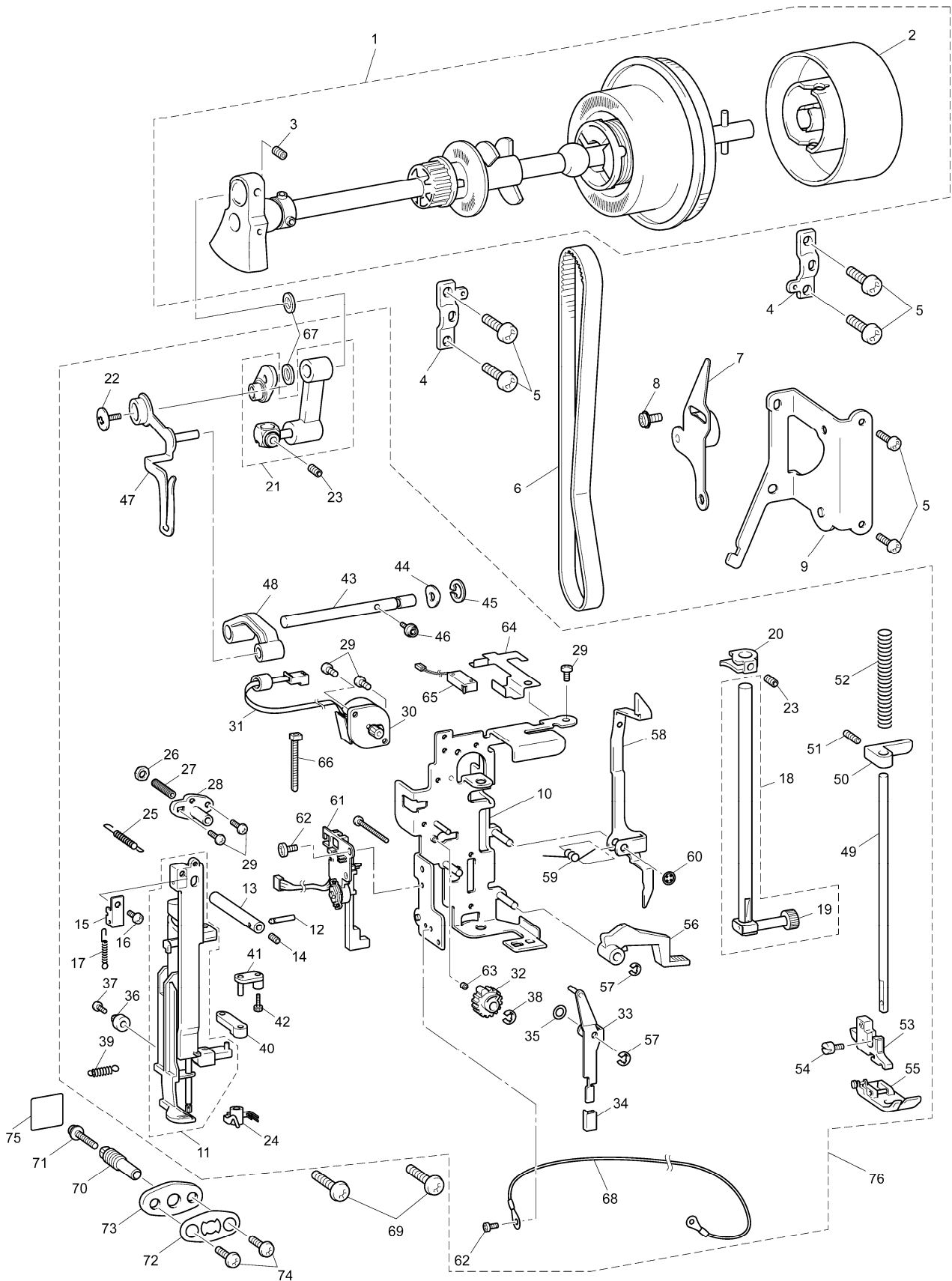
(1) MAIN FRAME / COVER



(1) MAIN FRAME / COVER

No.	CODE	NAME	REMARKS
65	XE6521001	MYLAR STICKER (CE5500PRW, CS5055PRW)	
	XF0209001	MYLAR STICKER (CE8080PRW)	1000024596
66	XE6522001	MYLAR STICKER OF FRONT (CE5500PRW, CS5055PRW)	
	XF0210001	MYLAR STICKER OF FRONT (CE8080PRW)	1000024596
	XF4952001	MYLAR STICKER OF FRONT (CE7070PRW)	1000032194
	XF1219001	ACCESSARY STICKER (CE5500: ARG, PRY, CE5500T, CE7070PRW)	1000028780

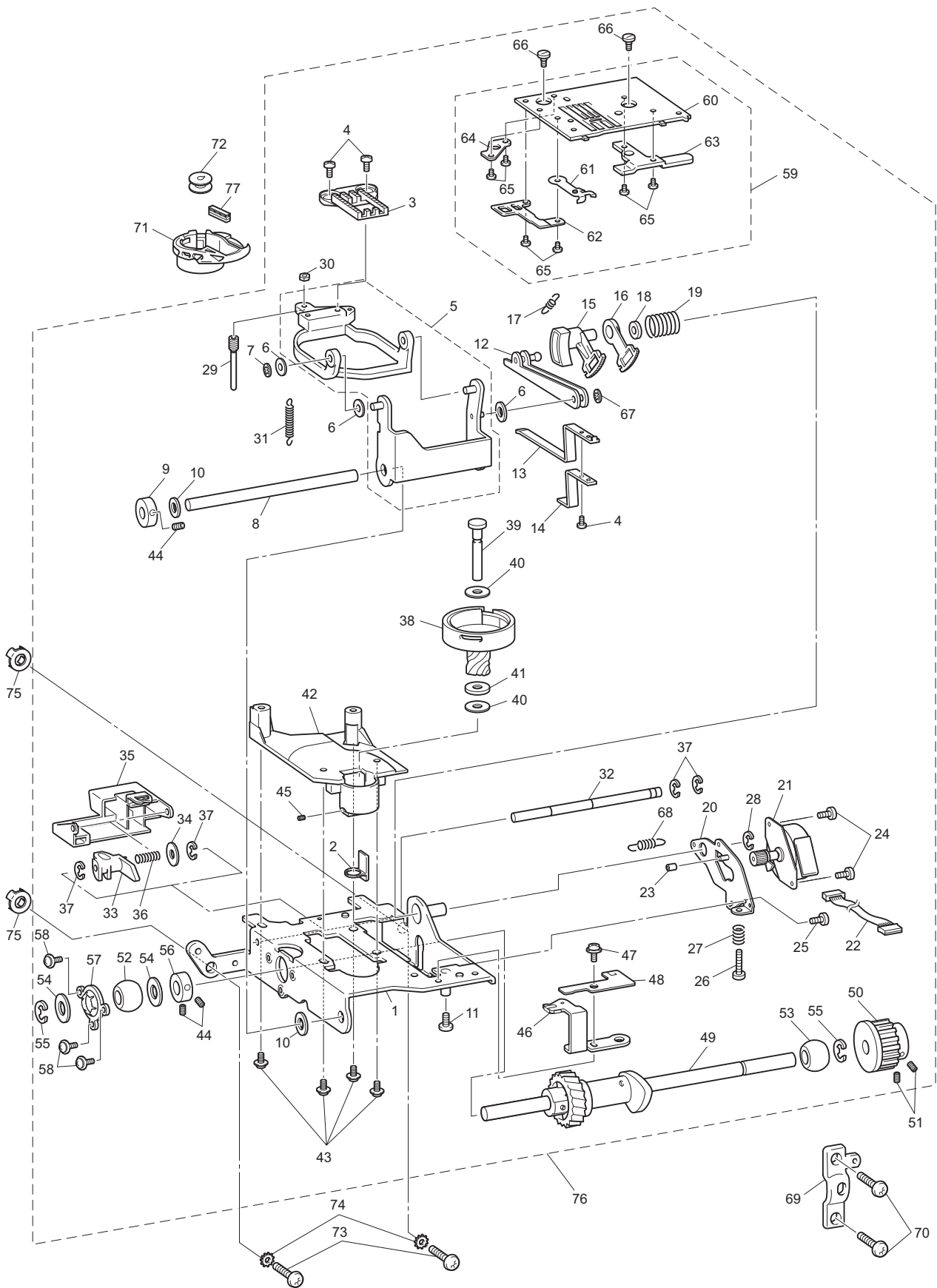
(2) UPPER SHAFT MECHANISM / NEEDLE BAR / PRESSER FOOT UNIT



(2) UPPER SHAFT MECHANISM / NEEDLE BAR / PRESSER FOOT UNIT

No.	CODE	NAME	REMARKS	No.	CODE	NAME	REMARKS
UPPER SHAFT MECHANISM				43	XC8765121	SHAFT	
1	XE7621001	UPPER SHAFT SUPPLY ASSY CP4		44	XZ5030001	WASHER, SPRING	
2	XC3529021	PULLEY		45	048050346	RETAINING RING E5	
3	012500532	SET SCREW SOCKET (FT) M5X5		46	XC3338021	SCREW 3X8	
4	XC3534121	UPPER SHAFT BEARING PRESSER		47	XC8564031	THREAD TAKE-UP LEVER	
5	XC3496021	GIZA TITE 5X16		48	XC4897020	THREAD TAKE-UP LEVER LINK	
6	XE5842001	TIMING BELT 420-5KC-6	1000034635	49	XC4898021	PRESSER BAR	
7	XC4870021	TENSION PULLEY ASSY		50	XC4899121	PRESSER BAR CLAMP	
8	0A4400806	SCREW PAN (S/P WASHER) M4X8		51	XC7207021	SCREW STUD M5	
9	XC8739020	TENSION PULLEY HOLDER		52	XC4900021	SPRING	
NEEDLE BAR / PRESSER FOOT UNIT				53	XE2555101	PRESSER FOOT HOLDER ASSY	
10	XC8741121	BASE HOLDER ASSY		54	132730122	TIGHTENING SCREW 3.57	
11	XE8695001	NEEDLE BAR SUPPORTER ASSY		55	XZ5134001	Z FOOT	1000031539
12	XC2420020	SHAFT		56	XC4902021	PRESSER FOOT LIFTER	
13	XC8754021	NEEDLE HOLDER SHAFT A		57	048040346	RETAINING RING E4	
14	014300532	SET SCREW SOCKET (CP) M3X5		58	XC8766020	THREAD RELEASE LEVER	
15	XC8755020	PLATE		59	XC4904121	SPRING	
16	060300516	SCREW BIND M3X5		60	146200021	RETAINING RING, CS4	
17	X50476021	SPRING		61	XC8767121	BH SWITCH ASSY	1000031597
18	XE3825001	NEEDLE BAR ASSY N		62	0A4400806	SCREW PAN (S/P WASHER) M4X8	
19	XE3827001	NEEDLE CLAMP SCREW		63	XC8773020	RUBBER	
20	XC2434021	NEEDLE THREAD BLOCK		64	XC8774021	PRESSER SWITCH HOLDER	
21	XF5017001	NEEDLE BAR CRANK ROD ASSY	1000032403	65	XC8775021	PF SWITCH ASSY, LE	
22	132051022	SCREW, FLAT SM3.57-40X7 L		66	X53169020	BAND	
23	012400432	SET SCREW SOCKET (FT) M4X4		67	X53330020	WASHER	1000025734
24	XA1854051	THREADER HOOK ASSEMBLY		68	XE3856001	LEAD WIRE ASSY: GROUND	
25	XC2429021	SPRING		69	XC4961021	GIZA TITE 5X20	
26	X56851021	LOCK NUT		70	XC4905121	ADJUSTING SCREW	
27	014401232	SET SCREW SOCKET (CP) M4X12		71	060302506	SCREW BIND M3X25	
28	XC8756021	SHAFT BUSHING		72	XC6056120	PLATE SPRING	
29	060300616	SCREW BIND M3X6		73	XC4906020	ADJUSTING PLATE	
30	XC8757021	Z PULSE MOTOR: M35SP-9N		74	085411016	TAPTITE BIND B M4X10	
31	XC8759021	LEAD WIRE ASSY, ZPM-LE		75	XC4907021	LABEL	
32	XC8760020	Z ZIGZAG CAM					
33	XC8761121	Z ZIGZAG LEVER ASSY		76	XE6416201	NEEDLE UNIT SUPPLY ASSY CP3	1000031917
34	XC8764020	Z LEVER CAP					
35	137713020	POLYESTER SLIDER					
36	XC2435020	ZIGZAG ADJUSTING NUT					
37	018301032	BOLT SOCKET M3X10					
38	048030346	RETAINING RING E3					
39	XC2748021	SPRING-Z					
40	XC2436021	NEEDLE HOLDER BLOCK					
41	XC2437021	SHAFT ASSY					
42	XC3037021	SCREW3X10					

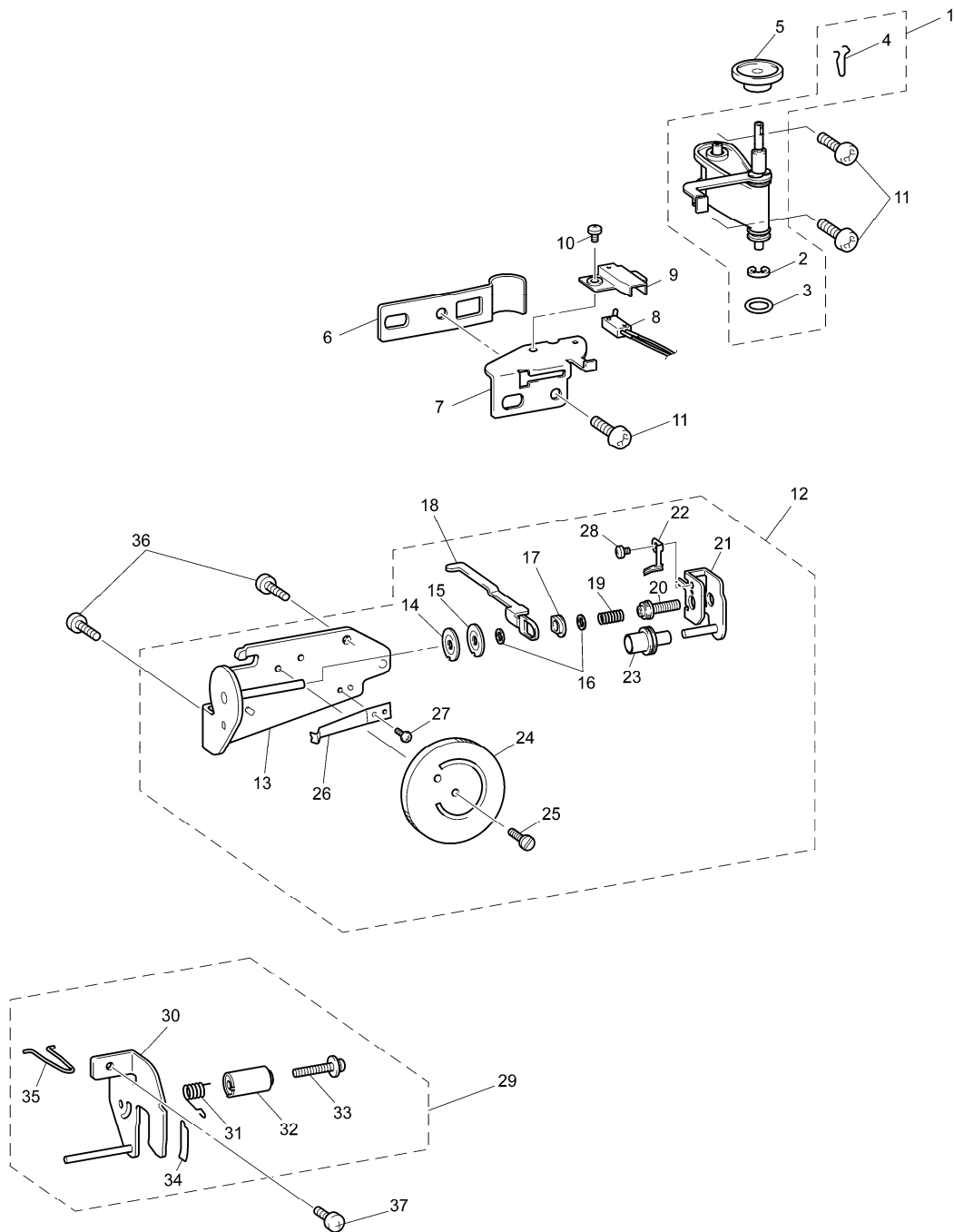
(3) FEED UNIT



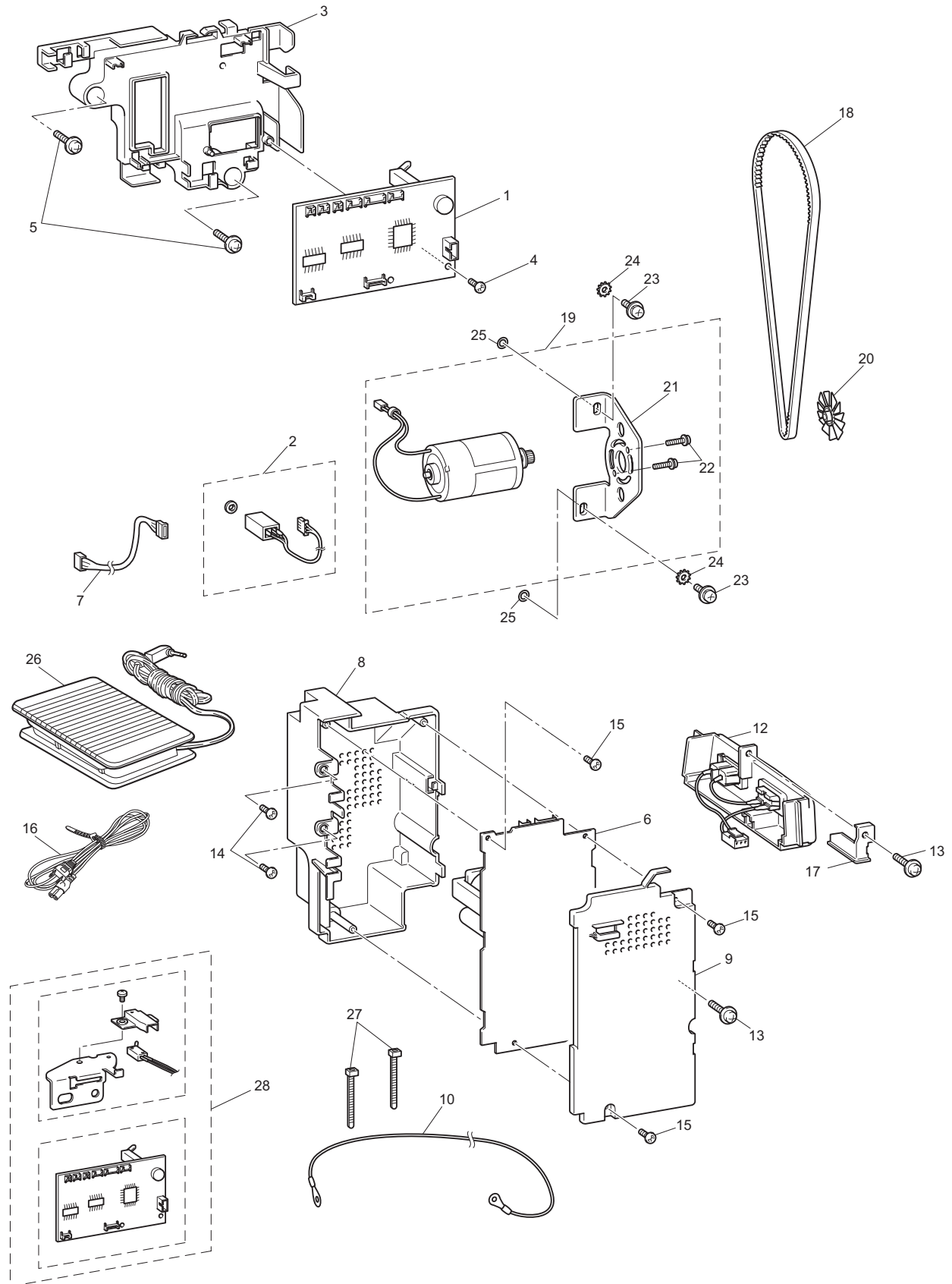
(3) FEED UNIT

No.	CODE	NAME	REMARKS	No.	CODE	NAME	REMARKS
1	XE6467201	BASE PLATE ASSY	1000033187	45	014400632	SET SCREW SOCKET (CP) M4X6	
2	XE5656001	FEED ARM SUPPORTER		46	XE7558001	INNER ROTARY HOOK BRACKET ASSY	
3	XE7489001	FEED DOG		47	0A5300806	SCREW PAN (S/P WASHER) M3X8	
4	060300616	SCREW BIND M3X6		48	XE7323101	IRH BRACKET SUPPORT PLATE	
5	XE2015201	FEED BAR ASSY		49	XC8796021	LOWER SHAFT ASSY	
6	137999020	POLYESTER SLIDER		50	XC4943021	TIMING PULLEY D	
7	146200021	RETAINING RING, CS4		51	014500532	SET SCREW SOCKET (CP) M5X5	
8	XC8789121	HORIZONTAL FEED SHAFT	1000032545	52	X52664020	LOWER SHAFT BUSHING	
9	130676121	SET SCREW COLLAR		53	XC3792020	UPPER SHAFT BUSHING	
10	X50546020	WASHER,THRUST		54	X51383020	WASHER,THRUST	
11	060301206	SCREW BIND M3X12		55	048060346	RETAINING RING E6	
12	XC4924021	FEED ARM ASSY		56	XC8798021	SET COLLAR	
13	XC4927021	FEED SUPPORTING PLATE		57	XC4944021	BUSHING PRESSER B	
14	XC4928120	FEED SUPPORTING PLATE B		58	085310616	TAPTITE BIND B M3X6	
15	XC2527121	FEED ADJUSTER		59	XE6468101	NEEDLE PLATE A ASSY	1000028832
16	XC2529020	F GEAR		60	XE6469001	NEEDLE PLATE A	
17	XC2530021	SPRING		61	XF2440001	STOPPER PLATE	1000028832
18	137713020	POLYESTER SLIDER		62	XE7164001	NEEDLE PLATE B SUPPORT PLATE	
19	XC2531021	SPRING		63	XE6471001	F GEAR STOPPER PLATE	
20	XC8791021	FPM HOLDER SUB ASSY		64	XE6472001	NEEDLE PLATE HOLDER	1000029081
21	XC8757021	Z PULSE MOTOR:M35SP-9N		65	060260316	SCREW BIND M2.6X3	
22	XC8793021	LEAD WIRE ASSY,FPM-LE		66	XE6473001	SCREW NEEDLE PLATE	
23	XC8773020	RUBBER		67	X56655021	RETAINING RING: CSTW-3.5	
24	060300416	SCREW BIND M3X4		68	XE1478101	SPRING	1000025521
25	XE6639001	SCREW3X8		69	XC3534121	UPPER SHAFT BEARING PRESSER	
26	018402533	BOLT SOCKET M4X25		70	XC3496021	GIZA TITE 5X16	
27	XC2537021	SPRING		71	XE7560001	INNER ROTARY HOOK ASSY	
28	XC9924021	RETAINING RING 10		72	XC3137000	PILE	
29	XC3941021	VERTICAL ADJUSTER SCREW ASSY		73	X52800120	BOBBIN	
30	XC2546021	M5 NUT		74	XC3805021	GIZA TITE 5X16	
31	XE1940001	SPRING		75	XZ5053001	WASHER EX TOOTH 5	
32	XC8794021	VERTICAL FEED SHAFT		76	XE8564001	UNIT WASHER	
33	XC2551020	VERTICAL LEVER					
34	025040332	WASHER PLAIN L 4		77	XE7622301	FEED UNIT SUPPLY ASSY CP4	1000033506
35	XC8795121	DROP KNOB					
36	XC2550021	SPRING					
37	048030346	RETAINING RING E3					
38	XD0115021	OUTER ROTARY HOOK ASSY					
39	XD1943021	OUTER ROTARY HOOK SHAFT					
40	137805022	SPACER					
41	137976021	WASHER 6					
42	XZ5092001	SHAFT SUPPORTER	1000025445				
43	0A4400806	SCREW PAN (S/P WASHER) M4X8					
44	014400432	SET SCREW SOCKET (CP) M4X4					

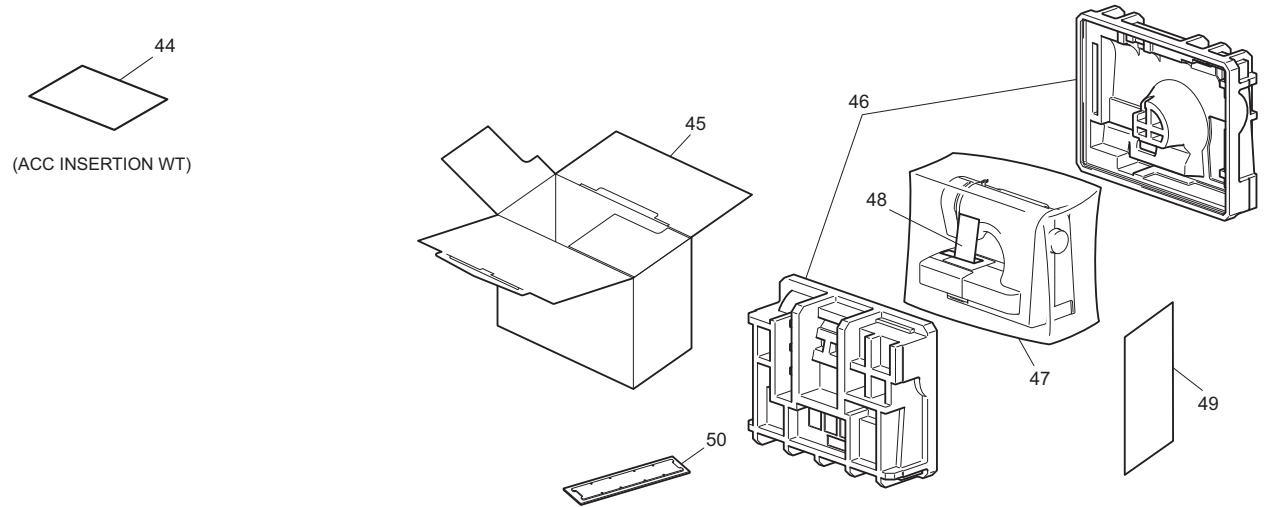
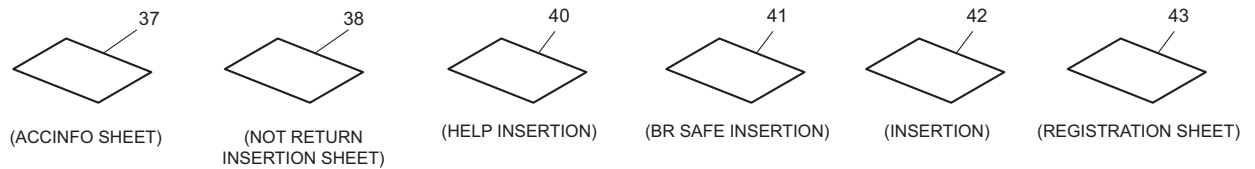
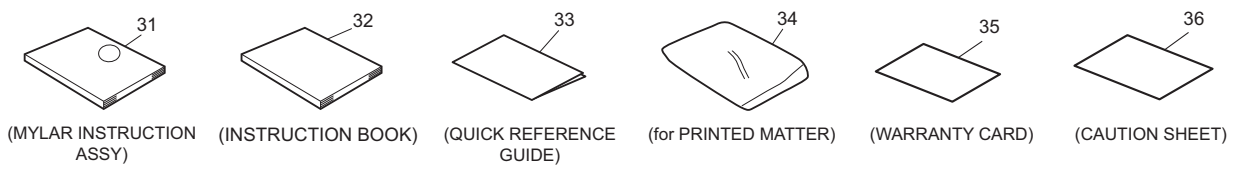
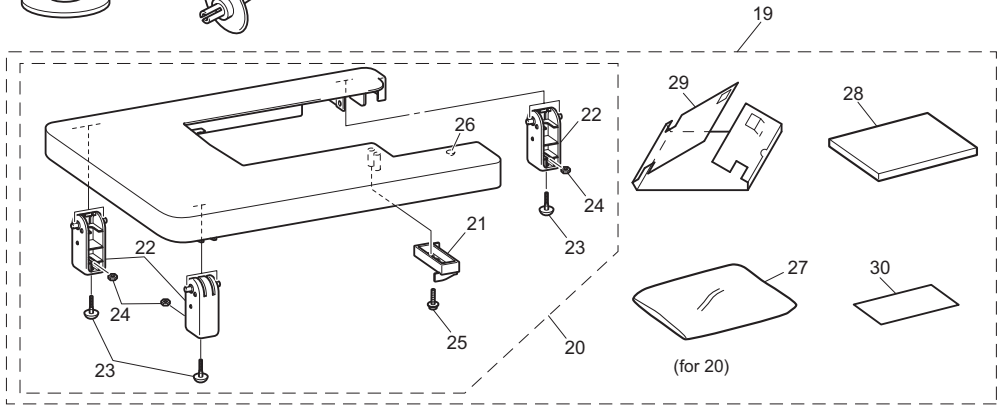
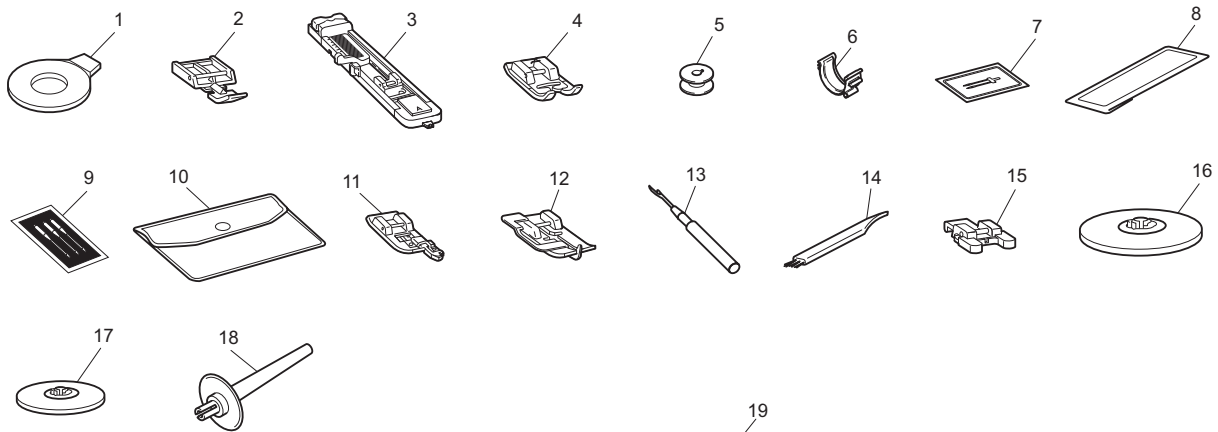
(4) BOBIN WINDING MECHANISM / NEEDLE THREADING MECHANISM



(5) ELECTRIC PARTS / MAIN MOTOR UNIT



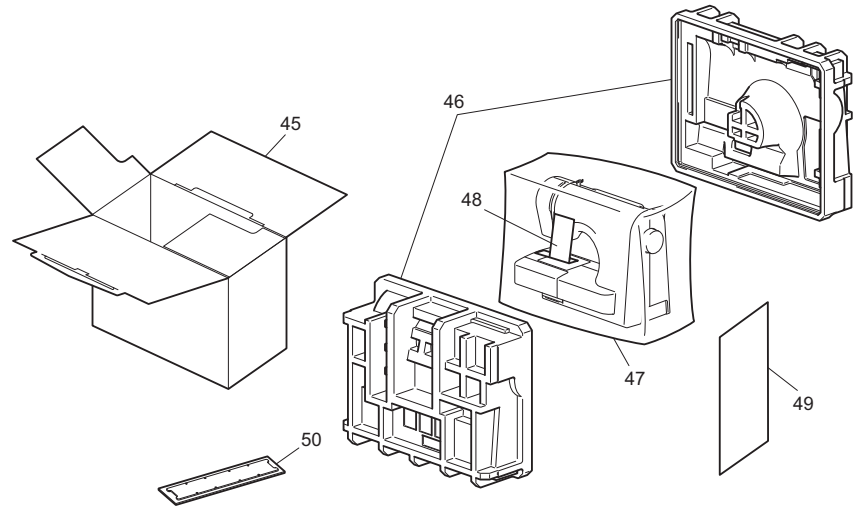
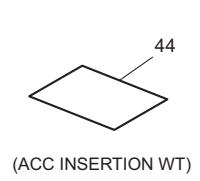
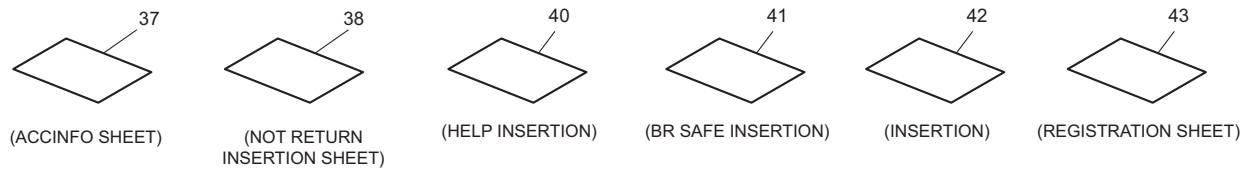
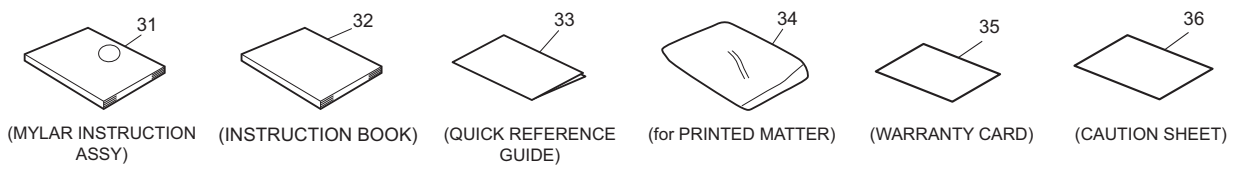
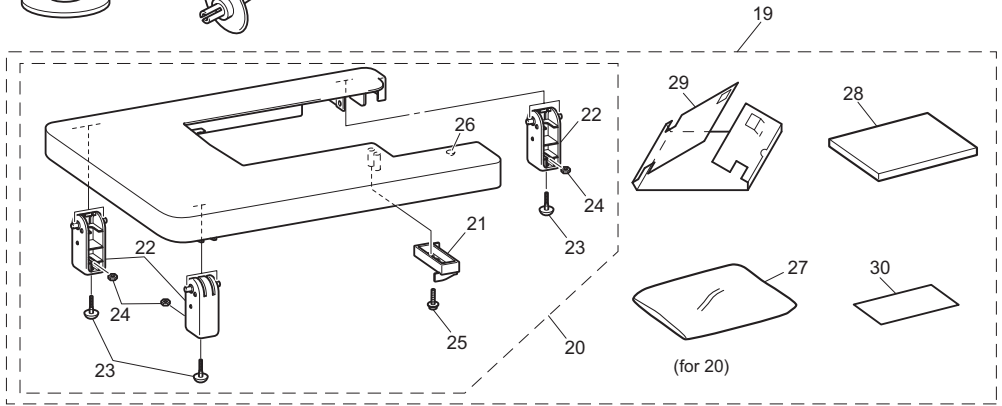
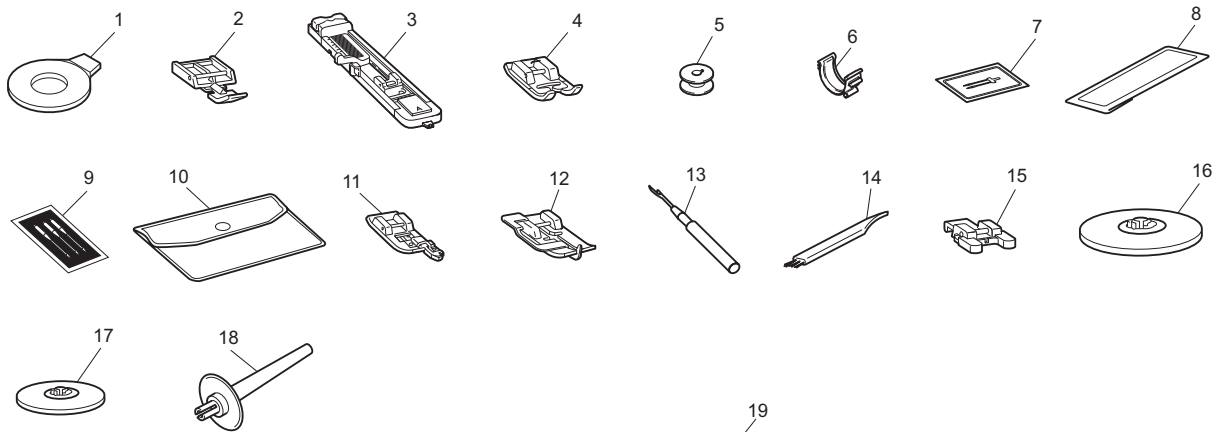
(6) ACCESSORY PARTS / USER MANUAL / OTHER PARTS / PACKAGE



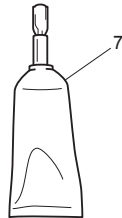
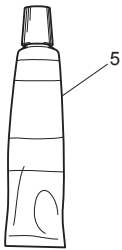
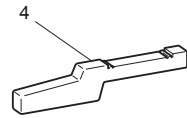
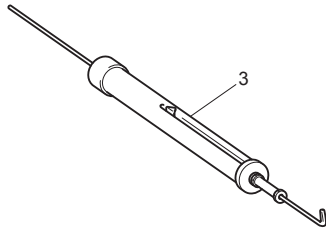
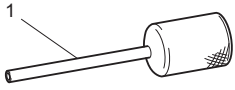
(6) ACCESSORY PARTS / USER MANUAL / OTHER PARTS / PACKAGE

No.	CODE	NAME	REMARKS	No.	CODE	NAME	REMARKS
ACCESSORY PARTS							
1	XC1074051	DISC-SHAPED SCREWDRIVER			XF0213001	INSTRUCTION BOOK ENG (English)	1000025628
2	X59370021	ZIPPER FOOT			XF0646001	INSTRUCTION BOOK FRE (French)	1000025628
3	XC2691033	BH PRESSER FOOT ASSY			XE6528201	INSTRUCTION BOOK ENG (CE5500T for English)	1000029814
4	XD0810031	TRANSPARENCY PRESSER FOOT			XE8757101	INSTRUCTION BOOK FRE (CE5500T for French)	1000029814
5	X52800120	BOBBIN		33	XE6531001	QUICK REFERENCE GUIDE (CE5500, CE5500PRW, CS5055PRW, CE5500T, CE7070PRW)	
6	XE3060001	BOBBIN CLIP (CE5500PRW, CS5055PRW)			XF0216001	QUICK REFERENCE GUIDE (CE8080PRW, CE8080)	1000024596
7	131096121	NEEDLE SET (1 PCE)			XF5625001	QUICK REFERENCE GUIDE (CE7070PRW)	1000033459
8	XC8834021	NEEDLE SET		34	130800021	BAG 230X310H	
9	XD0360021	NEEDLE SET G		35	XF5055001	STANDARD WARRANTY FOR US (USA)	1000032973
10	XC4487021	ACCESSORY BAG			XE8671001	WARRANTY CARD BROTHER CANADA (CAN)	1000025628
11	XE6305101	OVERCASTING STITCH FOOT ASSY		36	XD0120021	CAUTION SHEET S33	
12	XC4051031	BLIND STITCH FOOT ASSY		37	XC7488121	ACCINFO SHEET	
13	XZ5082001	SEAM RIPPER		38	XE4888001	NOT RETURN INSERTION SHEET (CE5500PRW, CE8080PRW, CS5055PRW, CE7070PRW)	
14	X59476021	CLEANING BRUSH		39	XE4987001	INSERTION SHEET	1000027891
15	XE2137001	BUTTON SEWING FOOT		40	XE8130001	HELP INSERTION ASSY (CE5500PRW, CE8080PRW, CS5055PRW)	
16	130012024	SPOOL PRESSER A		41	XF0726001	BR SAFE INSERTION (BRA)	1000025726
17	130013124	SPOOL PRESSER B		42	XE6623001	INSERTION (CE8080, CE5500T)	1000025628
18	XE2241001	EXTRA SPOOL PIN			XF3999101	INSERTION FOR AC POWER	1000032938
19	XC9809121	LE WIDE TABLE ASSY US (CE7070PRW)	1000032194	43	XE9639001	REGISTRATION SHEET	1000031871
20	XC9357121	WIDE TABLE SUB ASSY (CE7070PRW)	1000032194	44	XF5115001	ACC INSERTION WT (CE7070PRW)	1000032194
21	XC9360021	FIXING PLATE A (CE7070PRW)	1000032194				
22	XC4495021	TABLE FOOT (CE7070PRW)	1000032194				
23	XD1223021	ADJUSTING FOOT (CE7070PRW)	1000032194				
24	021400206	NUT 2 M4 (CE7070PRW)	1000032194				
25	087411416	TAPTITE CUP B M4X14 (CE7070PRW)	1000032194				
26	X59853020	RUBBER CUSHION (CE7070PRW)	1000032194				
27	X61231021	BAG 400X500H (CE7070PRW)	1000032194				
28	XC9361020	LE WIDE TABLE CARTON CE7070PRW)	1000032194				
29	XC9362120	PAD (CE7070PRW)	1000032194				
30	XC9802021	INSTRUCTION MANUAL (CE7070PRW)	1000032194				
USER MANUAL / OTHER PARTS							
31	XF0212001	MYLAR INSTRUCTION ASSY ENG (CE8080PRW for USA)	1000024596				
	XE6527201	MYLAR INSTRUCTION ASSY ENG (CE5500PRW, CS5055PRW, CE7070PRW for USA)					
	XF0214001	MYLAR INSTRUCTION ASSY SPA (CE8080PRW for USA)	1000024596				
	XE6529201	MYLAR INSTRUCTION ASSY SPA (CE5500PRW, CS5055PRW, CE7070PRW for USA)					
32	XF0215001	INSTRUCTION BOOK SPA (Spanish)					
	XF0134101	INSTRUCTION BOOK BR (Portuguese)	1000027794				

(6) ACCESSORY PARTS / USER MANUAL / OTHER PARTS / PACKAGE



SPARE PARTS



brother®

01A10HF885V61