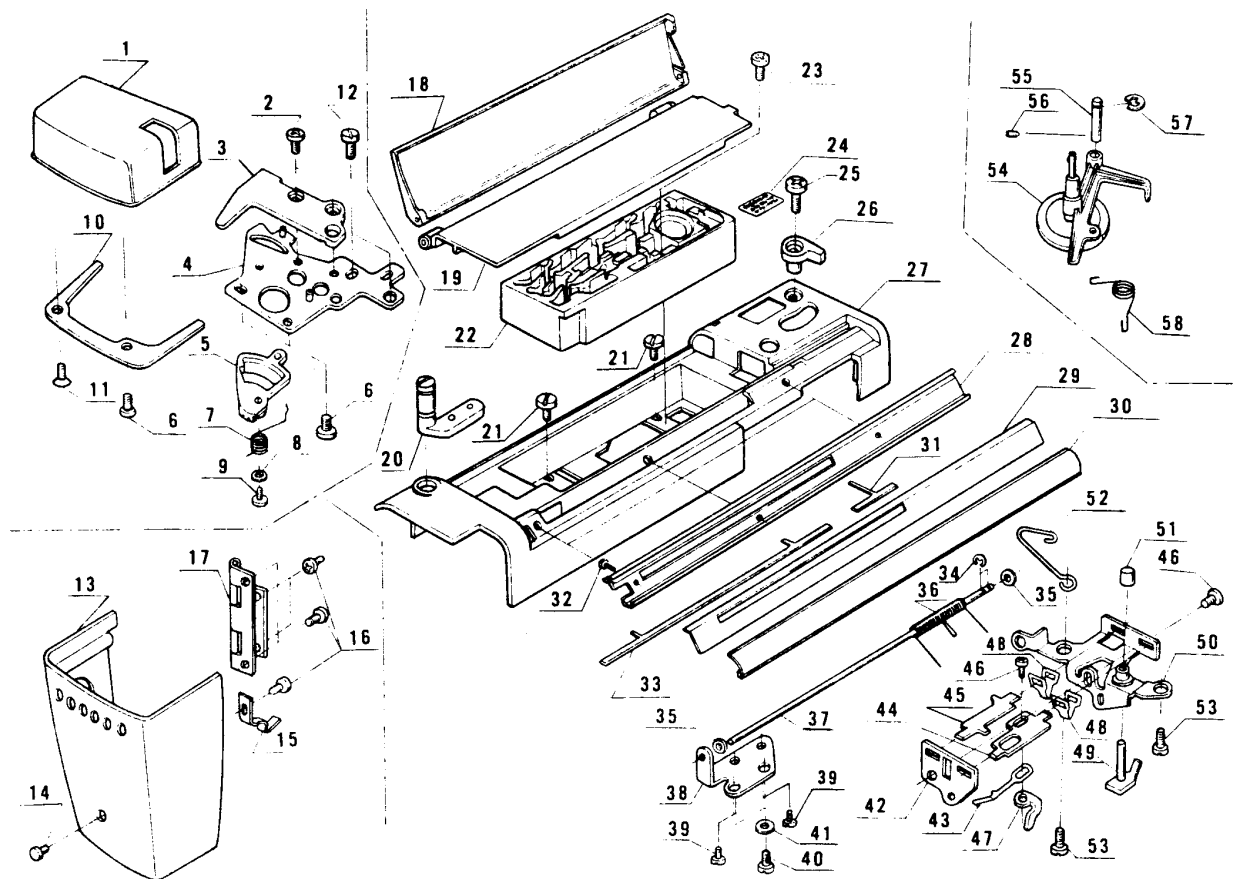


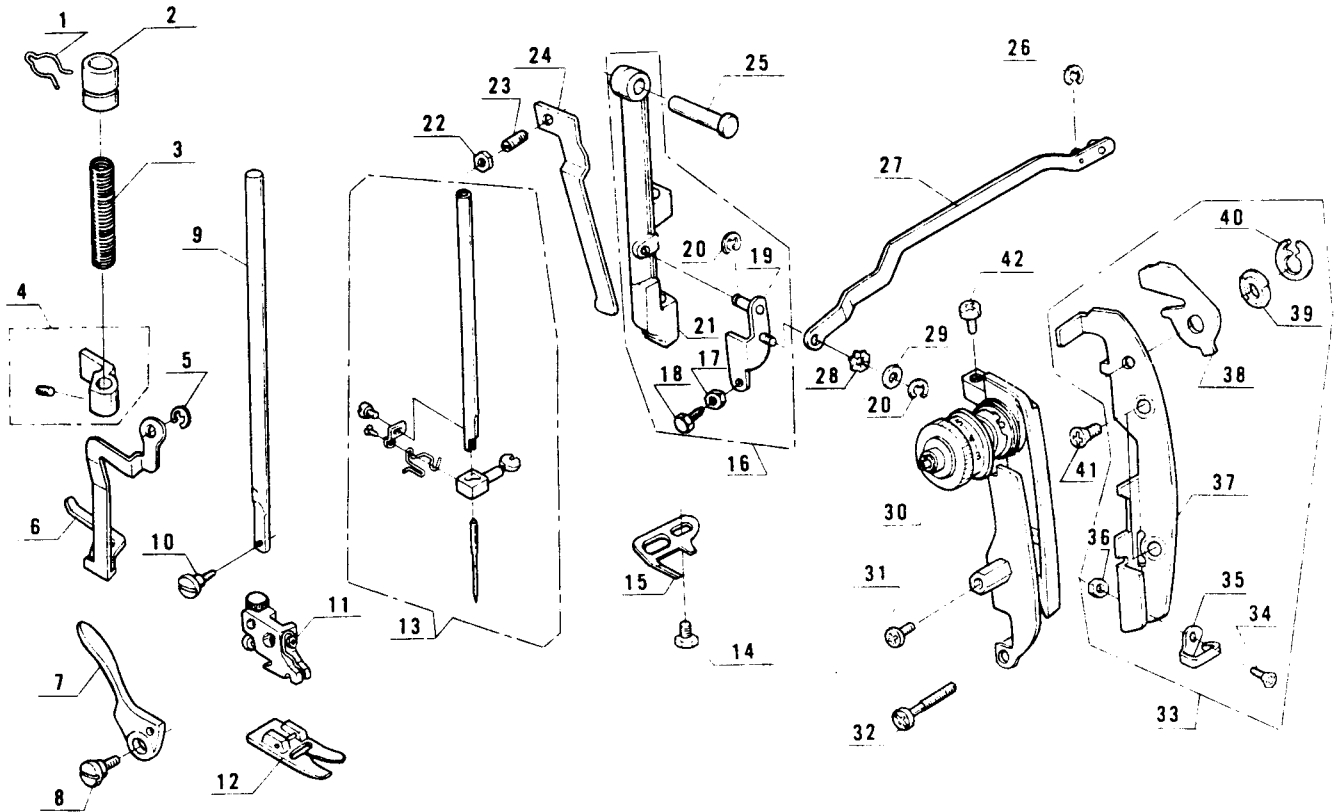
PARTS LIST

**for Model
900**

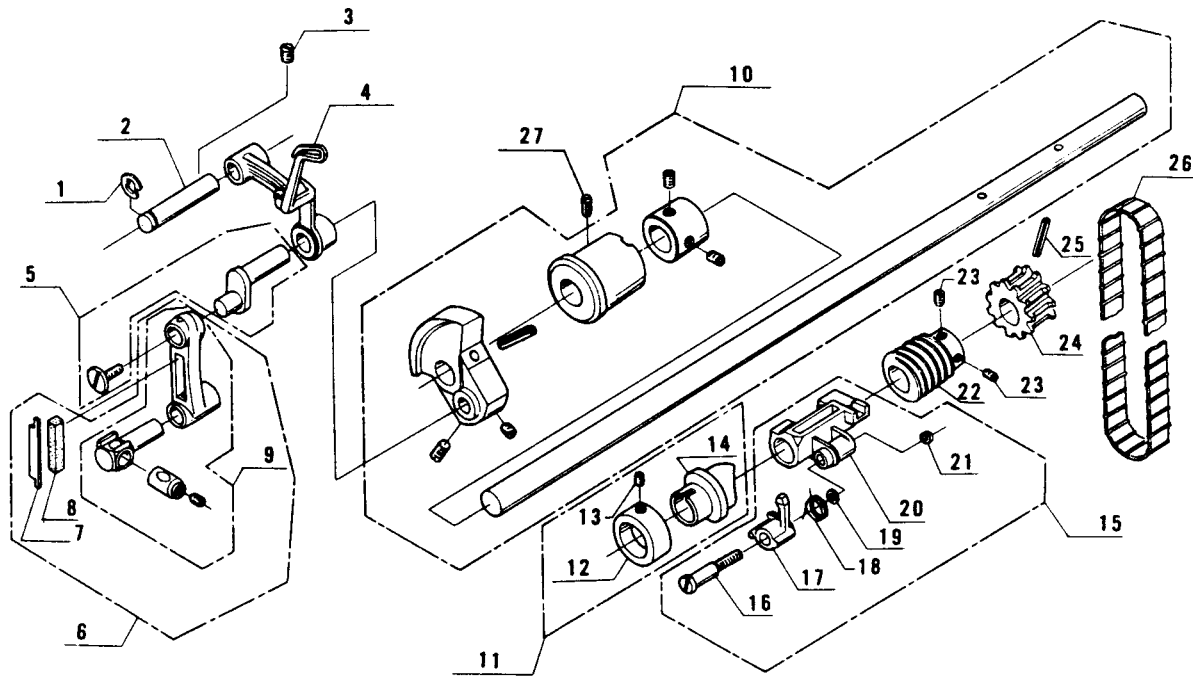
**Janome
New Home**



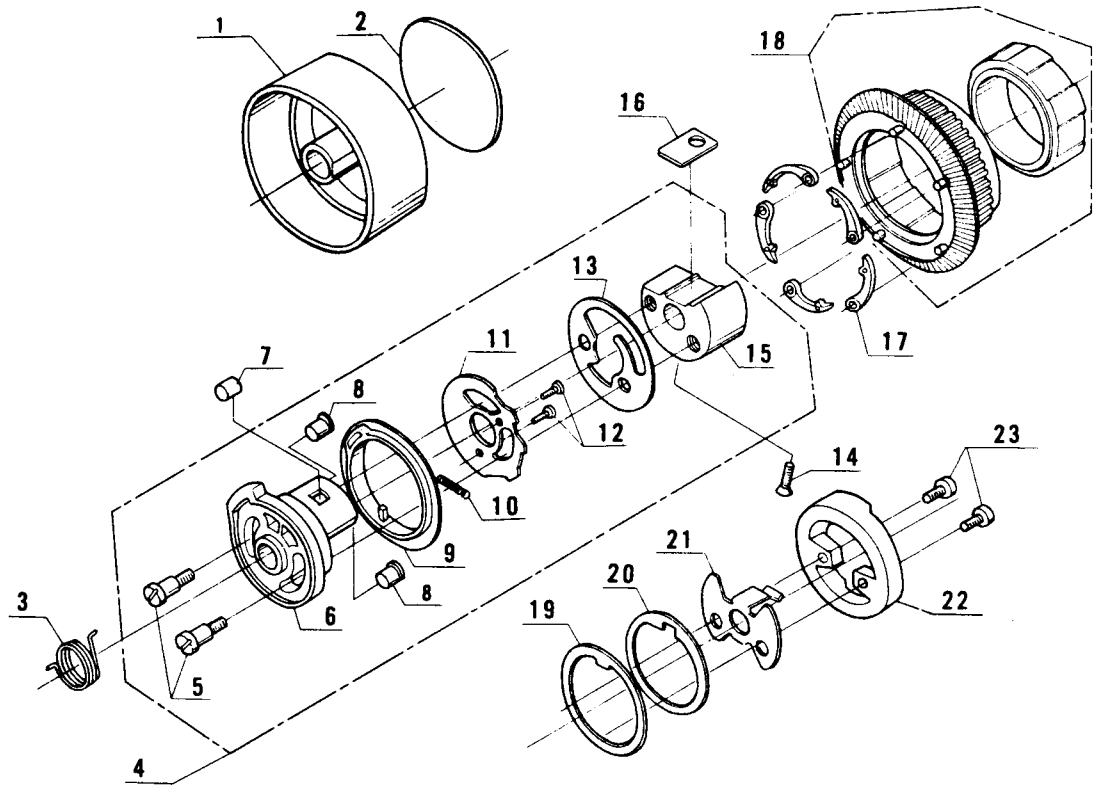
ef. No.	Parts No.	Names of Parts	Ref. No.	Parts No.	Names of Parts
1	810035102	Upper front cover	30	810004009	Pattern indicating plate frame (unit)
2	000077112	+ pan head small screw 3 x 5	31	810032006	Strap (rear)
3	810040007	Thread guide	32	810007002	Set screw
4	810037001	Thread guide set plate	33	810031005	Strap (front)
5	810038002	Auxiliary spring guide bracket	34	000002301	Snap ring E-2
6	000100300	+ pan head small screw 3.5 x 5	35	810022003	Top cover lid hinge ring
7	810039003	Auxiliary spring	36	810023004	Top cover lid releasing spring
8	000070104	Plain washer 3	37	810020012	Top cover lid hinge shaft
9	000100403	+ pan head screw 3 x 14	38	810024005	Top cover lid hinge
10	810036000	Front cover strap	39	000103602	+ binding head small screw 3.5 x 5
11	000069214	+ flat head set screw 3.5 x 8	40	000075800	+ pan head T screw 3 x 8 - 2V
12	810220003	Set screw	41	000070104	Plain washer 3
13	812036xxx	Face plate	42	812012000	Lid opener stopper holder
14	810034xxx	Face plate light indicator	43	810016004	Inner lid opener releasing spring
15	670038002	Face plate spring	44	810015003	Lid opener stopper
16	000077503	+ pan head screw 4 x 6	45	810018006	Inner lid opener stopper
17	366501009	Face plate hinge (unit)	46	000100207	+ pan head small screw 3 x 4
18	813602xxx	Top cover lid (unit)	47	810017005	Lid opener releasing claw
19	813603xxx	Inner lid (unit)	48	810019007	Lid opener stopper spring
20	810501001	Bobbin winder thread guide bracket (unit)	49	810014002	Lid opener button shaft
21	366003109	Set screw	50	810011009	Lid opener bracket
22	811003001	Presser feet compartment	51	810013xxx	Lid opener button
23	000078319	+ binding head small screw 3 x 6	52	810029000	Top cover thread guide
24	366006009	Sewing guide chart sticker	53	000103004	+ binding head small screw 3.5 x 6
25	000103107	+ binding head small screw 4 x 14	54	810512005	Bobbin winder (unit)
26	540048102	Bobbin winder stopper	55	810389001	Bobbin winder arm shaft
27	810003101	Top cover	56	000082501	Set screw 4 x 6
28	810006001	Pattern panel frame supporter	57	000001506	Snap ring E-4
29	810005xxx	Stitch pattern panel	58	810388000	Bobbin winder spring



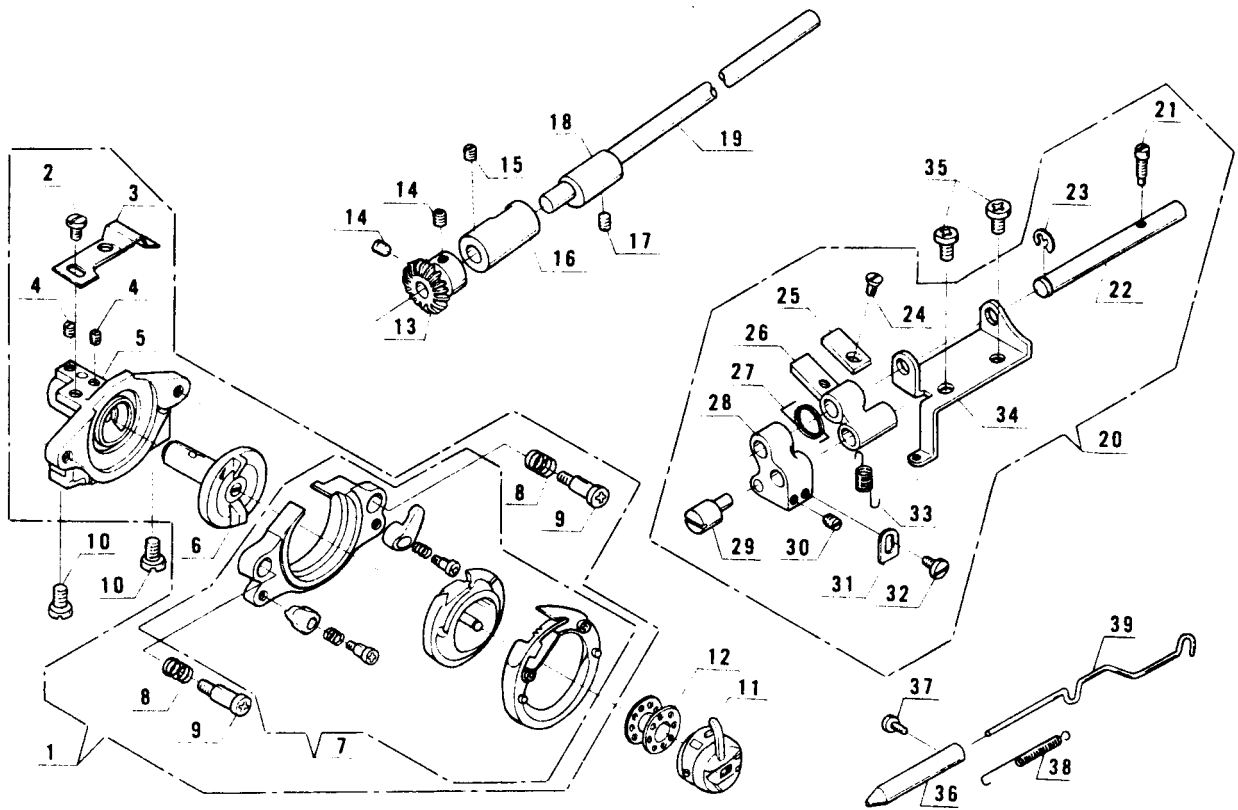
Ref. No.	Parts No.	Names of Parts	Ref. No.	Parts No.	Names of Parts
1	802022008	Snap retainer	22	000061412	Nut 5-3-8
2	810048005	Presser bar bushing	23	000082408	Set screw 5 x 12
3	366024003	Presser bar spring	24	810046003	Needle bar supporter spring
4	810518001	Presser bar guide bracket (unit)	25	672036006	Needle bar supporter pin
5	000001207	Snap ring E-2.5	26	000001207	Snap ring E-2.5
6	810050000	Tension releasing rod	27	810233009	Needle bar vibrating rod
7	810051001	Presser bar lifter	28	810167001	Spring washer
8	810431009	Hinge screw	29	672158005	Plain washer
9	102801008	Presser bar	30	810503003	Thread guide body (unit)
10	102012004	Thumb screw	31	000103602	+ binding head small screw 3.5 x 5
11	804509000	Foot holder (unit)	32	000104108	+ binding head small screw 4 x 20
12	802508003	Normal presser foot (unit)	33	810606007	Thread guide plate (unit)
13	810519002	Needle bar (unit)	34	670047004	+ flat head screw
14	000066303	Bolt 4 x 6	35	673026006	Thread guide
15	673034007	Needle bar supporter stopper	36	670048005	Nut
16	810656013	Needle bar supporter (unit)	37	810052002	Thread guide plate
17	000061205	Nut 4-3-7	38	810053003	Chain stitch thread guide
18	810451005	Needle drop adjusting screw	39	540058002	Spring washer
19	810441002	Needle bar supporter link	40	000014605	Snap ring (Grip-6)
20	000002507	Snap ring E-4	41	000066532	+ flat head small screw 4 x 8
21	810440001	Needle bar supporter	42	000103004	+ blinding head small screw 3.5 x 6



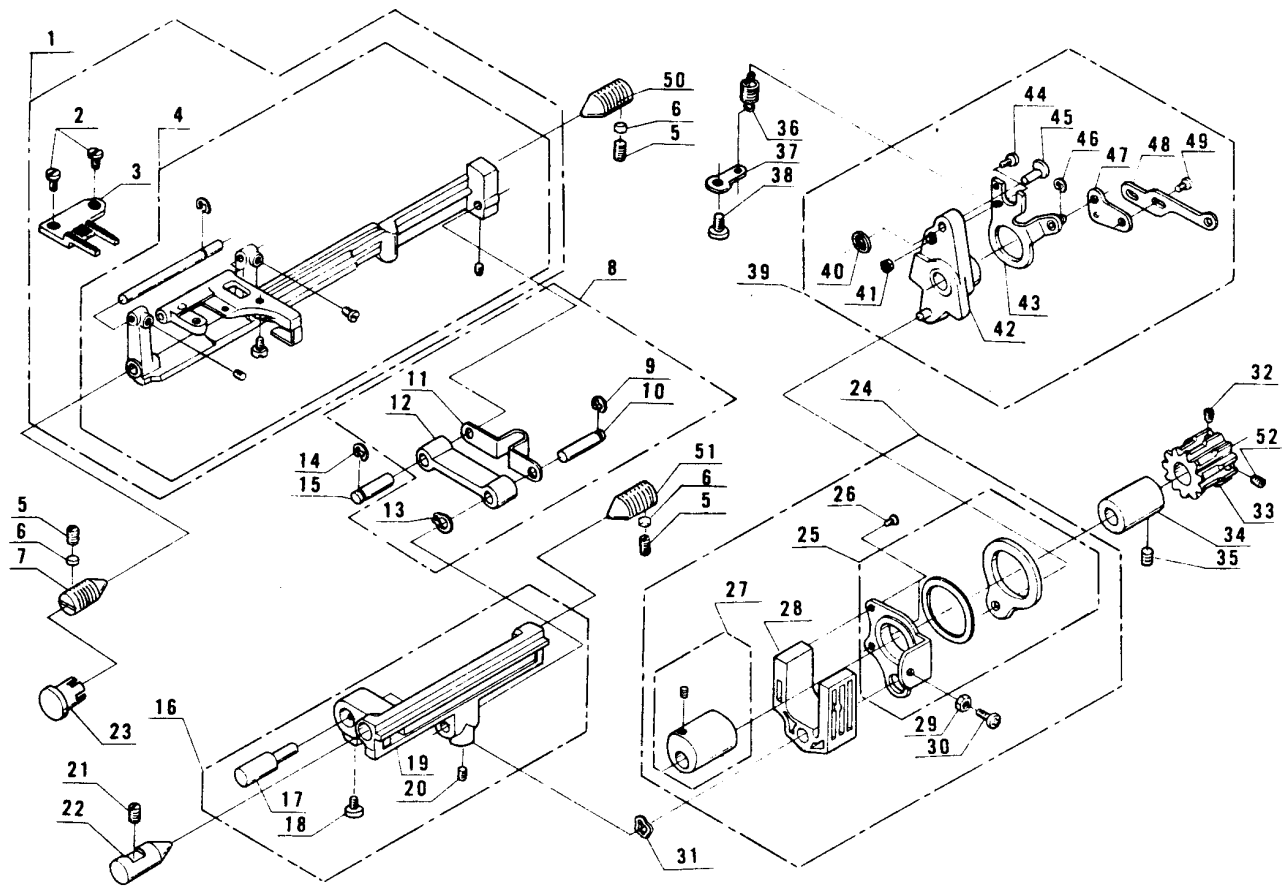
Ref. No.	Parts No.	Names of Parts	Ref. No.	Parts No.	Names of Parts
1	000001702	Snap ring E-6 (D)	14	810091003	Pattern selector declutch cam
2	802028004	Thread take-up lever link hinge stud	15	810608009	Pattern selector declutch bracket (unit)
3	102063000	Set screw	16	810096008	Selector declutch hinge screw
4	810507007	Thread take-up lever	17	810094006	Selector declutch claw
5	673520005	Needle bar crank pin (unit)	18	810095007	Selector declutch claw spring
6	810655001	Needle bar connecting stud (complete)	19	000070218	Plain washer 3
7	810438006	Felt holder plate spring	20	810093005	Selector declutcher
8	810437005	Felt	21	000061803	Nut 3-3-5.5
9	810502002	Needle bar connecting stud (unit)	22	810089008	Upper shaft worm gear
10	810508008	Upper shaft (unit)	23	673208004	Hexagon socket screw
11	810607008	Pattern selector declutch cam (unit)	24	810090002	Upper shaft timing gear
12	810092004	Selector declutch cam ring	25	000004200	Spring pin 3 x 18
13	607058002	Hexagon socket screw	26	801605008	Clip belt
			27	761079000	Set screw



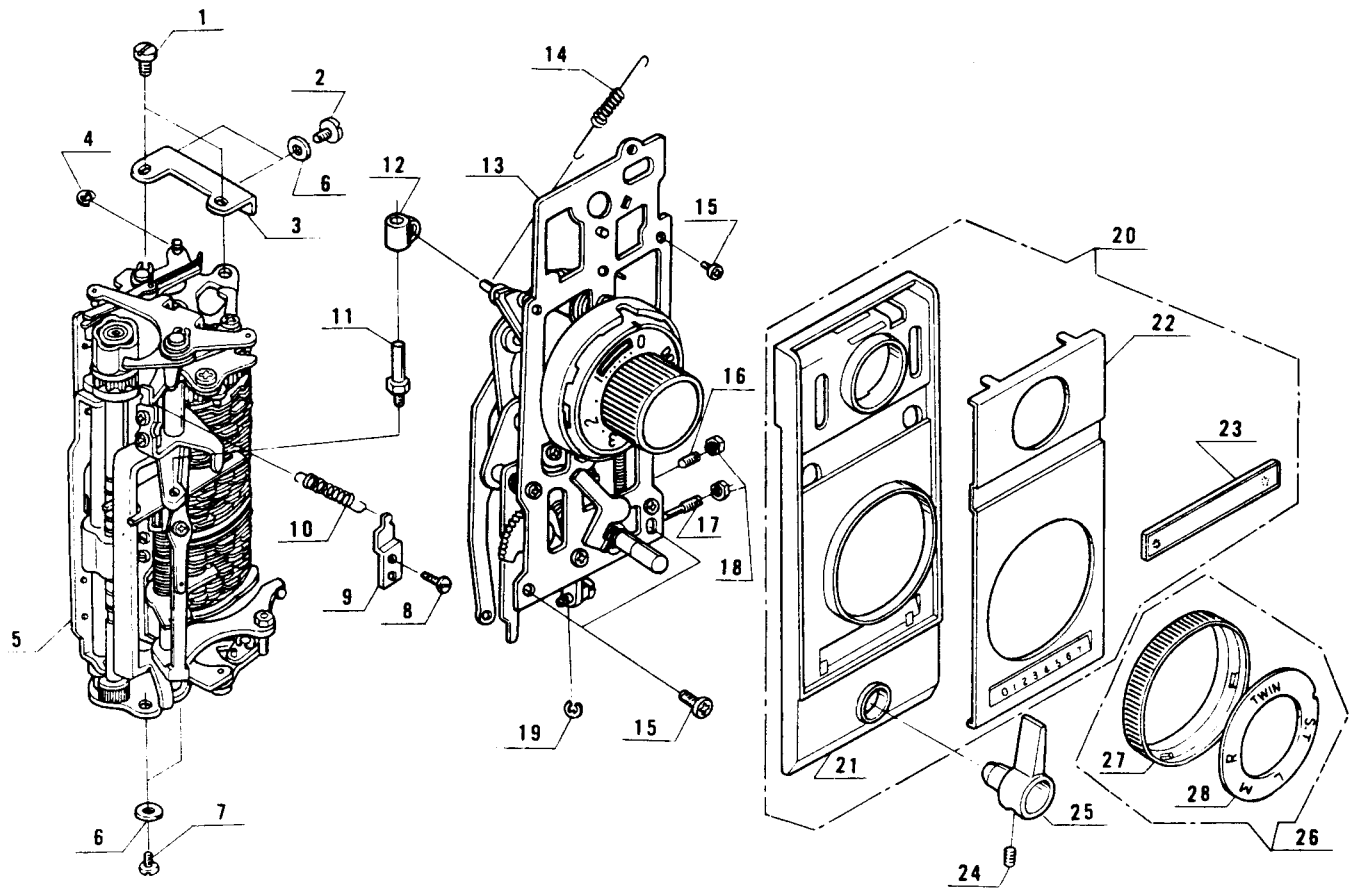
Ref. No	Parts No.	Names of Parts	Ref. No.	Parts No.	Names of Parts
1	813019006	Balance wheel	13	810098011	Balance wheel presser (1)
2	810114003	Balance wheel lid	14	000102106	+ Flat head small screw 4 x 12
3	811005003	Stopper cam spring	15	810097010	Balance wheel bushing
4	811603018	Balance wheel bushing (unit)	16	810106002	Declutch roller holding plate
5	810104000	Stopper screw	17	811006004	Claw
6	810099001	Stopper cam	18	810522008	Upper shaft belt pulley (unit)
7	810107003	Declutching lever roller	19	810422007	Balance wheel washer
8	810103009	Cushion	20	810426001	Balance wheel spring washer
9	811016007	Stopper releasing ring	21	810111000	Balance wheel presser (2)
10	811004002	Stopper releasing cam spring	22	813020000	Upper shaft balance weight
11	810102008	Claw releasing plate	23	000070000	+ Pan head small screw 4 x 14
12	000075800	+ Pan head T screw 3 x 8-2V			



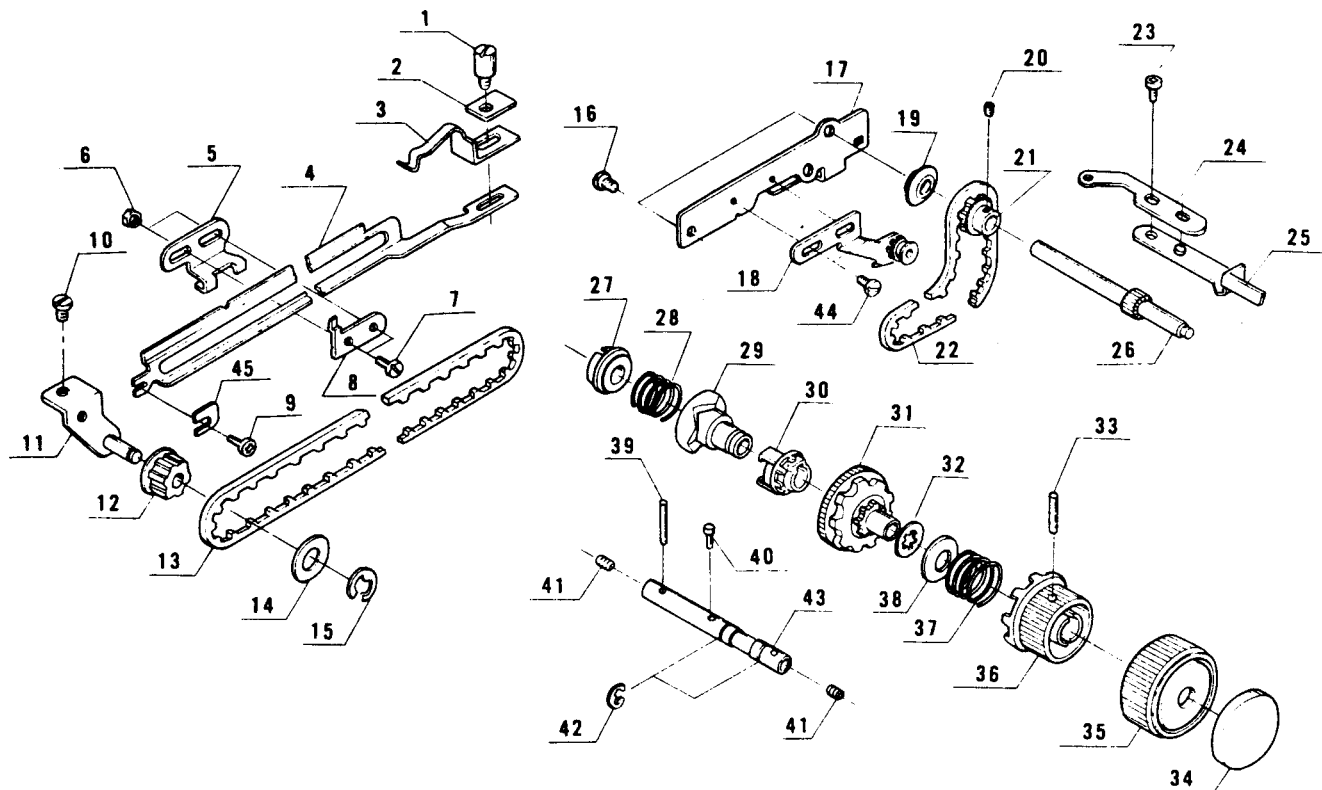
Ref. No.	Parts No.	Names of Parts	Ref. No.	Parts No.	Names of Parts
1	812614004	Hook and supporter (unit)	21	320057003	Set screw
2	102021109	Set screw	22	605027006	Feed lifting rock shaft
3	605015001	Gear cover plate	23	000001702	Snap ring E-6 (D)
4	764076006	Set screw	24	365032001	Flat head screw
5	605014000	Hook supporter base	25	605030002	Feed lifting arm plate
6	673521006	Hook driver (unit)	26	605029008	Feed lifting arm
7	812509005	Hook race (unit)	27	605034006	Feed lifting adjust arm spring
8	673205001	Coil spring	28	605032004	Feed lifting adjust arm
9	673294007	Hinge screw	29	673113001	Feed lifting arm roller stud
10	672062001	Set screw	30	761031000	Set screw
11	810520006	Bobbin case (unit)	31	673125006	Feed lifting stopper
12	102115008	Bobbin	32	102021109	Set screw
13	673078003	Lower shaft gear	33	605031003	Feed lifting arm spring
14	000110107	Hexagon socket wp set screw 5 x 5	34	605028007	Feed lifting rock shaft base
15	000082202	Set screw 5 x 5	35	000100609	+ Pan head small screw 5 x 10
16	605013009	Lower shaft bushing (front)	36	812027004	Drop feed plunger
17	102063000	Set screw	37	000077112	+ Pan head small screw 3 x 5
18	673108003	Feed lifting cam	38	812029006	Drop feed plunger spring
19	810115004	Lower shaft	39	812028016	Drop feed plunger connecting rod
20	605606005	Feed lifting arm (unit)			



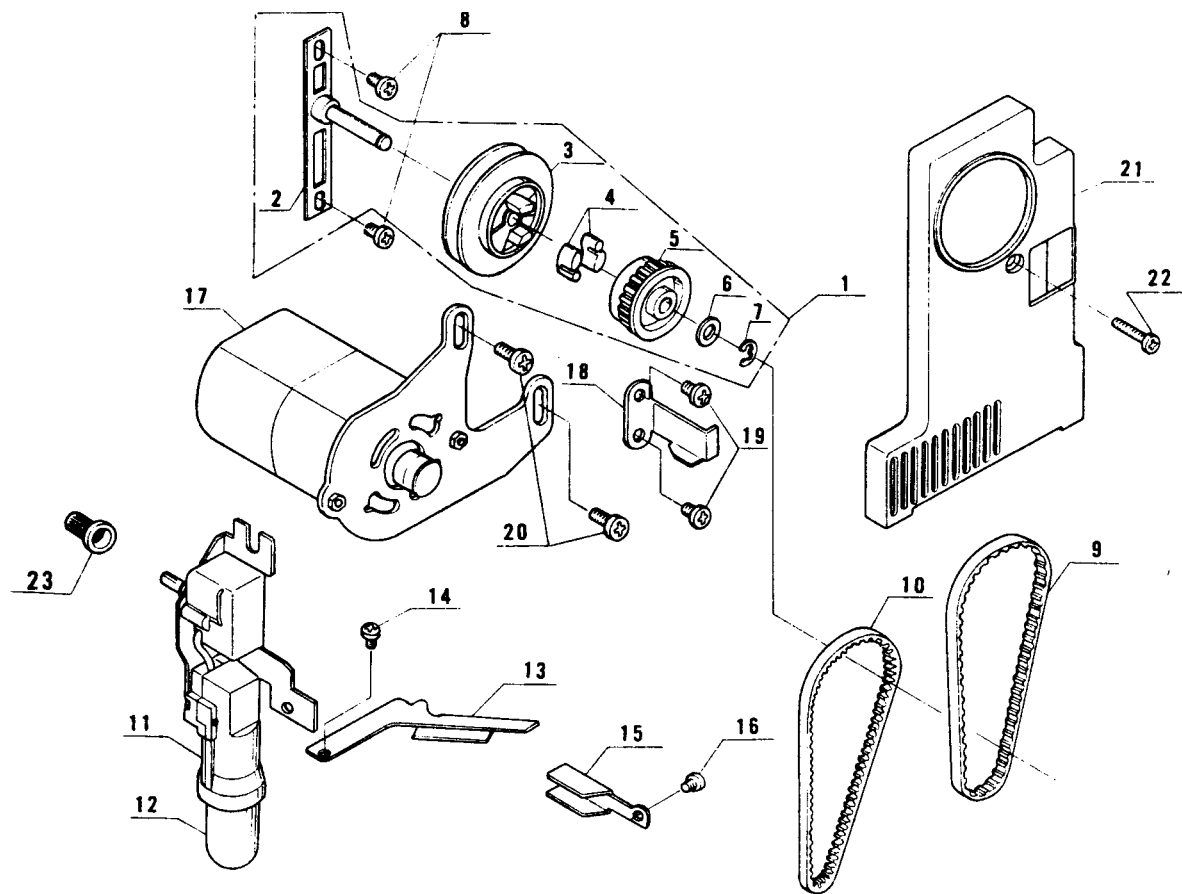
Ref. No.	Parts No.	Names of Parts	Ref. No.	Parts No.	Names of Parts
1	812606014	Feed rock shaft (unit)	26	000075707	+ flat head T screw 3 x 12-2V
2	761056104	Feed dog set screw	27	812508004	Feed lifting cam (unit)
3	605024117	Feed dog	28	810117006	Feed fork
4	812503009	Feed rock shaft (unit)	29	000061205	Nut 4-3-7
5	000082305	Set screw 5 x 10	30	000077617	+ pan head small screw 4 x 10
6	810449000	Cusion plate	31	810436004	Spring washer
7	532030003	Feed rock shaft center screw	32	673208004	Hexagon socket screw
8	812604001	Feed rock link (unit)	33	801019009	Oscilating shaft timing gear
9	000002507	Snap ring E-4	34	673076001	Oscilating shaft bushing (rear)
10	812022009	Feed rock shaft pin	35	000082305	Set screw 5 x 10
11	812055001	Feed rock link spring	36	812048001	Feed regulator arm spring
12	812023000	Feed rock link	37	812049002	Feed regulator arm spring base plate
13	000014708	Snap ring (Grip-5)	38	000100001	+ pan head small screw 5 x 6
14	000002507	Snap ring E-4	39	812605002	Feed regulator arm (unit)
15	812022009	Feed rock shaft pin	40	000014007	Snap ring CS-4
16	812607004	Intermediate link (unit)	41	000062701	Nut 3.5-3-6
17	812026003	Feed fork connecting pin	42	812018002	Feed regulator arm
18	000080602	Pan head small screw 5 x 10	43	812019003	Feed regulator arm plate
19	812024001	Intermediate link	44	000103303	+ binding head small screw 3.5 x 12
20	000082501	Set screw 4 x 6	45	812020007	Feed regulator pin
21	000082305	Set screw 5 x 10	46	000002105	Snap ring E-3
22	609031005	Intermediate link center	47	810126008	Feed rod (2)
23	605020205	Feed rock shaft cap	48	810125007	Feed rod (1)
24	812612002	Feed fork (unit)	49	000077503	+ pan head small screw 4 x 6
25	810510003	Link supporter (unit)	50	102130009	Feed rock shaft center screw
			51	102206007	Intermediate link center screw
			52	000110107	Hexagon socket wp set screw 5 x 5



Ref. No.	Parts No.	Names of Parts	Ref. No.	Parts No.	Names of Parts
1	761042004	Set screw	15	810220003	Set screw
2	000103509	+ binding head small screw 4 x 10	16	810224007	Set screw
3	810657003	Zigzag cam block frame set plate (unit)	17	810223006	Feed adjusting screw
4	000002105	Snap ring E-3	18	000061205	Nut 4-3-7
5	810629039	Zigzag cam block frame (unit)	19	000002507	Snap ring E-4
6	000070517	Plain washer 4	20	810626xxx	Pattern indicating plate frame (unit)
7	000103118	+ binding head small screw 4 x 14	21	810226009	Pattern indicating plate frame
8	000103303	+ binding head small screw 3.5 x 12	22	810227xxx	Decorative plate
9	810221004	Flame back plate	23	810229002	Mark
10	810351004	Releasing arm spring	24	802097004	Hexagon socket screw
11	810349009	Zigzag transfer pin	25	810232008	Zigzag lever
12	810350003	Zigzag transfer block	26	810627xxx	Needle position dial (unit)
13	810616xxx	Control device (unit)	27	810230006	Needle position selector dial
14	810222005	Zigzag spring	28	810231xxx	Needle position indicator plate

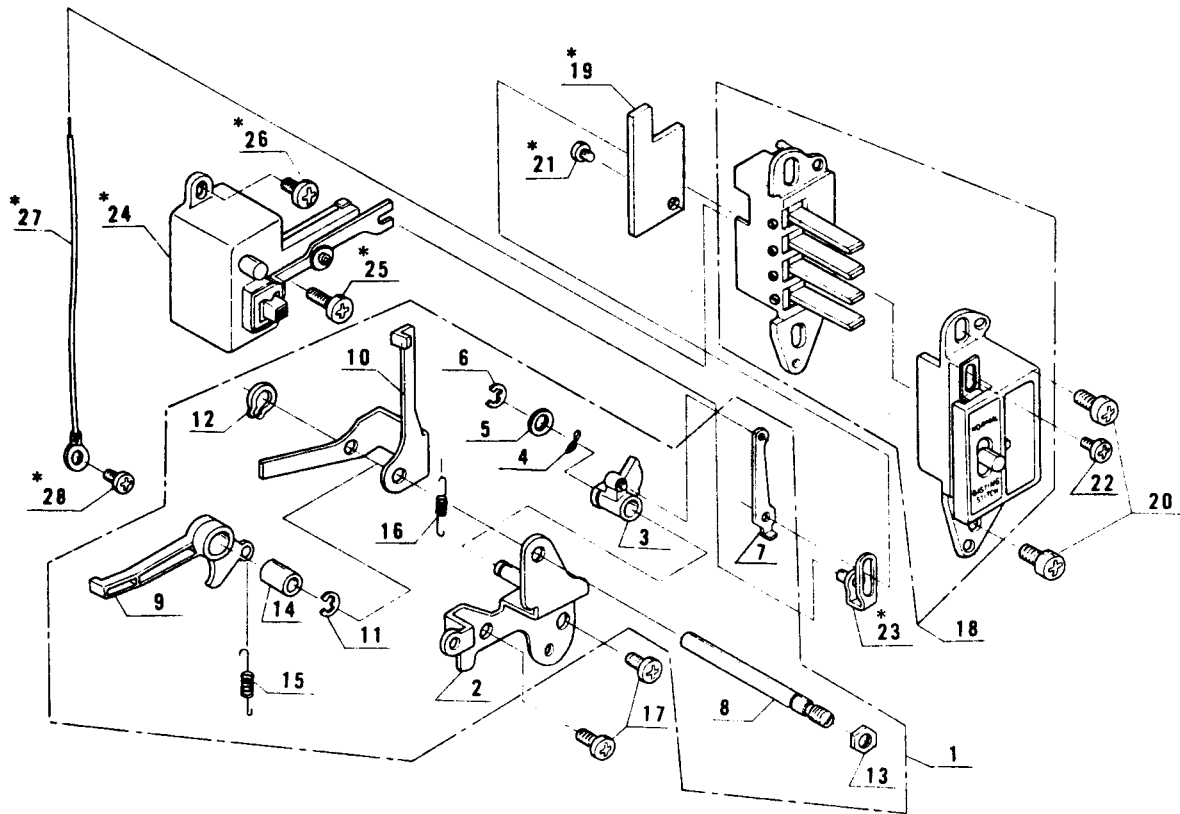


Ref. No.	Parts No.	Names of Parts	Ref. No.	Parts No.	Names of Parts
1	810368004	Set screw	23	000107101	+ pan head TAP TITE screw 3 x 5
2	810425000	Square washer	24	810352005	Selector clutch rod (1)
3	810367003	Selector gear spring	25	810353006	Selector clutch rod (2)
4	810372001	Pointer guide plate	26	810375004	Selector transmission gear
5	810370009	Pointer base plate	27	810366002	Selector clutch cam spring holder
6	000062804	Nut 2.5-3-5	28	810365001	Selector clutch cam spring
7	810373002	Hinge screw	29	810363009	Selector clutch cam
8	810371000	Pointer	30	810361007	Selector clutch ring
9	000103602	+ binding head small screw 3.5 x 5	31	810360006	Pattern selector shaft gear
10	810218008	Set screw	32	000014203	Snap ring CS-10
11	810041008	Bracket	33	810358001	Pattern selector dial pin
12	810042009	Sprocket	34	810446007	Cap
13	810369005	Pointer belt	35	810354007	Pattern selector dial
14	810043000	Sprocket plain washer	36	810355019	Pattern selector dial base
15	000002507	Snap ring E-4	37	810356009	Pattern selector dial spring
16	81022003	Set screw	38	810357000	Plain washer
17	810384006	Spool pin base plate	39	810364000	Selector clutch cam pin
18	810651007	Idler support plate (unit)	40	810362008	Selector clutch ring pin
19	810377006	Transmission timing gear flange	41	673209005	Hexagon socket screw
20	673209005	Hexagon socket screw	42	000001702	Snap ring E-6 (D)
21	810376005	Selector transmission timing gear	43	810359002	Selector dial shaft
22	810383005	Selector timing belt	44	810228001	Set screw
			45	810450004	Pointer stopper



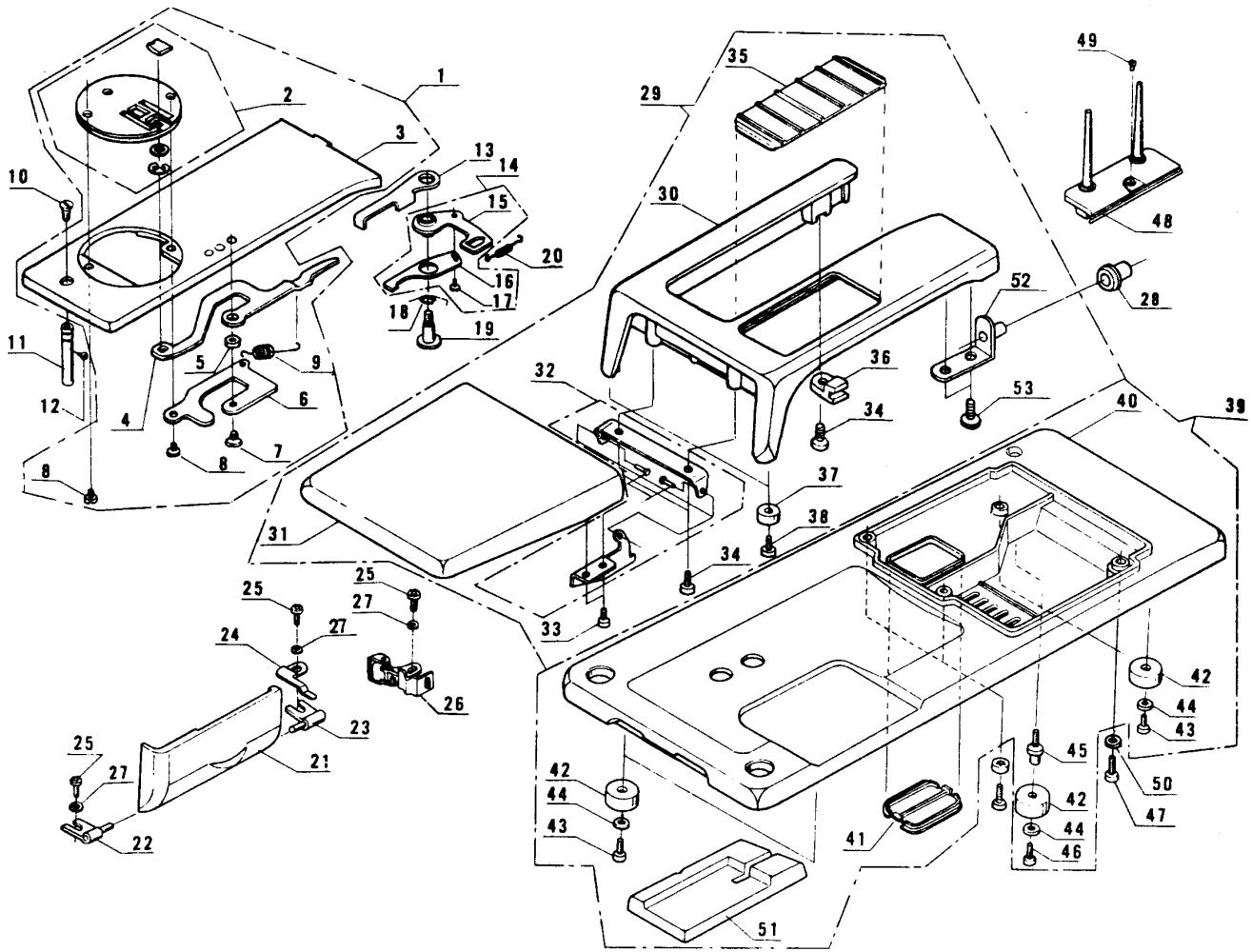
Ref. No.	Parts No.	Names of Parts	Ref. No.	Parts No.	Names of Parts
1	810653009	Pulley (unit)	12		Light bulb
2	810391006	Pulley supporter plate	13	810415007	Cord set plate
3	810392007	V-belt pulley	14	810220003	Set screw
4	802067005	Pulley cushion	15	810416008	Cord guide plate
5	810393008	Synchronized belt pulley	16	000077503	+ binding head small screw 4 x 6
6	572062008	Plain washer	17		Motor (unit)
7	000001609	Snap ring E-5	18	812038008	Cord guide plate
8	000103406	+ binding head small screw 4 x 8	19	000077503	+ binding head small screw 4 x 6
9	673189008	Synchronized belt	20	000100609	+ binding head small screw 5 x 10
10	000090007	V-belt 6U 365	21	812035108	Belt cover
11		Lamp socket (unit)	22	000103107	+ binding head small screw 4 x 14
			*23	801803008	switch knob

* Switch knob (801803008) has been used only for electrical equipment of nominal voltages 100V ~ 120V.



Ref. No.	Parts No.	Names of Parts	Ref. No.	Parts No.	Names of Parts
1	811604019	Stopper (unit)	16	810401000	Declutching arm spring
2	811007005	Stopper bracket	17	000103406	+ binding head small screw 4 x 8
3	811012014	Stopper select cam	18	815519007	Socket (unit)
4	811013004	Spring washer	*19	813011008	Insulating plate
5	672158005	Plain washer	20	000103509	+ binding head small screw 4 x 10
6	000001609	Snap ring E-5	*21	000075213	+ binding head T screw 3 x 10 -2V
7	811014005	Stopper select rod (1)	22	000067201	+ binding head small screw 3 x 6
8	811008006	Stopper shaft	*23	813009003	Switch working plate
9	811009007	Stopper	*24	813502001	Switch (unit)
10	810400009	Declutching arm	*25	000103118	+ binding head small screw 4 x 14
11	000001609	Snap ring E-5	*26	000103406	+ binding head small screw 4 x 8
12	000014605	Snap ring (Grip.6)	*27	812507003	Earth wire (unit)
13	000061618	Nut 6-3-10	*28	000077503	+ binding head small screw 4 x 6
14	811015006	Stopper bushing			
15	811010001	Stopper spring			

* These parts has been used only for electrical equipment of nominal voltages 220 ~ 240V.



Ref. No.	Parts No.	Names of Parts	Ref. No.	Parts No.	Names of Parts
1	812603011	Bed cover (unit)	26	812510009	Hook cover stopper (unit)
2	812501018	Needle plate (unit)	27	000070506	Plain washer 4
3	812005109	Bed cover	28	605049004	Extension table bushing
4	812008009	Needle plate driving lever	29	812608027	Extension table (unit)
5	812009000	Needle plate driving lever ring	30	812039102	Extension table
6	812010004	Needle plate driving lever supporter	31	812040014	Extension plate
7	000103602	+ binding head small screw 3.5 x 5	32	812506002	Extension plate hinge (unit)
8	812011005	Set screw	33	000076502	+ binding head T screw 3 x 8
9	812012006	Needle plate driving lever spring	34	000100609	+ Pan head small screw 5 x 10
10	605071005	Flat head screw	35	812043006	Extension table window
11	605011007	Driving lever pin	36	812044007	Extension table hug piece
12	000077617	+ pan head small screw 4 x 10	37	812045019	Extension table rubber shoe
13	812032002	Needle plate adjusting arm	38	000069605	+ pan head small screw 4 x 8
14	812610000	Needle plate driving arm (unit)	39	812609028	Base (unit)
15	812030000	Needle plate driving arm	40	812046102	Base
16	812033003	Needle hole adjusting arm	41	812047000	Base lid
17	810228001	Set screw	42	605074008	Rubber foot
18	812061000	Needle plate adjusting arm spring	43	605075009	F.T. small screw
19	812034004	Hinge screw	44	000071116	Plain washer 5
20	812031001	Needle plate driving arm spring	45	812056002	Adjust screw
21	812013100	Hook cover	46	000103406	+ binding head small screw 4 x 8
22	812014008	Hook cover hinge (L)	47	000068718	+ Pan head small screw 5 x 16
23	812015009	Hook cover hinge (R)	48	810385007	Spool pin base
24	812057003	Hook cover release spring	49	810218101	Set screw
25	000103901	+ binding head small screw 4 x 6	50	000006305	Teethed washer
			51	812062001	Rubber plate
			52	605051009	Extension table stopper pin.
			53	000103406	+ binding head small screw 4 x 8