

# MOST FREQUENTLY USED SPARE PARTS AND CHARTS





## Table of Contents

<b>Model Number</b>	<b>Page Number</b>
Foot Control Schematics	1-20
Motor Wiring Diagrams	21-22
Bernina Model 530	23
Bernina Model 707,717	23
Bernina Model 730	24
Bernina Model 740	25
Bernina Model 801	26-27
Bernina Model 801S/802S	28
Bernina Model 807	29
Bernina Model 811, 817	30
Bernina Model 830	31-33
Bernina Model 840/940, 850/950	34
Bernina Model 900	35
Bernina Model 910	36
Bernina Model 930	37-38
Bernina Models 1000/1001/1003/1005/1006/1008/1010/1011	39
Bernina Model 1030/1031/1020	40
Bernina Model 1080/1080QE	41
Bernina Model 1090	42
Bernina Model 1090S/1090QE	43
Bernina Model 1130/1120	44
Bernina Model 1130LE	45
Bernina Model 1130S	46
Bernina Model 1230	47
Bernina Model 1260	48
Bernina Model 1530	49
Bernina Model 1630	50
Bernina activa 125/135/135S/145/145S	51
Bernina activa/virtuosa 130/140	52
Bernina virtuosa 150/160/163	53-54
Bernina virtuosa 153/153 Alex Anderson	55
Bernina virtuosa 155	56
Bernina artista 165/170	57-58
Bernina artista 180/185	59-60
Bernina artista 200	61-62
Bernina activa 210/220	63
Bernina activa 230PE/240	64
Bernina aurora 435	65
Bernina aurora 430/440	66
Bernina artista 630/640	67
Bernina artista 730	68-69
Bernina artista Embroidery Module 165-170, 185-200, 430/440, 630/640	70
bernette Model 50-75, 55	71
bernette Model 65/80e/90e, 56	72
bernette Model 66/82e	73
bernette Model 92C & bernette Models 100/200, 300/400, 705/715/720/730, 740ES	74

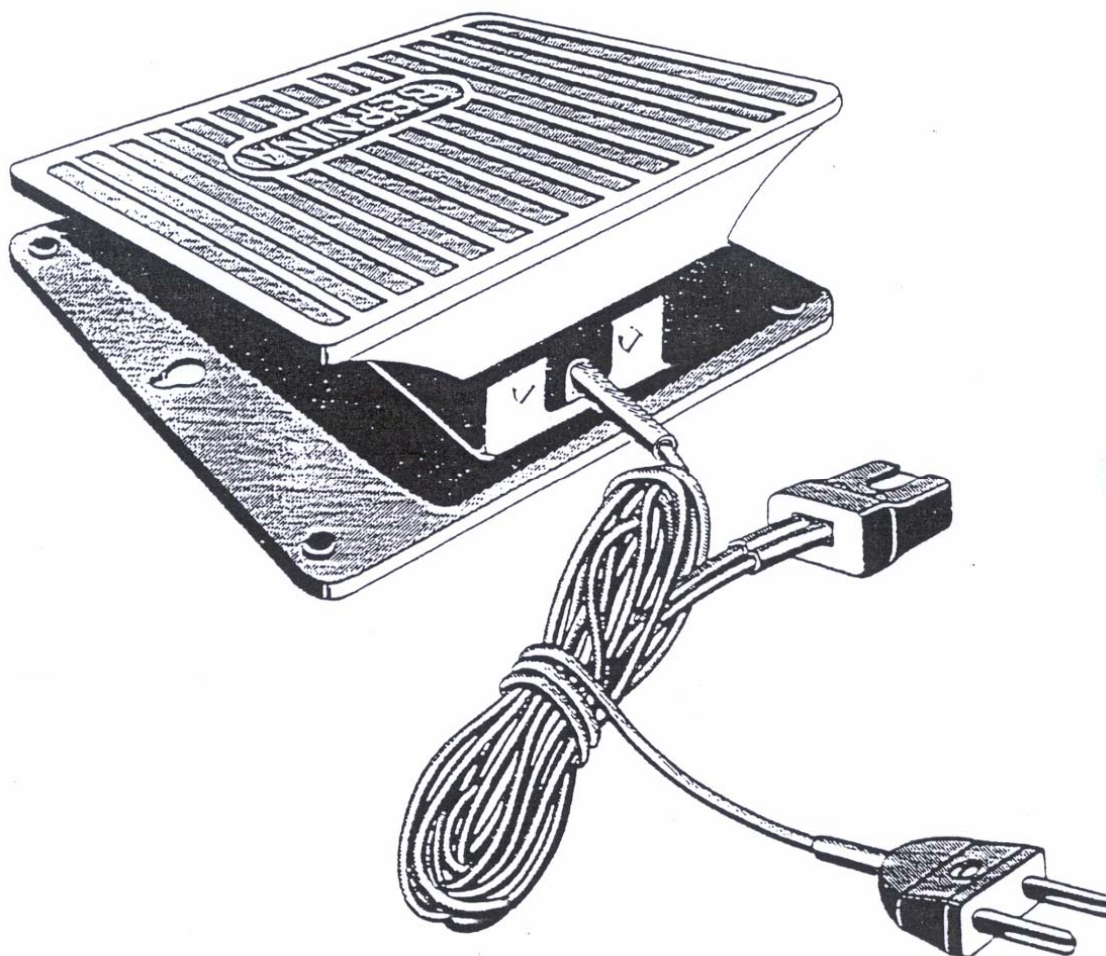
## Table of Contents

<b>Model Number</b>	<b>Page Number</b>
Bernina Model 1100D/1100DA/1150MDA	75
Bernina Model 1200DA	76
Bernina Model 1300DC/1300MDC	77
Bernina Model 2000D, 2000DE	78
Bernina Model 2000DCE	79
Bernina Model 2500DCE, 2500DCET	80
bernette Model 003/004/004D/006D/007D/008D, 009DC/009DCC	81
bernette Model 43/43D, 134/134D,203/204/234	82
bernette Model 335/335S/334/334D/334DS, 700D/800D/800DL	83
Bernina Deco 330	84
bernette Deco 340	85
bernette Deco 500, DECO 501 SCAN PARTS	86
bernette Deco 600	87
Bernina Deco 650	88
Arrangement Chart of Electrical/Electronic Parts 130-180	89
Arrangement Chart of Electrical/Electronic Parts 153-730	90
Arrangement Chart of Electrical/Electronic Parts 1080-1630	91
Arrangement Chart of Electrical/Electronic Parts 1000-1031	92

<b>Charts and Miscellaneous</b>	
Thermal Switch Installation and Information	4
Repair Charges 1630 & Older	93
L & R Print Compatibility	94-95
Repair Charges Classic Line	96
Table of Main/S-Prints for Models 125-730	97
Embroidery Board Identification Sheet	98
Machines that can/cannot be used with a Transformer	99
Overlock Knife/Looper/Stitch Plate Pins	100
Bobbin & Fuse Charts	101
Needle Plates	102
Light Bulb Chart	103-104
Walking Foot Exploded Parts List	105
Bobbin Monitor Check List	106
Needle Threader Installation	107-109
Electronic Diagnosis Report	110
Technical Service Request Form	111

This material was written and revised by Tom Hemesath and Shasta Burke, with the technical assistance of Senior Bench Technician Sergio Brito.

**FOOT CONTROL MODEL 730**



**FOOT CONTROL MODEL 730**

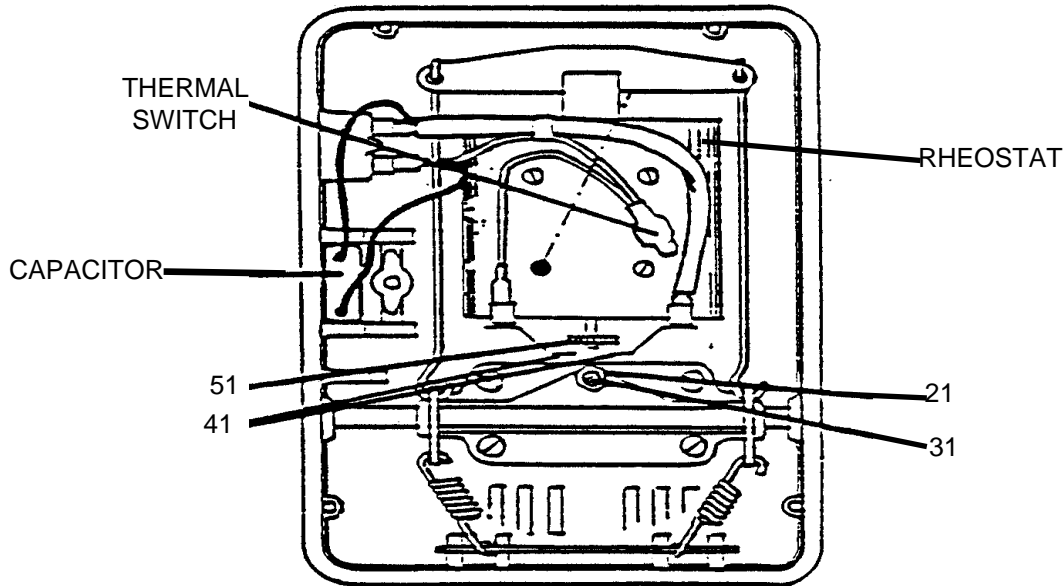
NO LONGER AVAILABLE

## FOOT CONTROL TYPE 213

NOTE: THE THERMAL SWITCH #381053.04.2+ MUST BE INSTALLED ON EVERY TYPE 213

### DISASSEMBLY

1. REMOVE THE BASE PLATE BY REMOVING FOUR PHILLIPS SCREWS.



### ADJUSTMENT

1. PUSH FOOT CONTROL DOWN SLOWLY. MACHINE SHOULD START TO RUN AFTER 5/8" MOVEMENT. INCREASE THE SPEED, AND 1/4" BEFORE THE FINAL STOP THE MACHINE SHOULD RUN ON FAST SPEED.
2. TO ADJUST THE 5/8", LOOSEN THE NUT 21 AND DO THE ADJUSTMENT BY TURNING THE SCREW 31 IN OR OUT.
3. TO ADJUST THE 1/4", FORM THE 2 CONTACT SPRINGS 41. MAKE SURE KNURLED HEAD SCREW 51 TOUCHES THE 2 CONTACT SPRINGS 41 AT THE SAME TIME.

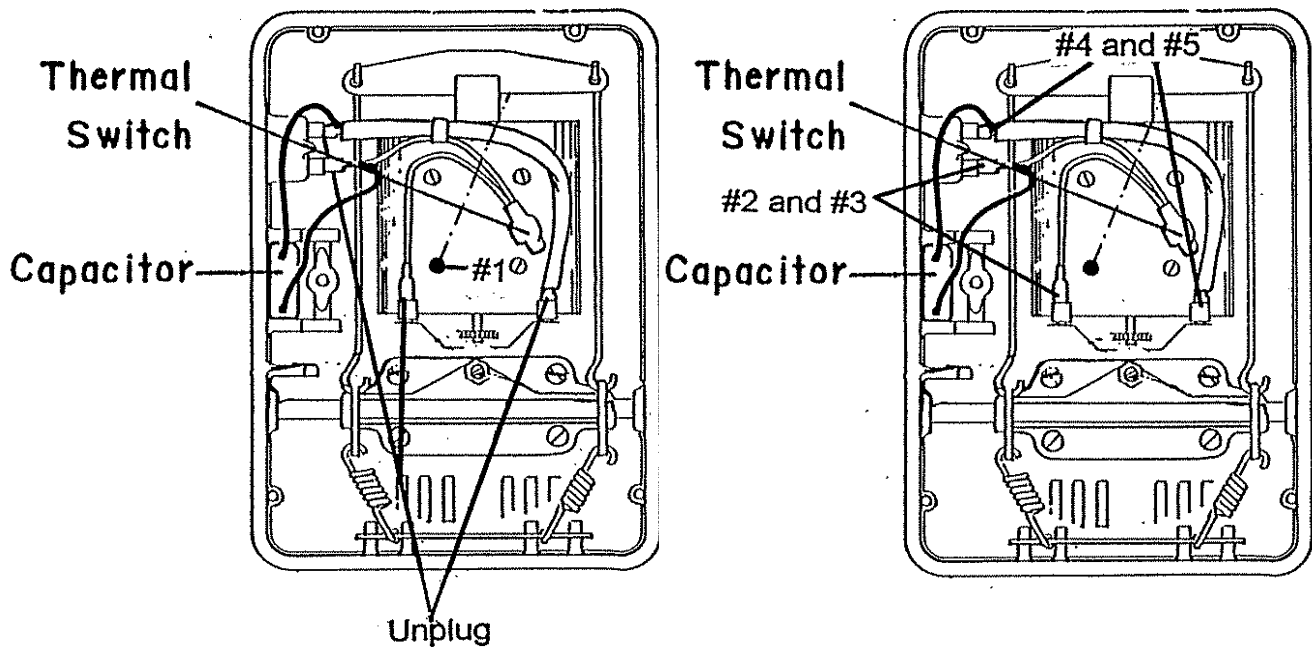
### OVERHEATING OF CONTROLLER

1. CHECK MOTOR BRUSHES
2. CLEAN ARMATURE
3. REPLACE RHEOSTAT
4. MOUNT COOLING PLATE OVER CARBON PILE (#325272.03.0+)
5. USE "MIN" SPEED WHEN SEWING SLOWLY

## INSTRUCTIONS FOR INSTALLING THE THERMAL SWITCH TYPE 213 FOOT CONTROL

UNPLUG THE MACHINE

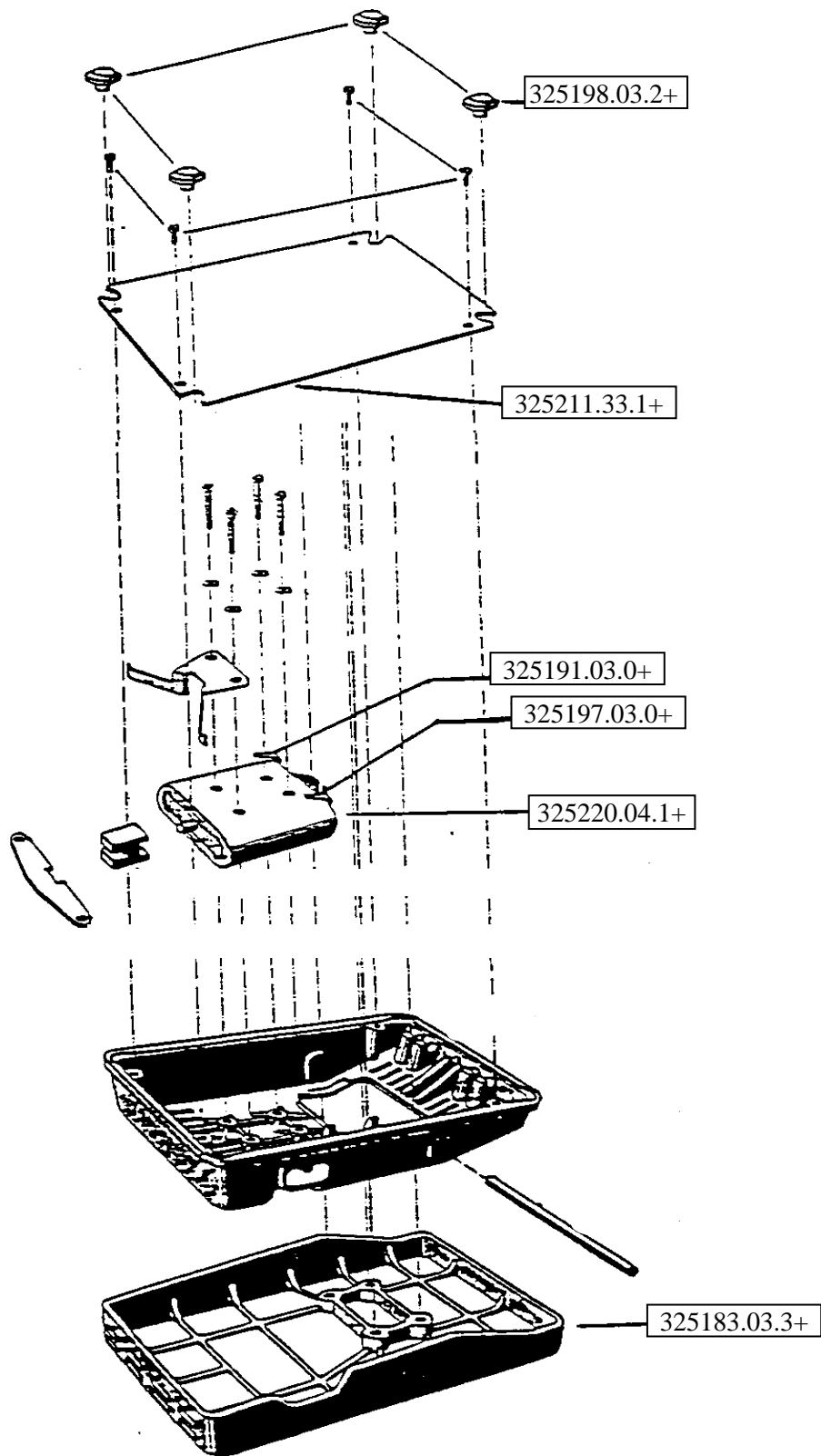
1. LOOSEN THE SIX SCREWS ON THE BOTTOM AND REMOVE THE BOTTOM PLATE
2. UNPLUG THE FOUR PLUGS IN THE CORD
3. LOOSEN SCREW #1 AND TAKE IT OUT
4. TAKE THE CORD WITH THE THERMAL SWITCH AND PLUG IT INTO #2 AND #3
5. TAKE THE OTHER CORD AND PLUG IT ON #4 AND #5
6. CLAMP THE THERMAL SWITCH WITH THE CLAMP AND THEN TIGHTEN SCREW #1
7. PUT BOTTOM PLATE BACK ON AND TIGHTEN THE SIX SCREWS



PART NUMBER TO ORDER THE THERMAL SWITCH IS **381053.04.2+** IT IS PROVIDED AT NO CHARGE TO THE DEALER

NOTE: REMOVE CAPACITOR WITH THE TWO LEADS WHEN SERVICING MACHINE, THIS PART IS NOT NEEDED IN THE USA.

**FOOT CONTROL TYPE 213**

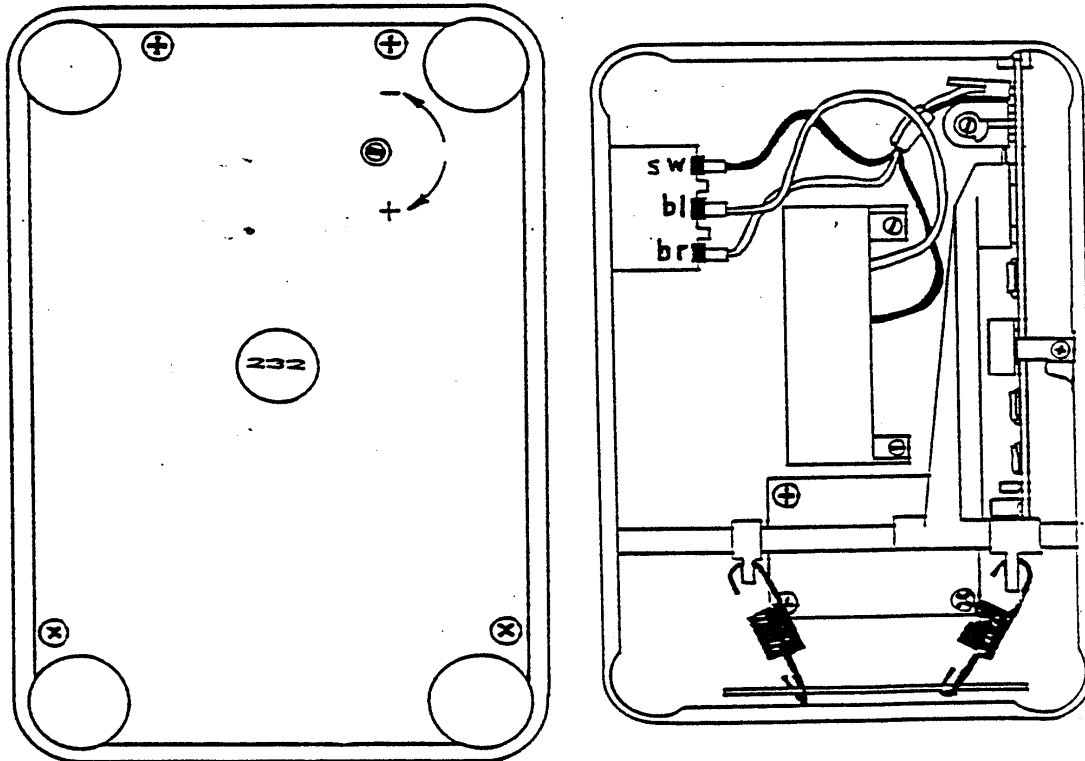




## FOOT CONTROL TYPE 232

### DISASSEMBLY

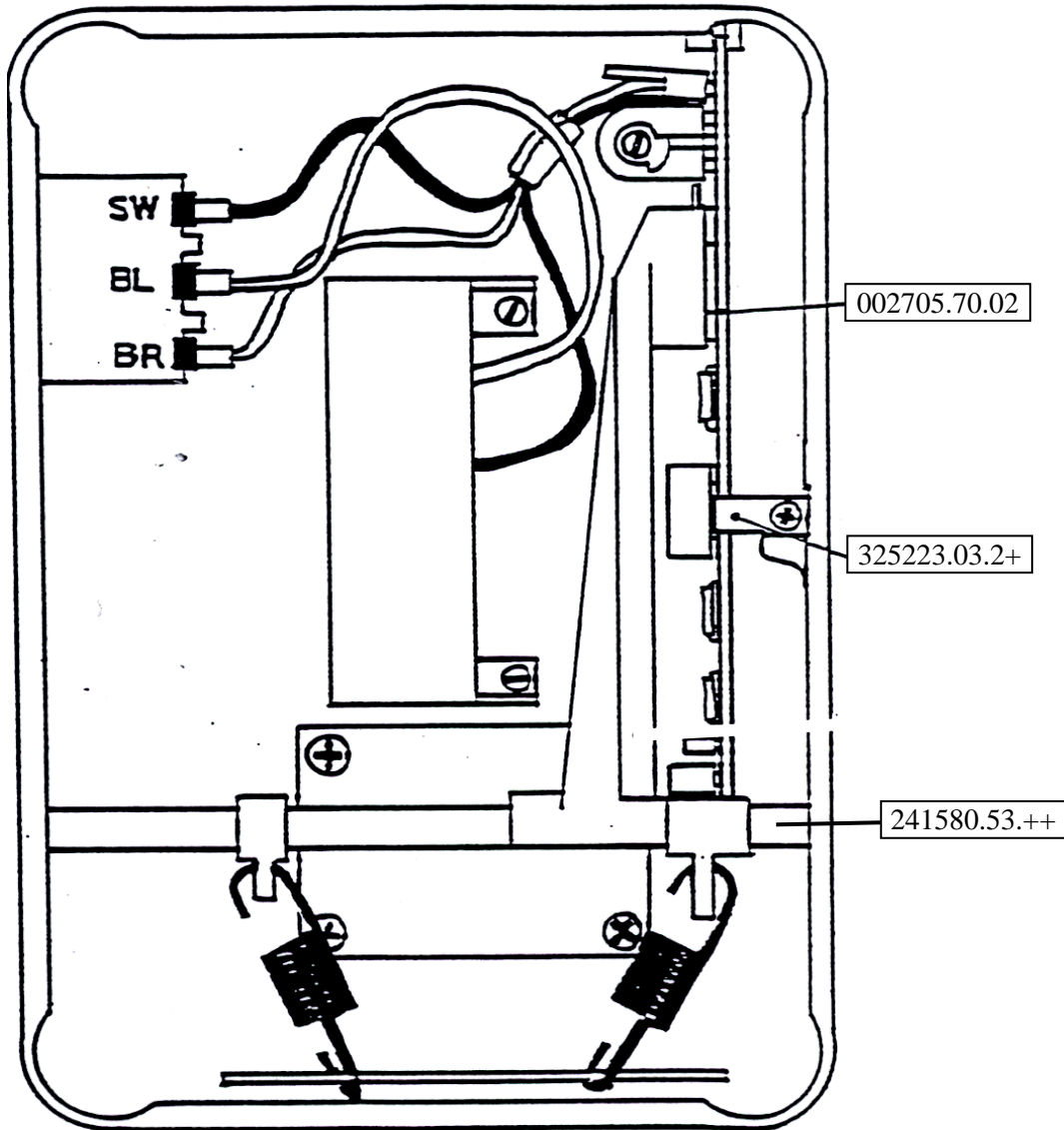
1. REMOVE THE BASE PLATE BY REMOVING FOUR SCREWS
2. UNHOOK THE THREE WIRES FROM CONNECTOR
3. REMOVE TWO SCREWS ON RADIO INTERFACE FILTER
4. REMOVE CLAMP AND CAREFULLY REMOVE BOARD



SW: BLACK  
BL: BLUE  
BR: BROWN

AFTER ASSEMBLY OF THE CONTROLLER, CHECK AND ADJUST START SPEED BY ROTATING THE POTENTIOMETER SPEED BY ROTATING THE POTENTIOMETER ON THE BOTTOM OF THE FOOT CONTROL TO MINUS OR PLUS.

**FOOT CONTROL TYPE 232**

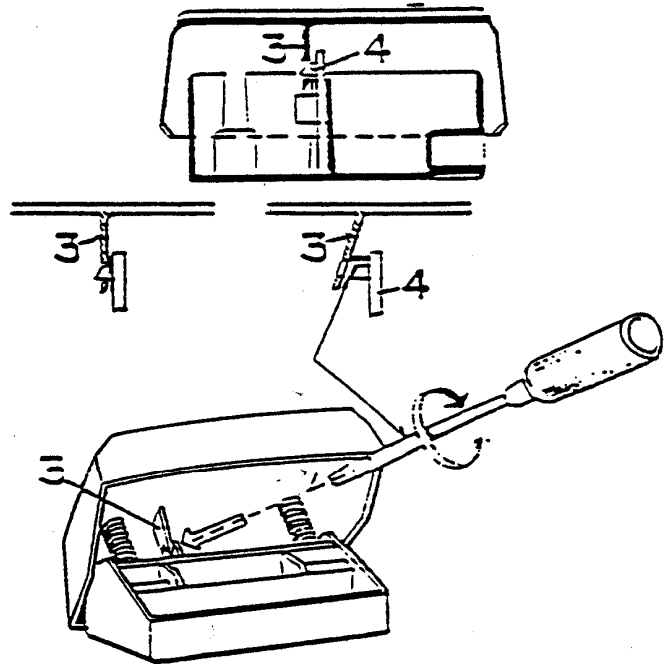


## **FOOT CONTROL TYPE 290**

### **DISSASSEMBLY FOOT CONTROL**

REMOVE FOUR SCREWS ON THE BOTTOM OF THE FOOT CONTROL TOGETHER WITH THE TWO BRIDGES

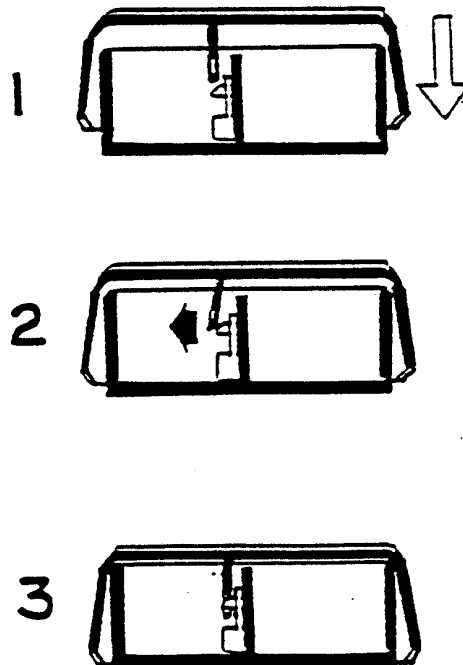
USE SCREWDRIVER SIZE 5MM AND SPLIT 3 AND 4 APART. WHILE HOLDING THIS POSITION, REMOVE TOP COVER.



### **ASSEMBLY FOOT CONTROL**

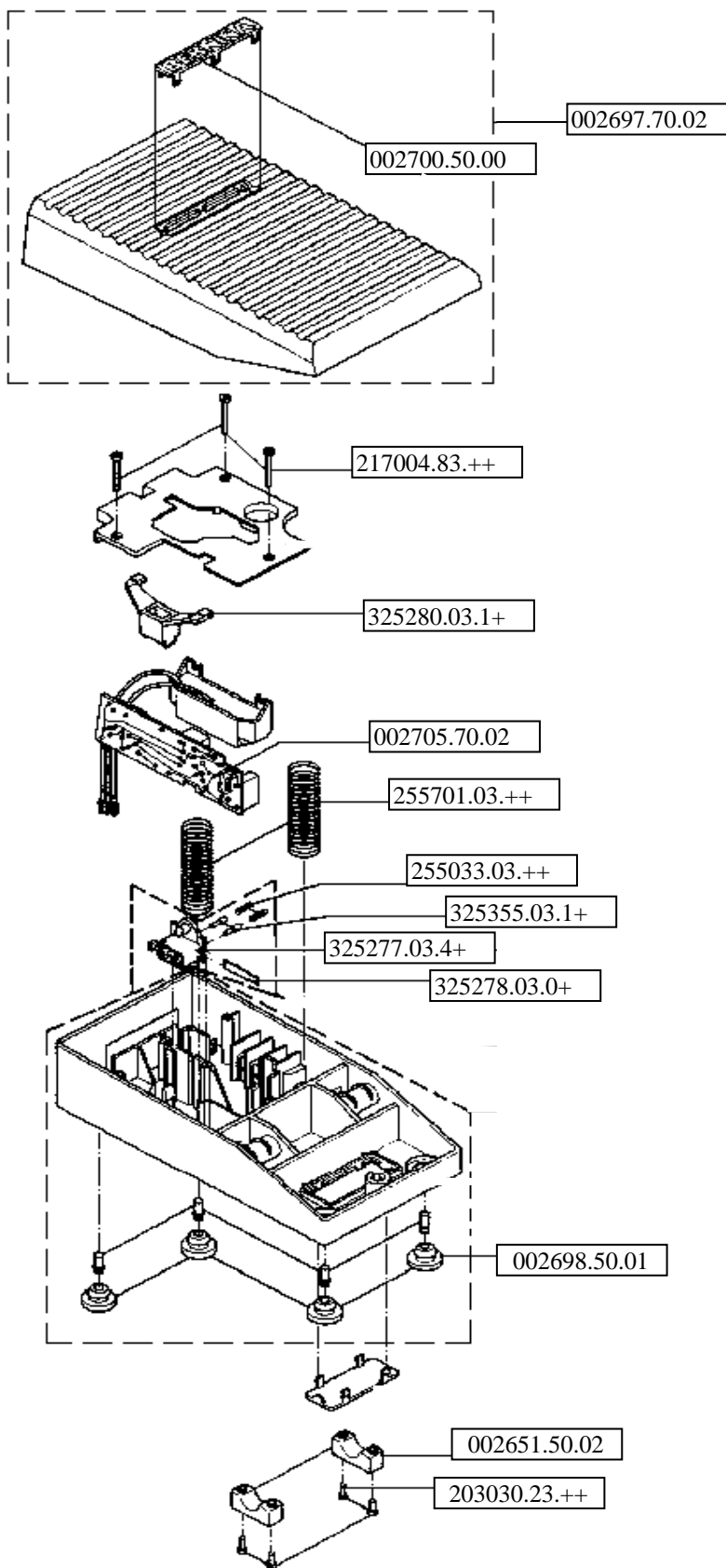
HOLD TOP AND BOTTOM OF FOOT CONTROL TOGETHER WHILE INSTALLING THE TWO BRIDGES AND THE FOUR SCREWS.

NOW PRESS THE FOOT CONTROL TOGETHER UNTIL TWO CLICKS CAN BE HEARD. THIS WILL CONNECT THE TOP AND BOTTOM OF THE FOOT CONTROL.



**FOOT CONTROL TYPE 290**

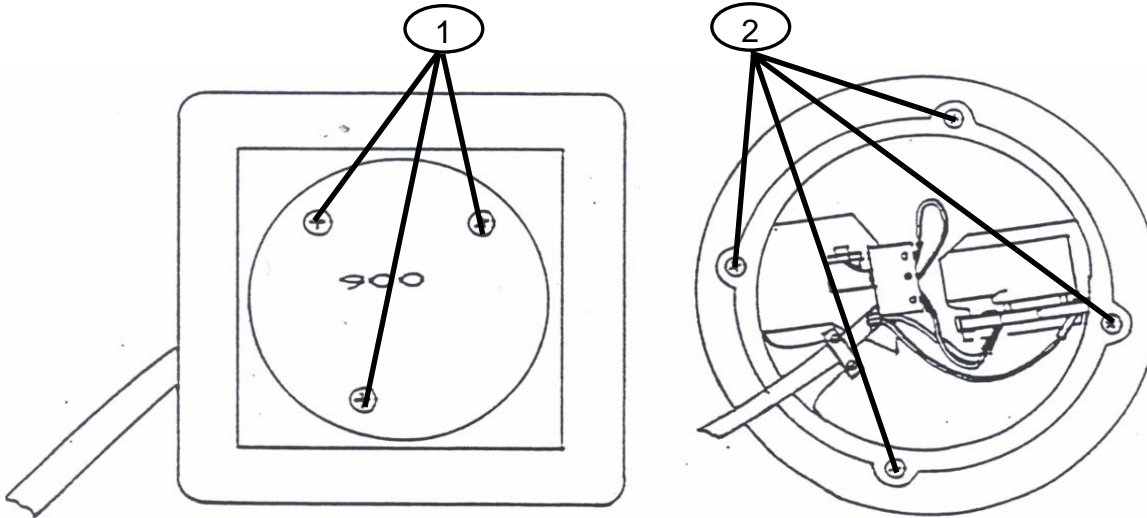
FOOT CONTROL COMPLETE  
NO LONGER AVAILABLE  
SUBSTITUTE **004930.72.01**



## FOOT CONTROL TYPE 900

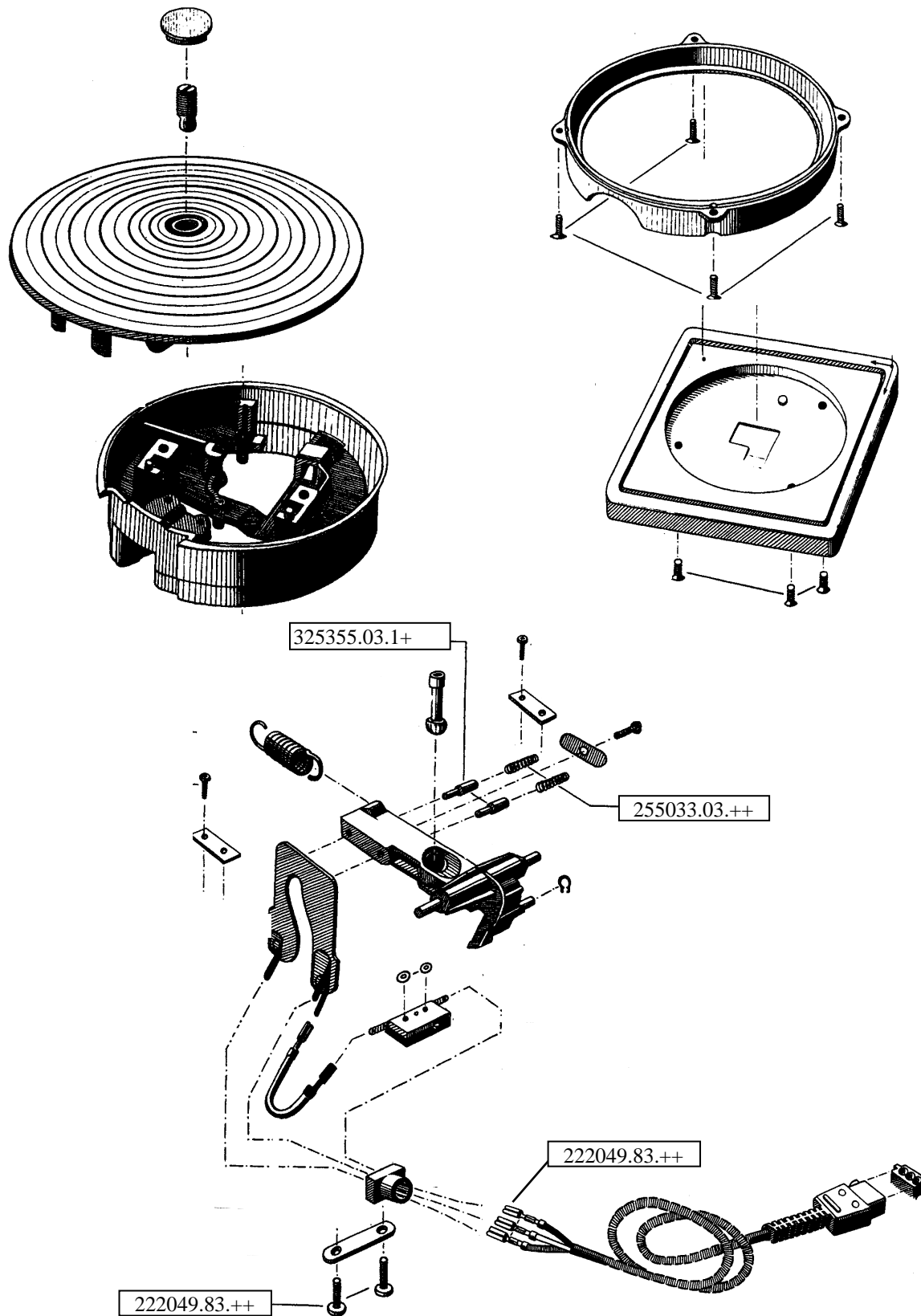
### DISASSEMBLY

1. REMOVE FOOT CONTROL BASE BY REMOVING SCREWS #1
2. IF THE CARBON PINS NEED TO BE REMOVED, ALSO LOOSEN FOUR SCREWS # 2 AND REMOVE THE TOP COVER.



AFTER ASSEMBLY, CHECK AND ADJUST THE START SPEED UNDERNEATH THE BASE PLATE OF THE MACHINE.

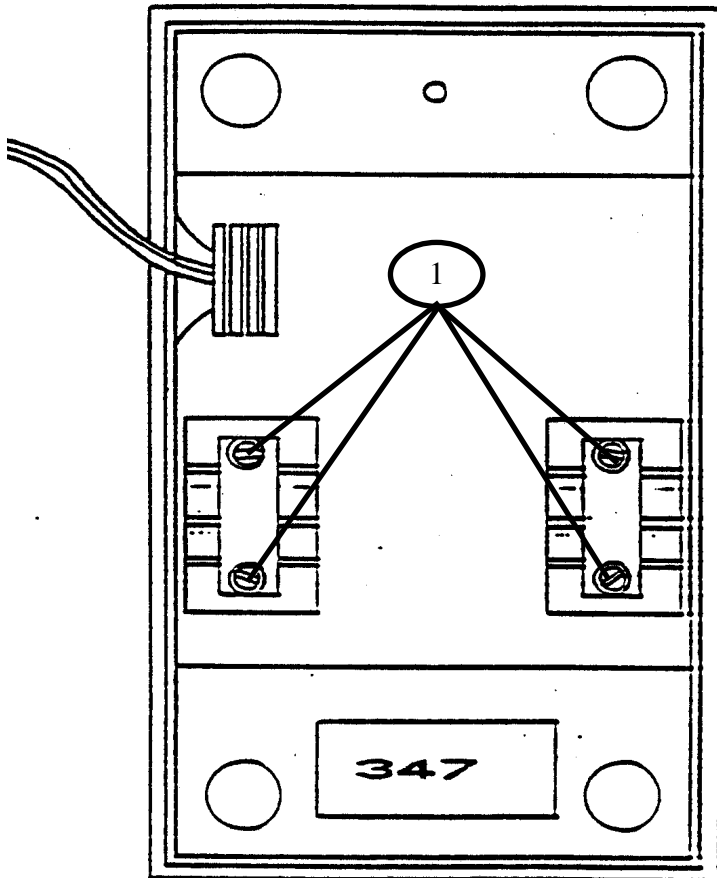
**NOVA 900 FOOT CONTROL TYPE 043**



## FOOT CONTROL TYPE 347

### DISASSEMBLY

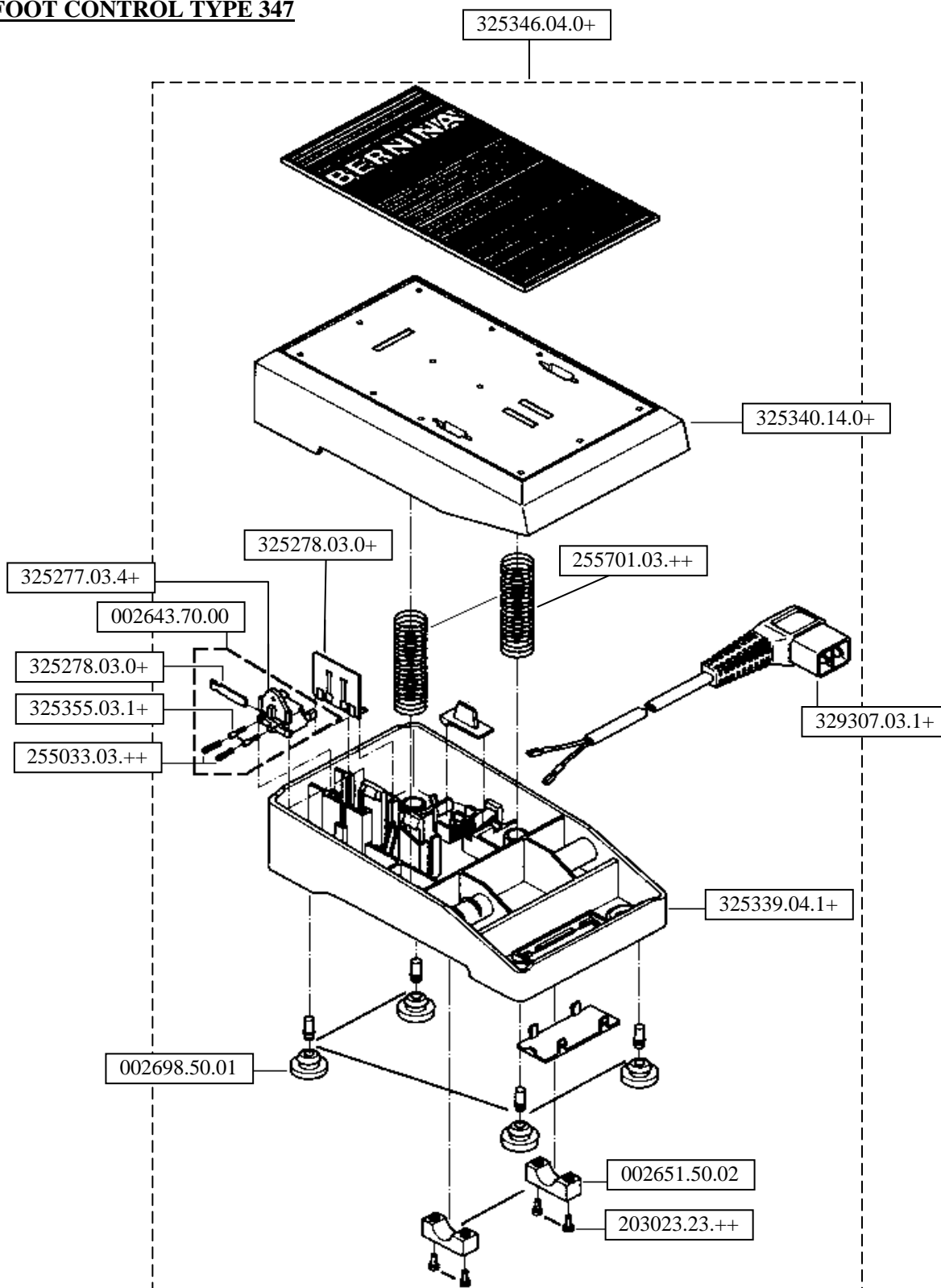
1. REMOVE THE TWO CLAMPING PIECES BY REMOVING SCREWS # 1.
2. PULL THE TOP COVER AND BOTTOM COVER APART.



### ASSEMBLY

1. MOUNT THE TWO CLAMPING PIECES AND FASTEN FOUR SCREWS.
2. SQUEEZE FOOT CONTROL TOGETHER UNTIL A SHARP CLICK CAN BE HEARD. THIS CONNECTS THE TOP COVER WITH THE SLIDE PIECE.

**FOOT CONTROL TYPE 347**

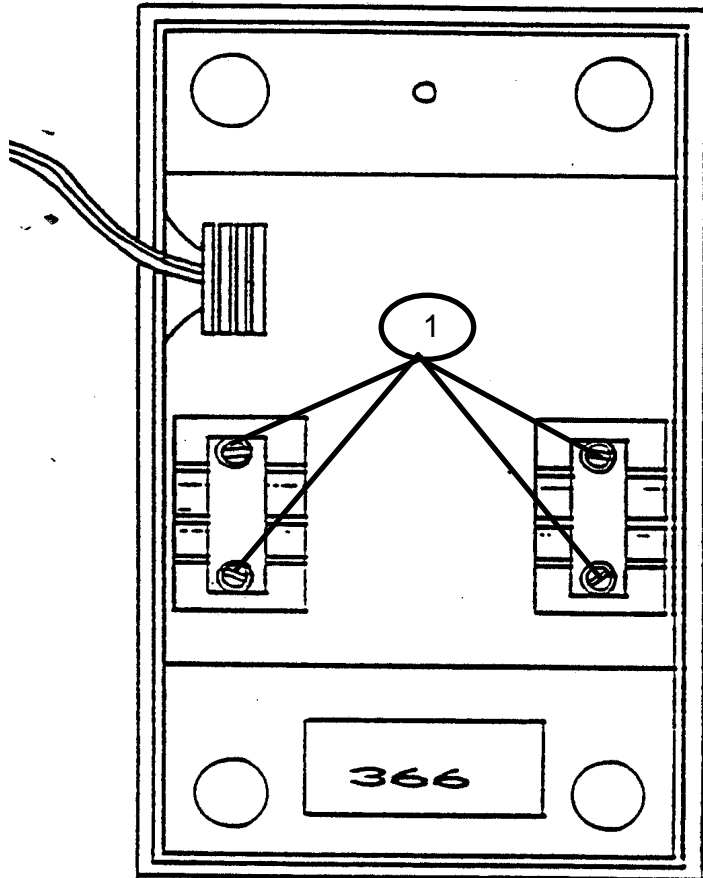




## FOOT CONTROL TYPE 366

### DISASSEMBLY

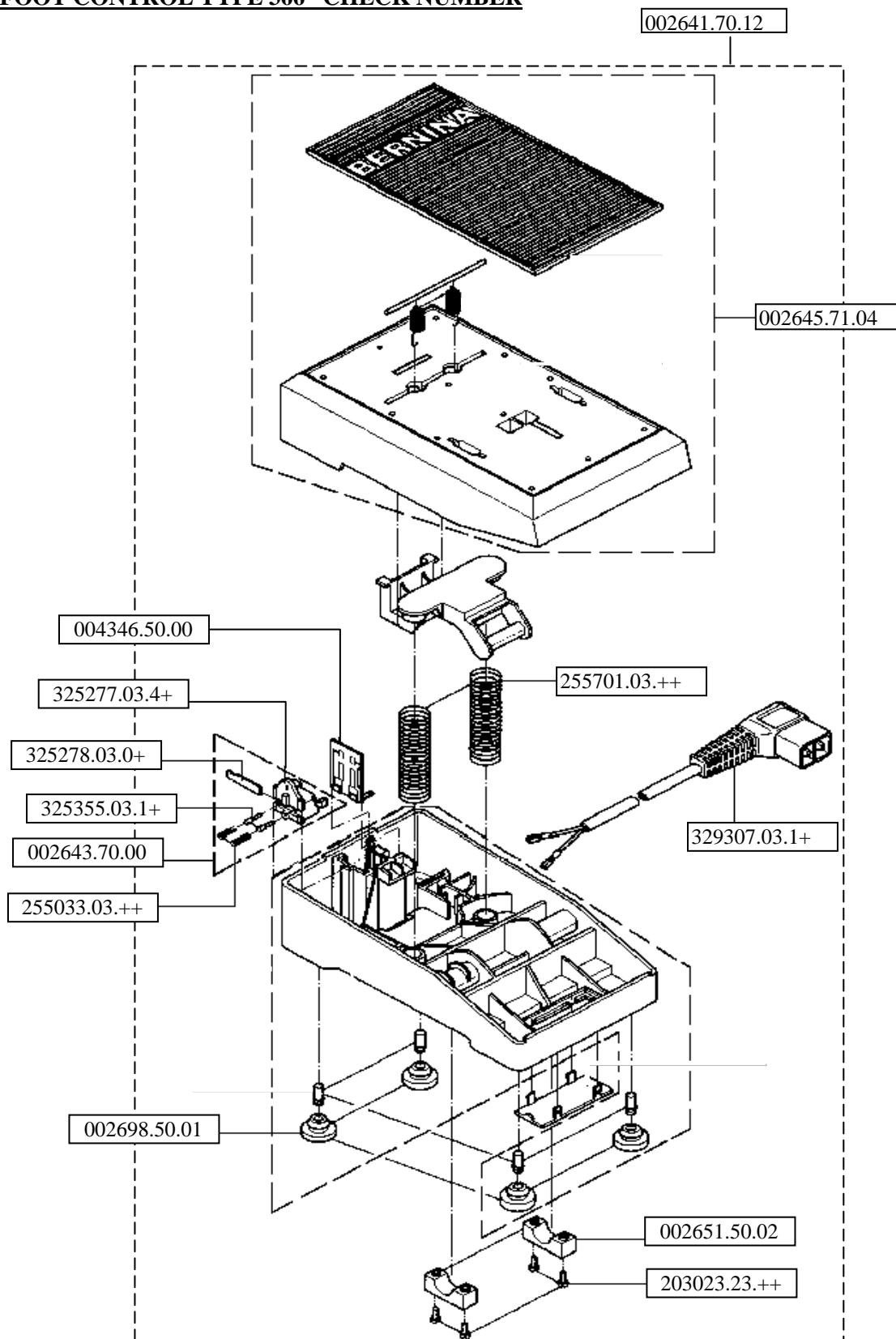
1. REMOVE THE TWO CLAMPING PIECES BY REMOVING SCREWS # 1.
2. PULL TOP COVER AND BOTTOM COVER APART.



### ASSEMBLY

1. MOUNT THE TWO CLAMPING PIECES AND FASTEN FOUR SCREWS.
2. SQUEEZE FOOT CONTROL TOGETHER AND INSERT A SCREWDRIVER INTO THE SMALL HOLE AND PUSH UP UNTIL A SHARP CLICK CAN BE HEARD. THIS WILL CONNECT THE TOP COVER WITH THE SLIDE PIECE.

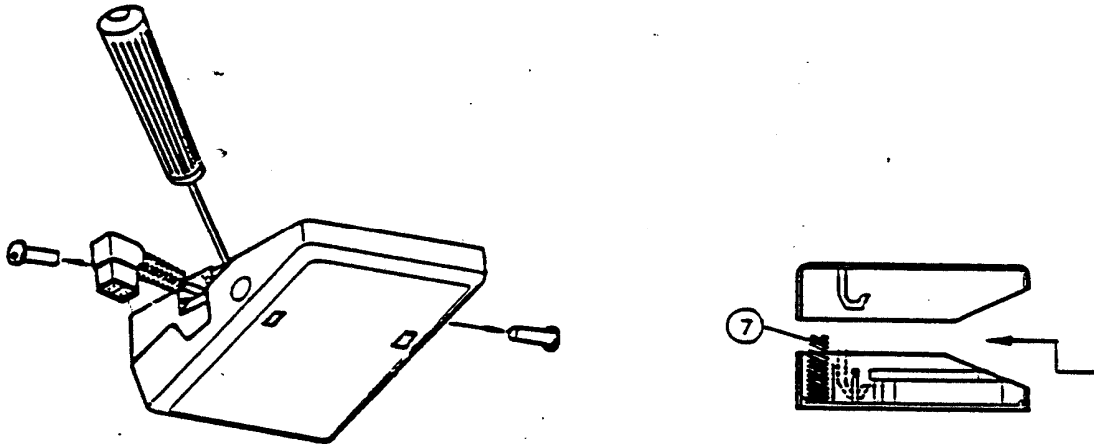
**FOOT CONTROL TYPE 366 CHECK NUMBER**



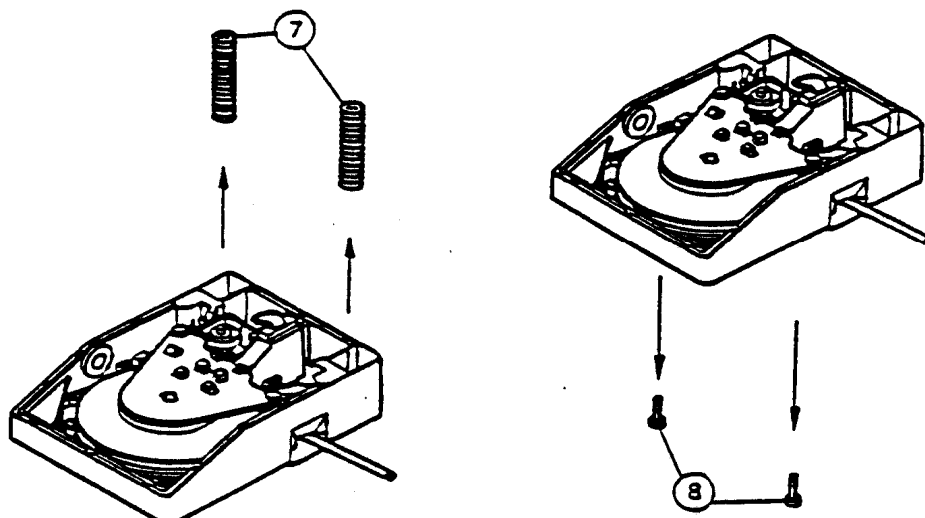
## FOOT CONTROL TYPE 01

### DISASSEMBLY

1. REMOVE HINGE PINS # 1 BY INSERTING A SCREWDRIVER BETWEEN THE SIDE OF THE TOP AND BOTTOM COVER.
2. PRESS THE TOP AND BASEPLATE TOGETHER, SLIDE THE TOP IN DIRECTION OF ARROW AND DISCONNECT THE TOP FROM BOTTOM.



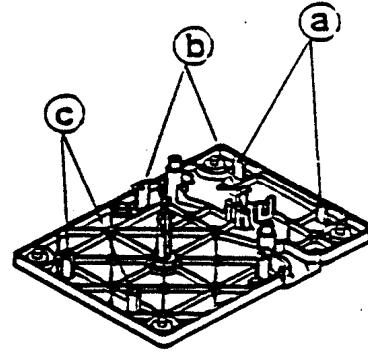
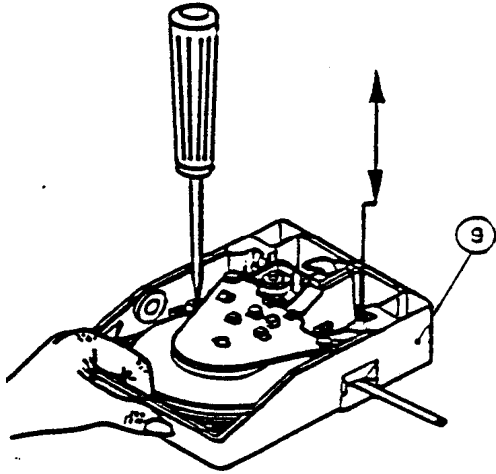
3. REMOVE COMPRESSION SPRINGS #7 AND FASTENING SCREWS #8.



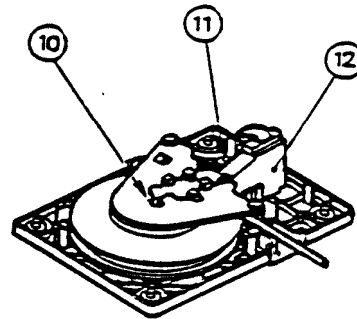
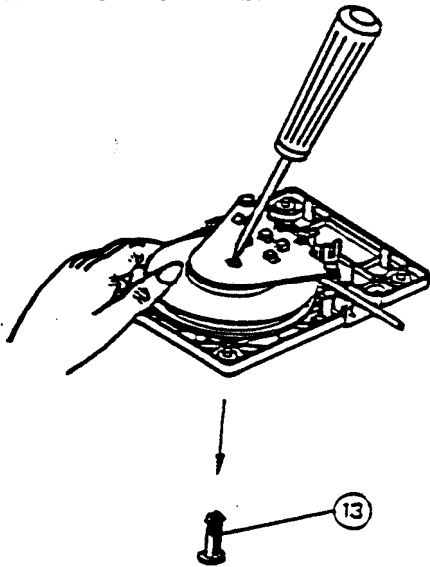
CONTINUED ON NEXT PAGE

**FOOT CONTROL TYPE 01 (CONTINUED)**

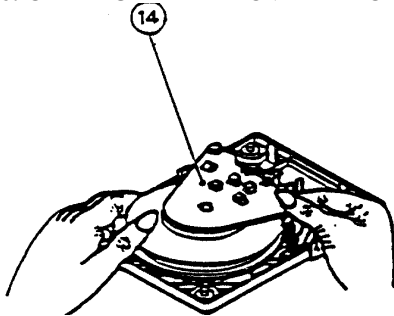
4. PRY THE TOP #9 AND THE BOTTOM APART AND RELEASE THE SNAP FASTENER (A-C) TO REMOVE THE HOUSING.



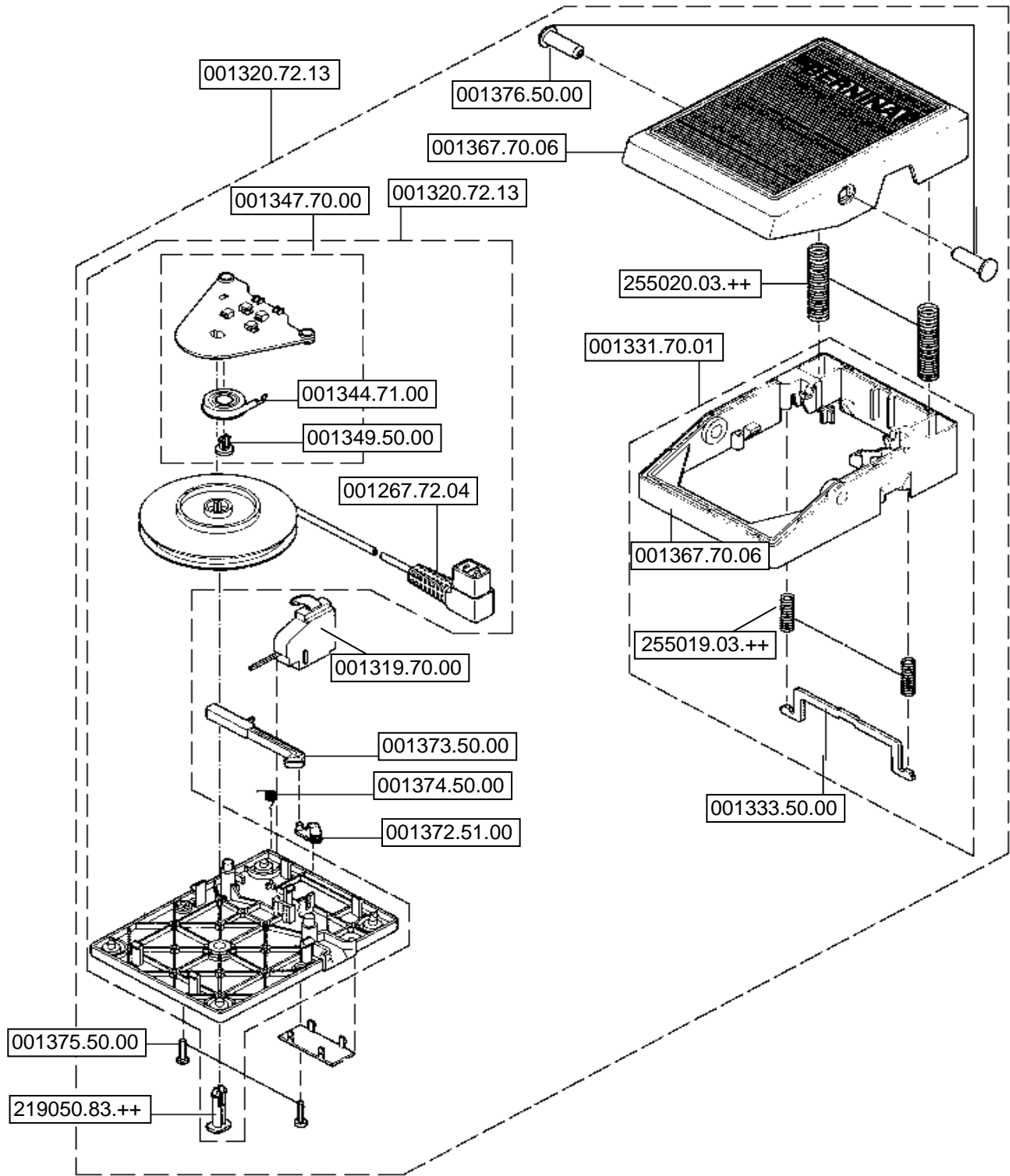
5. RELEASE THE SNAP FASTENER (#10, 11, 13), RESISTOR HOUSING (#12) WITH BOTH CABLES.



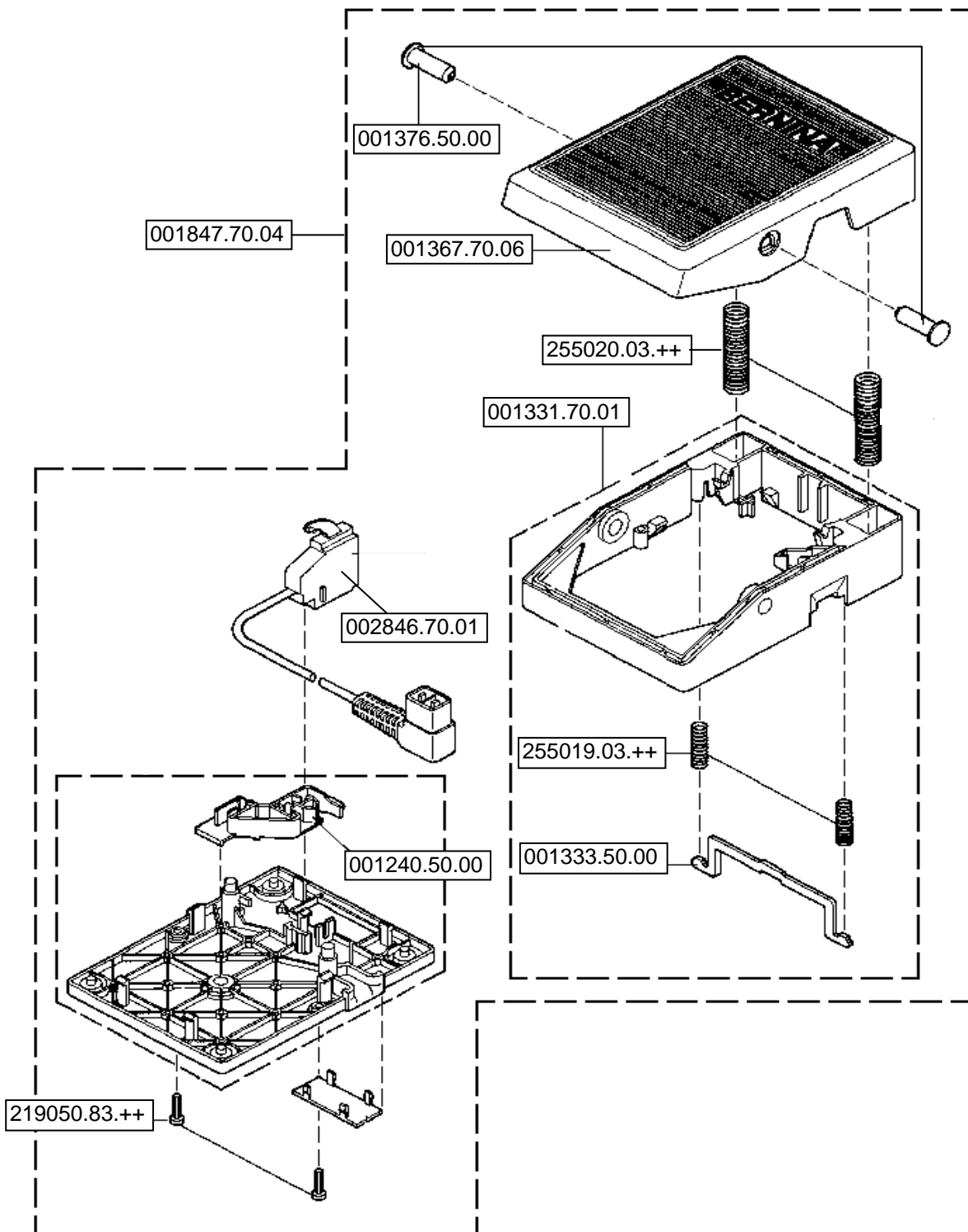
6. CAREFULLY REMOVE THE CABLE REEL #14.



**FOOT CONTROL TYPE 01**



**FOOT CONTROL MODEL 1030/1020 TYPE 11**



DISASSEMBLY SEE INSTRUCTIONS FOR MODEL 1130

**FOOT CONTROL bernette 720/705**

502020.51.22

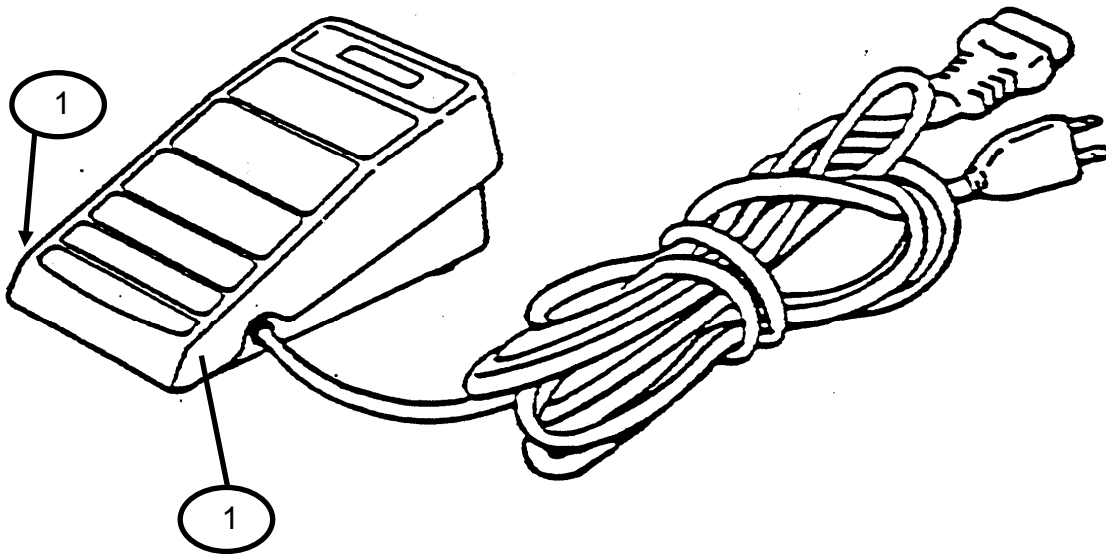
**FOOT CONTROL- bernette FUNLOCK TYPE 4C-315B**

**DISASSEMBLY**

BY TURNING A SELF-TAPPING SCREW INTO THE TWO WHITE PLASTIC PINS #1 LOCATED ON HEEL OF CONTROL, THE PINS CAN BE REMOVED AND THE TOP COVER REMOVED

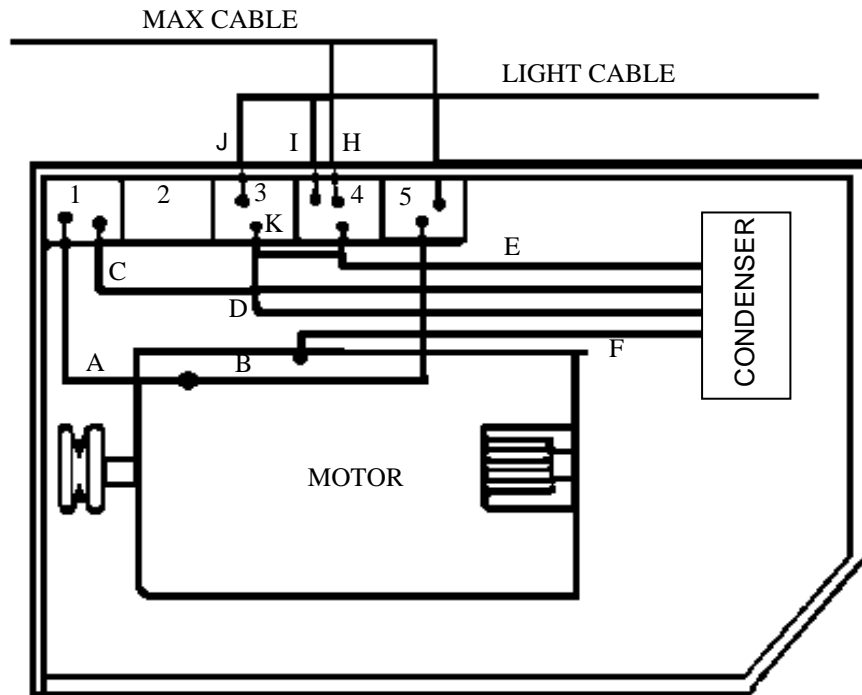
**FOOT CONTROL bernette FUNLOCK**

ONLY AVAILABLE AS ONE COMPLETE UNIT.  
PART #502010.52.42



**MOTOR WIRING DIAGRAMS**

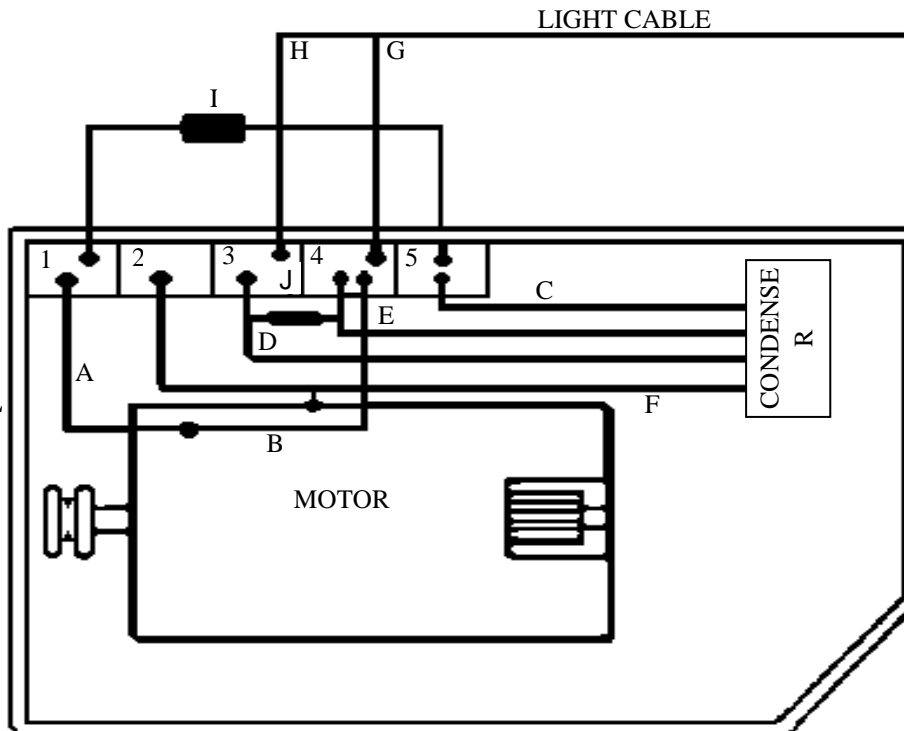
**FOOT CONTROL  
TYPE 213**



**CABLE**

- A. MOTOR
- B. MOTOR
- C. WHITE
- D. BLACK
- E. GREY OR BROWN
- F. GROUND / SILVER
- G. BLUE
- H. BLACK
- I. BLACK
- J. BLUE
- K. DISCHARGE RESISTOR

**FOOT CONTROL  
TYPE 232**

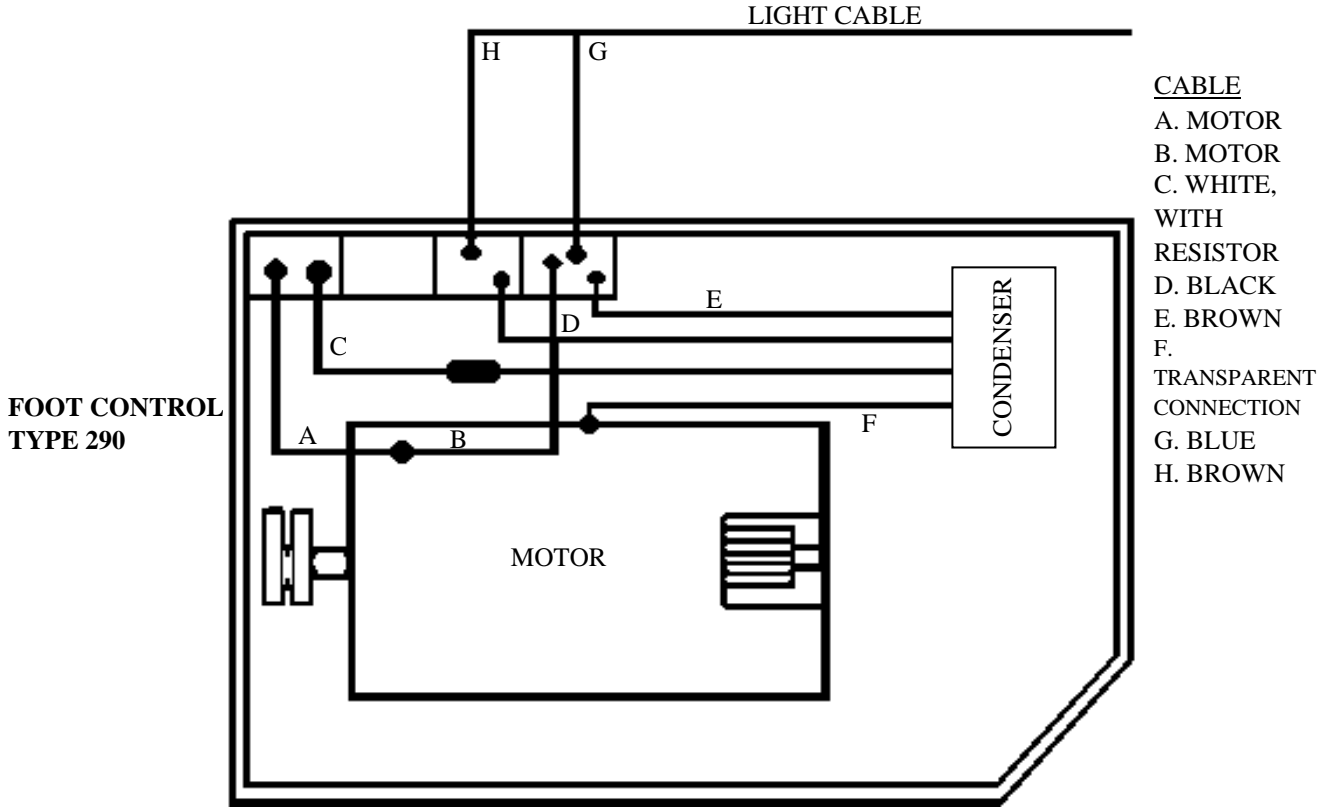


**CABLE**

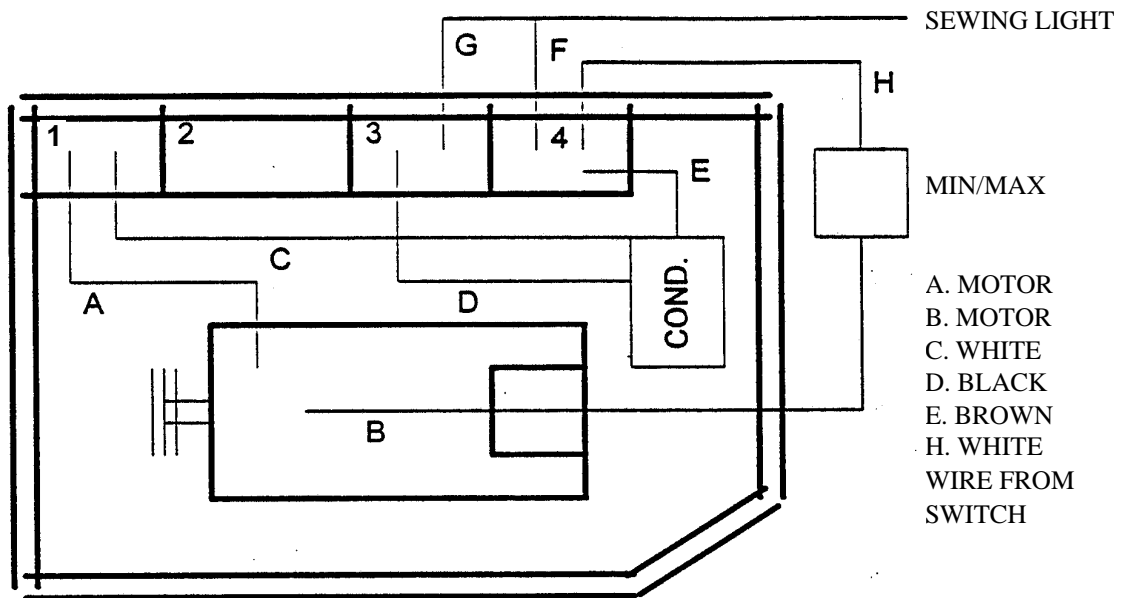
- A. MOTOR
- B. MOTOR
- C. WHITE
- D. BLACK
- E. BROWN
- F. GREEN / YELLOW
- G. BLUE
- H. BROWN
- I. RESISTOR
- J. DISCHARGE RESISTOR



**MOTOR WIRING DIAGRAMS**



**707 MOTOR WIRING DIAGRAM**



## BERNINA MODEL 530

**LIMITED PARTS - PLEASE CONTACT CUSTOMER SERVICE FOR SPECIFIC PART AVAILABILITY**

## BERNINA MODEL 707

**MOTOR TYPE B-707 W/FOOT CONTROL TYPE 213**  
**TWO ROUND PRONGS IN FOOT CONTROL**

MOTOR COMPL. W/HOUSING 110V	NO LONGER AVAILABLE
MOTOR COMPL. W/HOUSING 220V	NO LONGER AVAILABLE
MOTOR ONLY 110V	323884.04.0+
MOTOR ONLY 220V	NO LONGER AVAILABLE
MOTOR BRUSHES	324250.08.0+
CORD UNGROUNDED 110V - SUBSTITUTE GROUNDED CORD	NO LONGER AVAILABLE
CORD GROUNDED 110V	NO LONGER AVAILABLE
CORD 220V	NO LONGER AVAILABLE
BELT: UPPER (6X441)	305157.13.2+
BELT: LOWER (5X229)	NO LONGER AVAILABLE
CAM STACK GEAR	NO LONGER AVAILABLE
FEED DOGS	328000.03.4+
HORIZONTAL GEAR / VERTICAL GEAR (REPLACE AS A SET)	303010.13.0+ / 316002.03.2+
NEEDLE PLATE	327000.03.4+
HOOK	030206.52.00
BOBBINCASE	001534.73.03
BOBBIN	001536.72.00

## BERNINA MODEL 717

**MOTOR TYPE B-717 USING TYPE 213 FOOT CONTROL**  
**TWO ROUND PRONGS IN THE FOOT CONTROL**

MOTOR 110V	NO LONGER AVAILABLE
MOTOR 220V	NO LONGER AVAILABLE
MOTOR BRUSHES	NO LONGER AVAILABLE
CORD UNGROUNDED 110V - SUBSTITUTE GROUNDED CORD	NO LONGER AVAILABLE
CORD GROUNDED 110V	NO LONGER AVAILABLE
CORD 220V	NO LONGER AVAILABLE
BELT:UPPER (6X441)	305157.13.2+
BELT:LOWER (5X236)	NO LONGER AVAILABLE
CAM STACK GEAR	NO LONGER AVAILABLE
FEED DOGS	328000.03.4+
HORIZONTAL GEAR / VERTICAL GEAR (REPLACE AS A SET)	303010.13.0+ / 316002.03.2+
NEEDLE PLATE	327000.03.4+
HOOK	030206.52.00
BOBBINCASE	001534.73.03
BOBBIN	001536.72.00

## BERNINA MODEL 730

### MOTOR TYPE EPL, GREEN FOOT CONTROL NO LONGER AVAILABLE

MOTOR 110V	NO LONGER AVAILABLE
MOTOR BRUSHES	324250.08.0+
CORD FOR TYPE 213 FT.CONT. NO GROUND (SUBSTITUTE GROUNDED	NO LONGER AVAILABLE
CORD FOR TYPE 213 FT. CONT. W/GROUND	NO LONGER AVAILABLE
CORD 220V	NO LONGER AVAILABLE

### IF USING GREEN FOOT CONTROL WITH ANY OF THESE CORDS CUT OFF FOOT CONTROL PLUG AND REWIRE INTO FOOT CONTROL

BELT:UPPER (5X350)	NO LONGER AVAILABLE
BELT:LOWER (5X322)	NO LONGER AVAILABLE
SEWING LIGHT 110V BAY. BASE	002636.71.00
SEWING LIGHT 220V BAY. BASE	002636.71.02
SEWING LIGHT 110V SCREW BASE	502010.10.93
SEWING LIGHT 220V SCREW BASE	NO LONGER AVAILABLE
LIGHT SWITCH COMPLETE BAY. BASE	326268.03.5+
CAM STACK GEAR	310007.03.9+
FEED DOGS	328000.03.4+
HORIZONTAL GEAR / VERTICAL GEAR (REPLACE AS A SET)	303010.13.0+ / 316002.03.2+

LIGHT SWITCH COMPLETE SCREW BASE NO LONGER AVAILABLE

### MOTOR TYPE PSE 3C W/KNEE CONTROL

MOTOR 110V	NO LONGER AVAILABLE
MOTOR 220V	NO LONGER AVAILABLE
MOTOR BRUSHES	NO LONGER AVAILABLE
CORD 110V FROM MOTOR TO OUTLET	NO LONGER AVAILABLE
CORD 220V FROM MOTOR TO OUTLET	NO LONGER AVAILABLE
BELT:UPPER (5X350)	NO LONGER AVAILABLE
BELT:LOWER (5X330)	305059.13.0+
CAM STACK GEAR	310007.03.9+
FEED DOGS	328000.03.4+
HORIZONTAL GEAR / VERTICAL GEAR (REPLACE AS A SET)	303010.13.0+ / 316002.03.2+
NEEDLE PLATE (35mm diameter no longer available)	327000.03.4+ (40mm)
HOOK	030206.52.00
BOBBINCASE	001534.73.03
BOBBIN	001536.72.00

**BERNINA MODEL 740**

FOOT CONTROL	325213.14.0+
MOTOR 110V	NO LONGER AVAILABLE
MOTOR BRUSHES	324250.08.0+
POWER CORD 110V	NO LONGER AVAILABLE
SEWING LIGHT 110V BAY. BASE	002636.71.00
SEWING LIGHT 220V BAY. BASE	002636.71.02
SEWING LIGHT 110V SCREW BASE	502010.10.93
SEWING LIGHT 220V SCREW BASE	NO LONGER AVAILABLE
LIGHT SWITCH COMPL. BAY BASE	326268.03.5+
LIGHT SWITCH COMPL. SCREW BASE	NO LONGER AVAILABLE
CAM STACK GEAR	310007.03.9+
FEED DOGS	328007.03.2+
HORIZONTAL GEAR / VERTICAL GEAR (REPLACE AS A SET)	303010.13.0+ / 316002.03.2+
NEEDLE PLATE	327128.03.0+
HOOK CPL	004076.71.00
BOBBIN	330026.03.0+
BOBBINCASE	004077.70.00

## BERNINA MODEL 801

### NON-ELECTRONIC USES FOOT CONTROL TYPE 213 TWO ROUND PRONGS IN THE FOOT CONTROL

MOTOR COMPL. W/HOUSING 110V	NO LONGER AVAILABLE	
MOTOR COMPL. W/HOUSING 220V	NO LONGER AVAILABLE	
MOTOR ONLY 110V	323884.04.0+	
MOTOR ONLY 220V	NO LONGER AVAILABLE	
MOTOR HOUSING ONLY 3 PIN UNGROUNDED	002799.50.02	
MOTOR HOUSING ONLY 4 PIN GROUNDED	NO LONGER AVAILABLE	
MOTOR BRUSHES	NO LONGER AVAILABLE	
CORD UNGROUNDED 110V - SUBSTITUTE GROUNDED CORD	NO LONGER AVAILABLE	
CORD GROUNDED 110V	NO LONGER AVAILABLE	
CORD 220V	NO LONGER AVAILABLE	
BELT: UPPER (6X422)	305201.13.2+	
BELT: LOWER (5X236)	NO LONGER AVAILABLE	
SEWING LIGHT 110V	002636.71.00	
SEWING LIGHT 220V	326010.14.1+	
FOOT CONT. COMPLETE TYPE 213	325213.14.0+	
THERMAL SWITCH	381053.04.2+	
COOLING PLATE	325272.03.0+	
RHEOSTAT	325220.04.1+	
CAM STACK GEAR	310046.03.0+	
CAM STACK GEAR (801 SPORT)	310053.03.0+	
FEED DOGS	328000.03.4+	
VERTICAL GEAR	316002.03.2+	
DIODE IN MIN/MAX SWITCH	335023.03.1+	
* FEED DOG CRANK ECCENTRIC	316186.14.2+	* MUST REPLACE
* CAM LEVER	314000.43.2+	ALL THREE AS A
* SLIDE PIECE	314151.13.0+	SET
NEEDLE PLATE	327000.03.4+	
HOOK	030206.52.00	
BOBBINCASE	001534.73.03	
BOBBIN	001536.72.00	
RACE COVER	001538.72.00	

## BERNINA MODEL 801

**ELECTRONIC OLD STYLE USES TYPE 232 FOOT CONTROL  
THREE ROUND PRONGS IN THE FOOT CONTROL**

MOTOR COMPLETE W/HOUSING 110V	NO LONGER AVAILABLE	
MOTOR COMPLETE W/HOUSING 220V	NO LONGER AVAILABLE	
MOTOR ONLY 110V	323884.04.0+	
MOTOR ONLY 220V	NO LONGER AVAILABLE	
MOTOR HOUSING ONLY 3 PIN UNGROUNDED	002799.50.02	
MOTOR HOUSING ONLY 4 PIN GROUNDED	NO LONGER AVAILABLE	
MOTOR BRUSHES	NO LONGER AVAILABLE	
CORD 110V	NO LONGER AVAILABLE	
CORD 220V	NO LONGER AVAILABLE	
BELT:UPPER (5X420)	305201.13.2+	
BELT:LOWER (5X260)	NO LONGER AVAILABLE	
SEWING LIGHT BULB 110V	002636.71.00	
SEWING LIGHT BULB 220V	326010.14.1+	
FOOT CONTROL COMPL. TYPE 232	325232.04.2+	
CIRCUIT BOARD IN FOOT CONTROL 110V	002705.70.02	
CIRCUIT BOARD IN FOOT CONTROL 220V	002705.70.00	
CARBON PINS	325355.03.1+	
ARM THAT HOLD THE CARBON PINS	NO LONGER AVAILABLE	
CLAMPING PIECE FOR CIRCUIT BOARD	325223.03.2+	
CAM STACK GEAR	310046.03.0+	
CAM STACK GEAR (801 SPORT)	310053.03.0+	
FEED DOGS	328000.03.4+	
VERTICAL GEAR	316002.03.2+	
* FEED DOG CRANK ECCENTRIC	316186.14.2+	* MUST REPLACE
* CAM LEVER	314000.43.2+	ALL THREE AS A
* SLIDE PIECE	314151.13.0+	SET
NEEDLE PLATE	327000.03.4+	
HOOK	030206.52.00	
BOBBINCASE	001534.73.03	
BOBBIN	001536.72.00	
RACE COVER	001538.72.00	

## BERNINA MODEL 801S/802S

**ELECTRONIC NEW STYLE USES TYPE 290 FOOT CONTROL  
THREE OR FOUR SQUARE PINS IN FOOT CONTROL**

MOTOR COMPLETE W/HOUSING 110V	NO LONGER AVAILABLE	
MOTOR COMPLETE W/HOUSING 220V	NO LONGER AVAILABLE	
MOTOR ONLY 110V	323884.04.0+	
MOTOR ONLY 220V	NO LONGER AVAILABLE	
MOTOR HOUSING ONLY 3 PIN GROUNDED	323743.03.0+	
MOTOR HOUSING ONLY 4 PIN GROUNDED	323759.13.0+	
MOTOR BRUSHES	NO LONGER AVAILABLE	
CORD 110V (GRAY)	002686.71.18	
CORD 220V (GRAY)	NO LONGER AVAILABLE	
CORD BLACK 220V	NO LONGER AVAILABLE	
CORD BLACK & BROWN 110V	NO LONGER AVAILABLE	
BELT:UPPER (6X422)	305201.13.2+	
BELT:LOWER (5X260)	NO LONGER AVAILABLE	
LIGHT BULB BAY. BASE 110V	002636.71.00	
LIGHT BULB BAY. BASE 220V	326010.14.1+	
LIGHT SWITCH COMPLETE	326268.03.5+	
FOOT CONT. COMPLETE BLACK 110V	NO LONGER AVAILABLE	
FOOT CONT. COMPLETE BROWN 220V	NO LONGER AVAILABLE	
FOOT CONT. COMPLETE BROWN 110V	NO LONGER AVAILABLE	
FOOT CONTROL COMPLETE SUBSTITUTION TO REPLACE 290 ONLY	004930.72.01	
CIRCUIT BOARD IN FOOT CONTROL 110V-290 FOOT CONTROL ONLY	002705.70.02	
CIRCUIT BOARD IN FOOT CONTROL 220V-290 FOOT CONTROL ONLY	002705.70.00	
CARBON PINS	325355.03.1+	
SLIDE PIECE	325277.03.4+	
FOOT CONTROL TOP BROWN	NO LONGER AVAILABLE	
FOOT CONTROL TOP BLACK	NO LONGER AVAILABLE	
FOOT CONTROL TOP GRAY (SUBSTITUTE FOR BLACK OR BROWN)	002697.70.02	
LONG SCREWS IN FOOT CONTROL	203030.23.++	
SHORT SCREWS IN FOOT CONTROL	203023.23.++	
* FEED DOG CRANK ECCENTRIC	316186.14.2+	*MUST REPLACE
* CAM LEVER	314000.43.2+	ALL THREE AS A
* SLIDE PIECE	314151.13.0+	SET
NEEDLE PLATE	327000.03.4+	
HOOK	030206.52.00	
BOBBINCASE	001534.73.03	
BOBBIN	001536.72.00	
RACE COVER	001538.72.00	

## **BERNINA MODEL 807**

### **MOTOR TYPE B-807 USING TYPE 213 FOOT CONTROL TWO ROUND PRONGS IN FOOT CONTROL**

MOTOR COMPLETE W/HOUSING 110V	NO LONGER AVAILABLE
MOTOR COMPLETE W/HOUSING 220V	NO LONGER AVAILABLE
MOTOR ONLY 110V	323884.04.0+
MOTOR ONLY 220V	NO LONGER AVAILABLE
MOTOR BRUSHES	324250.08.0+
MOTOR HOUSING ONLY 3 PIN	002799.50.02
MOTOR HOUSING ONLY 4 PIN	NO LONGER AVAILABLE
CORD UNGROUNDED 110V - SUBSTITUTE GROUNDED CORD	NO LONGER AVAILABLE
CORD GROUNDED 110V	NO LONGER AVAILABLE
CORD 220V	NO LONGER AVAILABLE
LIGHT BULB BAY. BASE 110V	002636.71.00
LIGHT BULB BAY. BASE 220V	326010.14.1+
LIGHT SWITCH COMPL.	326268.03.5+
BELT:UPPER (6X422)	305201.13.2+
BELT:LOWER (5X229)	NO LONGER AVAILABLE
CAM STACK GEAR	310020.13.4+
FEED DOGS	328000.03.4+
VERTICAL GEAR	316002.03.2+
DIODE IN MIN/MAX SWITCH	335023.03.1+
NEEDLE PLATE	327000.03.4+
HOOK	030206.52.00
BOBBINCASE	001534.73.03
BOBBIN	001536.72.00
RACE COVER	001538.72.00



## BERNINA MODEL 811

**MOTOR TYPE B-811 FOOT CONTROL  
TYPE 232 THREE PRONGS ROUND OR TYPE 290 - THREE PRONGS RECTANGLE**

MOTOR 110V	NO LONGER AVAILABLE
MOTOR BRUSHES	NO LONGER AVAILABLE
CORD GROUNDED 110V FOR TYPE 232 FOOT CONTROL	NO LONGER AVAILABLE
CORD 220V TYPE 232 FOOT CONTROL	NO LONGER AVAILABLE
CORD 110V FOR TYPE 290 FT. CONTROL (GRAY)	002686.71.18
CORD 220V TYPE 290 FT. CONTROL	NO LONGER AVAILABLE
CORD 220V TYPE 290 FT. CONTROL (BLACK)	NO LONGER AVAILABLE
FOOT CONTROL COMPLETE TYPE 232	325232.04.2+
FOOT CONTROL COMPLETE SUBSTITUTION TO REPLACE 290 ONLY	004930.72.01
BELT:UPPER (6X441)	305157.13.2+
BELT: LOWER (5X236)	NO LONGER AVAILABLE
CAM STACK GEAR	310020.13.4+
FEED DOGS	328000.03.4+
VERTICAL GEAR	316002.03.2+
NEEDLE PLATE	327111.13.4+
HOOK	030206.52.00
BOBBINCASE	001534.73.03
BOBBIN	001536.72.00
RACE COVER	001538.72.00

## BERNINA MODEL 817

**MOTOR TYPE B-817 USES FOOT CONTROL TYPE 213  
TWO ROUND PRONGS IN FOOT CONTROL**

MOTOR 110V	NO LONGER AVAILABLE
MOTOR 220V	NO LONGER AVAILABLE
MOTOR BRUSHES	324250.08.0+
CORD UNGROUNDED 110V - SUBSTITUTE GROUNDED CORD	NO LONGER AVAILABLE
CORD GROUNDED 110V	NO LONGER AVAILABLE
CORD 220V	NO LONGER AVAILABLE
LIGHT BULB BAY. BASE 110V	002636.71.00
LIGHT BULB BAY. BASE 220V	326010.14.1+
LIGHT SWITCH COMPLETE	326268.03.5+
BELT:UPPER (6X441)	305157.13.2+
BELT:LOWER (5X236)	NO LONGER AVAILABLE
CAM STACK GEAR	310020.13.4+
FEED DOGS	328000.03.4+
VERTICAL GEAR	316002.03.2+
DIODE IN MIN/MAX SWITCH	335023.03.1+
NEEDLE PLATE	327111.13.4+
HOOK	030206.52.00
BOBBINCASE	001534.73.03
BOBBIN	001536.72.00
RACE COVER	001538.72.00

## BERNINA MODEL 830

MOTOR TYPE B-830

NON ELECTRONIC 1971-1976 USES FOOT CONTROL TYPE 213

TWO ROUND PRONGS IN THE FOOT CONTROL

MOTOR COMPL. W/HOUSING 110V	NO LONGER AVAILABLE	
MOTOR COMPL. W/HOUSING 220V	NO LONGER AVAILABLE	
MOTOR ONLY 110V	323884.04.0+	
MOTOR ONLY 220V	NO LONGER AVAILABLE	
MOTOR HOUSING ONLY 3 PIN UNGROUNDED	002799.50.02	
MOTOR HOUSING ONLY 4 PIN GROUNDED	NO LONGER AVAILABLE	
MOTOR BRUSHES	324250.08.0+	
CORD UNGROUNDED 110V - SUBSTITUTE GROUNDED CORD	NO LONGER AVAILABLE	
CORD GROUNDED 110V	NO LONGER AVAILABLE	
CORD 220V	NO LONGER AVAILABLE	
BELT:UPPER (6X420)	305201.13.2+	
BELT:LOWER (5X260)	NO LONGER AVAILABLE	
SEWING LIGHT 110V	002636.71.00	
SEWING LIGHT 220V	326010.14.1+	
FOOT CONT. COMPLETE TYPE 213	325213.14.0+	
THERMAL SWITCH	381053.04.2+	
COOLING PLATE	325272.03.0+	
RHEOSTAT	325220.04.1+	
CAM STACK GEAR	310007.03.9+	
FEED DOGS	328000.03.4+	
VERTICAL GEAR	316002.03.2+	
DIODE IN MIN/MAX SWITCH	335023.03.1+	
* FEED DOG CRANK ECCENTRIC	316186.14.2+	* MUST REPLACE
* CAM LEVER	314000.43.2+	ALL THREE AS A
* SLIDE PIECE	314151.13.0+	SET
NEEDLE PLATE	327000.03.4+	
HOOK	030206.52.00	
BOBBINCASE	001534.73.03	
BOBBIN	001536.72.00	
RACE COVER	001538.72.00	

## BERNINA MODEL 830

### ELECTRONIC 1975-1976 FOOT CONTROL TYPE 232 THREE ROUND PRONGS IN THE FOOT CONTROL

MOTOR COMPLETE W/HOUSING 110V	NO LONGER AVAILABLE	
MOTOR COMPLETE W/HOUSING 220V	NO LONGER AVAILABLE	
MOTOR ONLY 110V	323884.04.0+	
MOTOR ONLY 220V	NO LONGER AVAILABLE	
MOTOR HOUSING ONLY 3 PIN UNGROUNDED	002799.50.02	
MOTOR HOUSING ONLY 4 PIN GROUNDED	NO LONGER AVAILABLE	
MOTOR BRUSHES	NO LONGER AVAILABLE	
CORD 110V	NO LONGER AVAILABLE	
CORD 220V	NO LONGER AVAILABLE	
BELT:UPPER (5X420)	305201.13.2+	
BELT:LOWER (5X260)	NO LONGER AVAILABLE	
SEWING LIGHT BULB 110V	002636.71.00	
SEWING LIGHT BULB 220V	326010.14.1+	
FOOT CONTROL COMPL. TYPE 232	325232.04.2+	
CIRCUIT BOARD IN FOOT CONTROL 110V	002705.70.02	
CIRCUIT BOARD IN FOOT CONTROL 220V	002705.70.00	
CARBON PINS	325355.03.1+	
ARM THAT HOLD THE CARBON PINS	NO LONGER AVAILABLE	
CLAMPING PIECE FOR CIRCUIT BOARD	325223.03.2+	
CAM STACK GEAR	310007.03.9+	
FEED DOGS	328000.03.4+	
VERTICAL GEAR	316002.03.2+	
* FEED DOG CRANK ECCENTRIC	316186.14.2+	*MUST REPLACE
* CAM LEVER	314000.43.2+	ALL THREE AS A
* SLIDE PIECE	314151.13.0+	SET
NEEDLE PLATE	327000.03.4+	
HOOK	030206.52.00	
BOBBINCASE	001534.73.03	
BOBBIN	001536.72.00	
RACE COVER	001538.72.00	

## BERNINA MODEL 830

### MODEL TYPE B-830 ELECTRONIC 1977-1982 USES TYPE 290 FOOT THREE OR FOUR SQUARE PINS IN FOOT CONTROL

MOTOR COMPLETE W/HOUSING 110V	NO LONGER AVAILABLE	
MOTOR COMPLETE W/HOUSING 220V	NO LONGER AVAILABLE	
MOTOR ONLY 110V	323884.04.0+	
MOTOR ONLY 220V	NO LONGER AVAILABLE	
MOTOR HOUSING ONLY 3 PIN UNGROUNDED	323743.03.0+	
MOTOR HOUSING ONLY 4 PIN GROUNDED	323759.13.0+	
MOTOR BRUSHES	NO LONGER AVAILABLE	
CORD 110V (GRAY)	002686.71.18	
CORD 220V (GRAY)	NO LONGER AVAILABLE	
CORD BLACK 220V	NO LONGER AVAILABLE	
CORD BLACK & BROWN 110V	NO LONGER AVAILABLE	
BELT:UPPER (6X422)	305201.13.2+	
BELT:LOWER (5X260)	NO LONGER AVAILABLE	
LIGHT BULB BAY. BASE 110V	002636.71.00	
LIGHT BULB BAY. BASE 220V	326010.14.1+	
LIGHT SWITCH COMPLETE	326268.03.5+	
FOOT CONT. COMPLETE BLACK 110V	NO LONGER AVAILABLE	
FOOT CONTROL SUBSTITUTION TO REPLACE 290 ONLY	004930.72.01	
FOOT CONT. COMPLETE BROWN 220V	NO LONGER AVAILABLE	
FOOT CONT. COMPLETE BROWN 110V	NO LONGER AVAILABLE	
CIRCUIT BOARD IN FOOT CONTROL 110V-290 FOOT CONTROL ONLY	002705.70.02	
CIRCUIT BOARD IN FOOT CONTROL 220V-290 FOOT CONTROL ONLY	002705.70.00	
CARBON PINS	325355.03.1+	
SLIDE PIECE	325277.03.4+	
FOOT CONTROL TOP COVER BROWN	NO LONGER AVAILABLE	
FOOT CONTROL TOP COVER BLACK	NO LONGER AVAILABLE	
FOOT CONTROL TOP GRAY (SUBSTITUTE FOR BLACK OR BROWN)	002697.70.02	
LONG SCREWS	203030.23.++	
SHORT SCREWS	203023.23.++	
CAM STACK GEAR	310046.03.0+	
CAM STACK GEAR (801 SPORT)	310053.03.0+	
FEED DOGS	328000.03.4+	
VERTICAL GEAR	316002.03.2+	
* FEED DOG CRANK ECCENTRIC	316186.14.2+	* MUST REPLACE
* CAM LEVER	314000.43.2+	ALL THREE AS A
* SLIDE PIECE	314151.13.0+	SET

### STITCH LENGTH ASSEMBLY (ADD PARTS BELOW)

2 SCREWS	211466.23.++	
2 WASHERS	NO LONGER AVAILABLE	
1 LINK PLATE	NO LONGER AVAILABLE	
1 LINK PLATE	NO LONGER AVAILABLE	
NEEDLE PLATE	327000.03.4+	
HOOK	030206.52.00	
BOBBINCASE	001534.73.03	
BOBBIN	001536.72.00	
RACE COVER	001538.72.00	

## **BERNINA MODEL 840 / 940**

FOOT CONTROL	NO LONGER AVAILABLE
MOTOR ONLY 110V	NO LONGER AVAILABLE
MOTOR W/HOUSING 110V	NO LONGER AVAILABLE
MOTOR W/HOUSING 220V	NO LONGER AVAILABLE
MOTOR BRUSHES NON-ELECTRONIC	324250.08.0+
MOTOR BRUSHES ELECTRONIC	NO LONGER AVAILABLE
CORD NON-ELECTRONIC UNGROUNDED - SUBSTITUTE GROUNDED CORD	NO LONGER AVAILABLE
CORD NON-ELECTRONIC GROUNDED	NO LONGER AVAILABLE
CORD 220V NON-ELECTRONIC	NO LONGER AVAILABLE
CORD 110V ELECTRONIC	NO LONGER AVAILABLE
CORD 220V GRAY	NO LONGER AVAILABLE
CORD 220V BLACK	NO LONGER AVAILABLE
LIGHT BULB BAY. BASE 110V	002636.71.00
LIGHT BULB BAY. BASE 220V	326010.14.1+
SEWING LIGHT ASSEMBLY	NO LONGER AVAILABLE
SEWING LIGHT BULB	NO LONGER AVAILABLE
BELT (5X330)	305059.13.0+
FEED DOGS (840)	328007.03.2+
HORIZONTAL GEAR (840 ONLY)	NO LONGER AVAILABLE
VERTICAL GEAR	004182.70.00
NEEDLE PLATE (840)	NO LONGER AVAILABLE
NEEDLE PLATE (940)	327128.03.0+
HOOK CPL	004076.71.00
BOBBIN	330026.03.0+
BOBBINCASE	004077.70.00

## **BERNINA MODEL 850/950**

THESE MACHINES ARE MOUNTED IN A STAND. BERNINA SUPPLIES THE HEAD ONLY.

COBALT MOTOR BRUSHES	NO LONGER AVAILABLE
FEED DOGS	328007.03.2+
CAM STACK GEAR	310053.03.0+
950 BELT 8X5X1000 MM	004259.50.02
NEEDLE PLATE (850)	NO LONGER AVAILABLE
NEEDLE PLATE (950)	327128.03.0+
HOOK CPL	004076.71.00
BOBBIN	330026.03.0+
BOBBINCASE	004077.70.00

**BERNINA MODEL 900**

MOTOR 110V	NO LONGER AVAILABLE
MOTOR 220V	NO LONGER AVAILABLE
MOTOR BRUSHES	NO LONGER AVAILABLE
CORD FROM MOTOR TO OUTLET 110V	NO LONGER AVAILABLE
CORD FROM MOTOR TO OUTLET 220V	NO LONGER AVAILABLE
CORD FROM MOTOR TO FOOT CONTROL 110V	NO LONGER AVAILABLE
BELT:UPPER (6X422)	305201.13.2+
BELT:LOWER (5X236)	NO LONGER AVAILABLE
LIGHT BULB BAY. BASE 110V	002636.71.00
LIGHT BULB BAY. BASE 220V	326010.14.1+
LIGHT SWITCH COMPLETE	326268.03.5+
CIRCUIT BOARD 110V	NO LONGER AVAILABLE
CIRCUIT BOARD 220V	NO LONGER AVAILABLE
FOOT CONTROL COMPLETE (RED)	NO LONGER AVAILABLE
RESISTOR PLATE IN FOOT CONTROL	NO LONGER AVAILABLE
MICRO-SWITCH IN FOOT CONTROL	NO LONGER AVAILABLE
CAM STACK GEAR	NO LONGER AVAILABLE
FEED DOGS	328000.03.4+
VERTICAL GEAR	316002.03.2+
NEEDLE PLATE	327000.03.4+
HOOK	030206.52.00
BOBBINCASE	001534.73.03
BOBBIN	001536.72.00
RACE COVER	001538.72.00

## BERNINA MODEL 910

MOTOR 110V	323869.04.1+	
L-910 (POWER SUPPLY CIRCUIT BOARD)	REPAIR ONLY	
INDICATOR 910	311278.04.0+	
CHASSIS ONLY	323861.03.1+	
MOTOR BRUSHES	323784.03.0+	
POWER CORD 110V (WHITE)	329318.03.0+	
POWER CORD 110V (BROWN)	NO LONGER AVAILABLE	
FOOT CONTROL CORD (WHITE)	NO LONGER AVAILABLE	
FOOT CONTROL CORD (BROWN)	329307.03.1+	
LIGHT BULB 110V	002636.71.00	
LIGHT BULB 220V	326010.14.1+	
SEWING LIGHT ASSEMBLY	326268.03.5+	
FOOT CONTROL COMPLETE TYPE 366 BROWN	NO LONGER AVAILABLE	
FOOT CONTROL COMPLETE TYPE 366 BLUE	002641.70.12	
RESISTER PLATE IN FOOT CONTROL TYPE 347	335263.03.1+	
RESISTER PLATE IN FOOT CONTROL TYPE 366	004346.50.00	
CARBON PINS	325355.03.1+	
SLIDE PIECE	325277.03.4+	
TOP COVER (BLUE) UP/DOWN	002645.71.04	
TOP COVER (BROWN)	NO LONGER AVAILABLE	
BELT:UPPER	305326.03.0+	
BELT:LOWER	305327.03.0+	
CAM STACK GEAR	310053.03.0+	
FEED DOGS	328000.03.4+	
VERTICAL GEAR	316002.03.2+	
* FEED DOG CRANK ECCENTRIC	316186.14.2+	*MUST REPLACE
* CAM LEVER	314000.43.2+	ALL THREE AS A
* SLIDE PIECE	314151.13.0+	SET
NEEDLE PLATE	327000.03.4+	
HOOK	030206.52.00	
BOBBINCASE	001534.73.03	
BOBBIN	001536.72.00	
RACE COVER	001538.72.00	

## **BERNINA MODEL 930**

### OLD STYLE NEEDLE STOP UP ONLY - FOOT CONTROL TYPE 347

MOTOR 110V	323811.04.0+
MOTOR 220V	NO LONGER AVAILABLE
MOTOR CHASSIS ONLY OLD STYLE	323816.03.4+
MOTOR BRUSHES	323784.03.0+
L-PRINT CIRCUIT BOARD 110V	REPAIR ONLY
S-930 MOTOR CONTROL	335254.03.1+
T-930 TRANSFORMER PRINT	NO LONGER AVAILABLE
CORD 110V	329318.03.0+
CORD 220V	NO LONGER AVAILABLE
FOOT CONTROL CORD 110V	329307.03.1+
LIGHT BULB 110V	002636.71.00
LIGHT BULB 220V	326010.14.1+
LIGHT SWITCH ASSEMBLY COMPLETE	326530.03.1+
FOOT CONTROL TYPE 347 COMPLETE	325346.04.0+
RESISTOR PLATE IN FOOT CONTROL	335263.03.1+
CARBON PINS	325355.03.1+
SLIDE PIECE	325277.03.4+
TOP COVER BROWN UP ONLY	325340.14.0+
CAM STACK GEAR	310053.03.0+
FEED DOGS	328162.03.2+
VERTICAL GEAR	316002.03.2+
NEEDLE PLATE	327000.03.4+
MICROSWITCH ON L-PRINT	335327.02.1+
HOOK	030206.52.00
BOBBINCASE	001534.73.03
BOBBIN	001536.72.00
RACE COVER	001538.72.00



**BERNINA MODEL 930****NEW STYLE NEEDLE STOP UP AND DOWN - FOOT CONTROL TYPE 366**

	<b>NLA - *SEE SUBSTITUTION BELOW</b>
MOTOR 110V	
MOTOR 220V	NO LONGER AVAILABLE
L-PRINT CIRCUIT BOARD 110V	REPAIR ONLY
MOTOR CHASSIS ONLY NEW STYLE	323816.13.0+
MOTOR BRUSHES	323784.03.0+
POWER CORD 110V	329318.03.0+
POWER CORD 220V	NO LONGER AVAILABLE
FOOT CONTROL CORD	329307.03.1+
LIGHT BULB 110V	002636.71.00
LIGHT BULB 220V	326010.14.1+
SEWING LIGHT ASSEMBLY	326530.03.1+
FOOT CONTROL COMPL. TYPE 366	002641.70.12
RESISTER PLATE IN FOOT CONTROL	004346.50.00
CARBON PINS	325355.03.1+
SLIDE PIECE	325277.03.4+
TOP COVER UP/DOWN	002645.71.04
CAM STACK GEAR	310053.03.0+
FEED DOGS	328162.03.2+
VERTICAL GEAR	316002.03.2+
NEEDLE PLATE	327000.03.4+
MICROSWITCH ON L-PRINT	335327.02.1+
HOOK	030206.52.00
BOBBINCASE	001534.73.03
BOBBIN	001536.72.00
RACE COVER	001538.72.00

**\*BERNINA 930 MOTOR REPLACEMENT**

930 MOTOR IS NO LONGER AVAILABLE. SUBSTITUTE WITH THE 910  
MOTOR PART#323869.04.1+ YOU MUST REMOVE THE PULLEY AND FAN  
FROM THE OLD MOTOR AND PUT IT ON THE NEW MOTOR.

**BERNINA MODELS 1000/1001/1004/1005/1006/1008/1010/1011**

MOTOR 110V	000206.70.01
MOTOR 220V	000206.70.03
MOTOR W/CHASSIS COMPL. 110V	NO LONGER AVAILABLE
MOTOR W/CHASSIS COMPL. 220V	NO LONGER AVAILABLE
MOTOR BRUSHES	006429.50.01
E-PRINT(OLD STYLE) *	NO LONGER AVAILABLE
E-PRINT (NEW STYLE) *	000430.71.01
* NEW STYLE E-PRINT CAN BE SUBSTITUTED FOR THE OLD STYLE HOWEVER THE OLD WIRES MUST BE UNSOLDERED FROM THE OLD PRINT AND SOLDERED ONTO THE NEW PRINT	
LIGHT BULB 110V O/S	002636.71.00
LIGHT BULB 220V O/S	002636.71.02
LIGHT BULB SCREW BASE N/S	003168.70.00
SEWING LIGHT ASSEMBLY N/S (SCREW BASE)	003097.70.01
SEWING LIGHT ASSEMBLY 110V O/S	002628.70.01
SEWING LIGHT ASSEMBLY 220V O/S	002628.70.00
FOOT CONTROL 1008	004930.72.01
FOOT CONTROL COMPL. 110V (GRAY)-290 FOOT CONTROL	NO LONGER AVAILABLE
FOOT CONTROL COMPL. 220V (GRAY)-290 FOOT CONTROL	NO LONGER AVAILABLE
CIRCUIT BOARD IN FOOT CONTROL 110V-290 FOOT CONTROL ONLY	002705.70.02
CIRCUIT BOARD IN FOOT CONTROL 220V-290 FOOT CONTROL ONLY	002705.70.00
POWER CORD 110V (GRAY)	002686.71.18
POWER CORD 220V (GRAY)	NO LONGER AVAILABLE
SLIDE PIECE	325277.03.4+
CARBON PINS	325355.03.1+
BEVEL GEARS (1004 - 1011 ONLY)	002834.70.00
FEED DOGS	000027.52.00
NEEDLE PLATE	001633.72.01
HOOK	030206.52.00
HOOK (1000/1001)	002319.73.00
BOBBINCASE	001534.73.03
BOBBINCASE (1000/1001)	006068.72.01
BOBBIN METAL	001536.72.00
BOBBIN (1001)	006026.52.00
BOBBIN PLASTIC FOR 1000 MODEL	002378.53.00
RACE COVER	001538.72.00

**BERNINA MODEL 1030/1031/1020**

L PRINT 110V POWER SUPPLY BOARD	REPAIR ONLY
L PRINT 220V POWER SUPPLY BOARD	REPAIR ONLY
MOTOR 110V	001479.70.01
MOTOR 220V	001479.70.00
MOTOR W/CHASSIS 110V	001508.71.01
MOTOR W/CHASSIS 220V	NO LONGER AVAILABLE
MOTOR BRUSHES	006512.50.00
BOBBIN WINDER COMPL.	001382.70.01
FOOT CONTROL COMPL.	001847.70.04
FOOT CONTROL RESISTOR W/CORD	002846.70.01
LIGHT HOLDER ASSEMBLY	001197.73.01
SEWING LIGHTS	000305.50.00
CORD REEL 110V	002057.71.07
CORD REEL 220V	002057.70.04
3B BUTTON-HOLE FOOT	006686.70.00
BEVEL GEARS	002834.70.00
FEED DOGS	000027.52.00
BOBBIN WINDER W/CUTTER (1031 ONLY)	001382.71.02
NEEDLE PLATE	001633.72.01
LIGHT SWITCH ONLY	001148.50.00
HOOK	030206.52.00
BOBBINCASE	001534.73.03
BOBBIN	001536.72.00
RACE COVER	001538.72.00

**BERNINA MODEL 1080 / 1080QE**

L-PRINT CIRCUIT BOARD 110V	REPAIR ONLY
L-PRINT CIRCUIT BOARD 220V	REPAIR ONLY
S-PRINT CIRCUIT BOARD 110V	REPAIR ONLY
S-PRINT CIRCUIT BOARD 1080QE 110V	REPAIR ONLY
A-PRINT (DISPLAY PRINT) 110V	REPAIR ONLY
FRONT PANEL 1080	001305.70.01
FRONT PANEL 1080QE	001305.70.05
SERVICE PANEL	000536.50.00
P-PRINT (POS. INDICATOR)	000290.71.00
R-PRINT (MOTOR CONTROL) ORANGE LABEL	000564.70.00
R-PRINT (MOTOR CONTROL) YELLOW LABEL	000345.71.00
RET - PRINT	000533.70.00
MOTOR ONLY 110V	001479.70.01
MOTOR ONLY 220V	001479.70.00
MOTOR W/CHASSIS 110V	001508.71.01
MOTOR W/CHASSIS 220V	NO LONGER AVAILABLE
MOTOR BRUSHES	006512.50.00
BOBBIN WINDER COMPLETE O/S	001180.70.02
BOBBIN WINDER COMPLETE W/CUTTER	001180.71.03
LIGHT HOLDER ASSEMBLY	001197.73.01
LIGHT BULB 6V	000305.50.00
3B BUTTONHOLE FOOT	006686.70.00
POWER CORD 110V	001799.72.03
POWER CORD 220V	NO LONGER AVAILABLE
FOOT CONTROL COMPLETE	002641.70.12
STITCH LENGTH STEP MOTOR COMPL.	000182.71.01
STITCH LENGTH STEP MOTOR ONLY	NO LONGER AVAILABLE
SB STEP MOTOR COMPLETE N/S	000725.70.00
SB STEP MOTOR COMPLETE O/S	001028.70.00
BEVEL GEAR SET	002834.70.00
FEED DOGS	000027.52.00
NEEDLE PLATE	001633.72.01
LIGHT SWITCH ONLY	001148.50.00
HOOK	030206.52.00
BOBBINCASE	001534.73.03
BOBBIN	001536.72.00
RACE COVER	001538.72.00

**BERNINA MODEL 1090**

L PRINT CIRCUIT BOARD 110V	REPAIR ONLY
L-PRINT CIRCUIT BOARD 220V	REPAIR ONLY
S-PRINT CIRCUIT BOARD 110V	REPAIR ONLY
A-PRINT DISPLAY PRINT	REPAIR ONLY
FRONT PANEL (WHITE)	006353.71.00
FRONT PANEL (CREAM)	NO LONGER AVAILABLE
SERVICE PANEL	000536.50.00
P-PRINT (POSITION PRINT)	000290.71.00
R-PRINT MOTOR CONTROL (ORANGE LABEL)	000564.70.00
R-PRINT MOTOR CONTROL (YELLOW LABEL)	000345.71.00
RET-PRINT RETURN PRINT	000533.70.00
MOTOR 110V	001479.70.01
MOTOR 220V	001479.70.00
MOTOR W/CHASSIS 110V	001508.71.01
MOTOR W/CHASSIS 220V	NO LONGER AVAILABLE
MOTOR BRUSHES	006512.50.00
BOBBIN WINDER COMPLETE O/S	001180.70.02
BOBBIN WINDER W/CUTTER	001180.71.03
LIGHT HOLDER ASSEMBLY	001197.73.01
LIGHT BULB 6V	000305.50.00
3B BUTTON HOLE FOOT	006686.70.00
CORD REEL 110V	002057.71.07
CORD REEL 220V	002057.70.04
FOOT CONTROL COMPL	001320.72.13
FOOT CONTROL RESISTOR HOUSING	001319.70.00
STITCH LENGTH STEP MOTOR COMPL.	000182.71.01
STITCH LENGTH STEP MOTOR ONLY	NO LONGER AVAILABLE
STITCH WIDTH STEP MOTOR COMPL.	001028.70.00
STITCH WIDTH STEP MOTOR COMPL. N/S (CONNECTING STRAP HELD WITH CLIP)	000725.70.00
STITCH WIDTH STEP MOTOR ONLY	001478.70.00
BASTING MAGNET COMPL.	001122.72.00
BEVEL GEAR SET	002834.70.00
FEED DOGS	000027.52.00
NEEDLE PLATE	001633.72.01
LIGHT SWITCH ONLY	001148.50.00
HOOK	030206.52.00
BOBBINCASE	001534.73.03
BOBBIN	001536.72.00
RACE COVER	001538.72.00

**BERNINA MODEL 1090S / 1090QE**

L PRINT CIRCUIT BOARD 110V	REPAIR ONLY
L-PRINT CIRCUIT BOARD 220V	REPAIR ONLY
S-PRINT CIRCUIT BOARD 110V	REPAIR ONLY
S-PRINT 1090Q CIRCUIT BOARD 110V	REPAIR ONLY
A-PRINT DISPLAY PRINT	REPAIR ONLY
FRONT PANEL 1090QE	006353.71.06
SERVICE PANEL	NO LONGER AVAILABLE
P-PRINT (POSITION PRINT)	000290.71.00
R-PRINT MOTOR CONTROL (ORANGE LABEL)	000564.70.00
R-PRINT MOTOR CONTROL (YELLOW LABEL)	000345.71.00
RET-PRINT RETURN PRINT	000533.70.00
MOTOR 110V	001479.70.01
MOTOR 220V	001479.70.00
MOTOR W/CHASSIS 110V	001508.71.01
MOTOR W/CHASSIS 220V	NO LONGER AVAILABLE
MOTOR BRUSHES	006512.50.00
BOBBIN WINDER W/CUTTER	001180.71.03
LIGHT HOLDER ASSEMBLY	001197.73.01
LIGHT BULB 6V	000305.50.00
3B BUTTON HOLE FOOT	006686.70.00
POWER CORD 110V	001799.72.03
POWER CORD 220V	NO LONGER AVAILABLE
FOOT CONTROL COMPL	002641.70.12
FOOT CONTROL RESISTOR HOUSING	001319.70.00
STITCH LENGTH STEP MOTOR COMPL.	000182.71.01
STITCH LENGTH STEP MOTOR ONLY	NO LONGER AVAILABLE
STITCH WIDTH STEP MOTOR COMPL. N/S	000725.70.00
BASTING MAGNET COMPL.	001122.72.00
BEVEL GEAR SET	002834.70.00
FEED DOGS	000027.52.00
LIGHT SWITCH ONLY	001148.50.00
NEEDLE PLATE	001633.72.01
HOOK	030206.52.00
BOBBINCASE	001534.73.03
BOBBIN	001536.72.00
RACE COVER	001538.72.00

**BERNINA MODEL 1130 / 1120**

A-PRINT 1130 DISPLAY PRINT	REPAIR ONLY
A-PRINT 1120 DISPLAY PRINT	REPAIR ONLY
S-PRINT 1130	REPAIR ONLY
S-PRINT 1120	REPAIR ONLY
L-PRINT 1130/1120 110V	REPAIR ONLY
L-PRINT 1130/1120 220V	REPAIR ONLY
R-PRINT MOTOR CONTROL (ORANGE LABEL)	000564.70.00
R-PRINT MOTOR CONTROL (YELLOW LABEL)	000345.71.00
P-PRINT POSITION PRINT	000290.71.00
RET-PRINT RETURN PRINT	001272.70.00
FRONT PANEL 1130	001001.70.00
FRONT PANEL 1120	001016.70.00
BOBBIN WINDER 1130/1120	001180.70.00
LIGHT HOLDER ASSEMBLY	001197.73.01
LIGHT BULB 6V	000305.50.00
DRIVE MOTOR 110V	001479.70.01
DRIVE MOTOR 220V	001479.70.00
DRIVE MOTOR W/CHASSIS 110V	001508.71.01
DRIVE MOTOR W/CHASSIS 220V	NO LONGER AVAILABLE
MOTOR BRUSHES	006512.50.00
3A BUTTON HOLE FOOT 1130/1120	001250.70.00
CORD REEL OLD STYLE 110V	000165.70.03
CORD REEL OLD STYLE 220V	NO LONGER AVAILABLE
CORD REEL NEW STYLE 110V	002057.71.07
CORD REEL NEW STYLE 220V	002057.70.04
FOOT CONTROL COMPL.	001320.72.13
FOOT CONTROL RESISTOR HOUSING	001319.70.00
STITCH LENGTH STEP-MOTOR COMPL.	000182.71.01
STITCH LENGTH STEP MOTOR ONLY	NO LONGER AVAILABLE
STITCH WIDTH STEP MOTOR COMPL.	001028.70.00
STITCH WIDTH STEP MOTOR ONLY	001478.70.00
BASTING MAGNET COMPL.	001122.72.00
BEVEL GEAR SET	002834.70.00
FEED DOGS	000027.52.00
LIGHT SWITCH ONLY	001148.50.00
NEEDLE PLATE	001633.72.01
HOOK	030206.52.00
BOBBINCASE	001534.73.03
BOBBIN	001536.72.00
RACE COVER	001538.72.00

**BERNINA MODEL 1130LE**

L-PRINT 110V POWER SUPPLY	REPAIR ONLY
L-PRINT 220V POWER SUPPLY	REPAIR ONLY
S-PRINT	REPAIR ONLY
A-PRINT DISPLAY PRINT	REPAIR ONLY
FRONT COVER BLUE	NO LONGER AVAILABLE
R-PRINT MOTOR CONTROL (ORANGE LABEL)	000564.70.00
R-PRINT MOTOR CONTROL (YELLOW LABEL)	000345.71.00
P-PRINT POSITION PRINT	000290.71.00
RET-PRINT, RETURN PRINT	000442.70.00
MOTOR 110V	001479.70.01
MOTOR 220V	001479.70.00
MOTOR W/CHASSIS 110V	001508.71.01
MOTOR W/CHASSIS 220V	NO LONGER AVAILABLE
MOTOR BRUSHES	006512.50.00
BOBBIN WINDER COMPL.	001180.70.00
LIGHT HOLDER ASSEMBLY	001197.73.01
LIGHT BULB 6V	000305.50.00
3A BUTTON HOLE FOOT	031250.70.03
CORD REEL 110V	002057.71.07
CORD REEL 220V	002057.70.04
FOOT CONTROL COMPLETE	001320.72.13
FOOT CONTROL RESISTOR HOUSING	001319.70.00
STITCH LENGTH STEP MOTOR COMPL.	000182.71.01
STITCH LENGTH STEP MOTOR ONLY	NO LONGER AVAILABLE
STITCH WIDTH STEP MOTOR COMPL.	001028.70.00
STITCH WIDTH STEP MOTOR ONLY	001478.70.00
BASTING MAGNET COMPL.	001122.72.00
BEVEL GEAR SET	002834.70.00
FEED DOGS	000027.52.00
LIGHT SWITCH ONLY	001148.50.00
NEEDLE PLATE	001633.72.01
HOOK	030206.52.00
BOBBINCASE	001534.73.03
BOBBIN	001536.72.00
RACE COVER	001538.72.00



**BERNINA MODEL 1130S**

L-PRINT 110V POWER SUPPLY	REPAIR ONLY
L-PRINT 220V POWER SUPPLY	REPAIR ONLY
S-PRINT	REPAIR ONLY
A-PRINT DISPLAY PRINT	REPAIR ONLY
FRONT COVER BROWN	NO LONGER AVAILABLE
R-PRINT MOTOR CONTROL (ORANGE LABEL)	000564.70.00
R-PRINT MOTOR CONTROL (YELLOW LABEL)	000345.71.00
P-PRINT POSITION PRINT	000290.71.00
RET-PRINT, RETURN PRINT	000442.70.00
MOTOR 110V	001479.70.01
MOTOR 220V	001479.70.00
MOTOR W/CHASSIS 110V	001508.71.01
MOTOR W/CHASSIS 220V	NO LONGER AVAILABLE
MOTOR BRUSHES	006512.50.00
BOBBIN WINDER COMPL.	001180.70.00
LIGHT HOLDER ASSEMBLY	001197.73.01
LIGHT BULB 6V	000305.50.00
3A BUTTON HOLE FOOT	031250.70.03
CORD REEL 110V	002057.71.07
CORD REEL 220V	002057.70.04
FOOT CONTROL COMPLETE	001320.72.13
FOOT CONTROL RESISTOR HOUSING	001319.70.00
STITCH LENGTH STEP MOTOR COMPL.	000182.71.01
STITCH LENGTH STEP MOTOR ONLY	NO LONGER AVAILABLE
STITCH WIDTH STEP MOTOR COMPL.	001028.70.00
STITCH WIDTH STEP MOTOR ONLY	001478.70.00
BASTING MAGNET COMPL.	001122.72.00
BEVEL GEAR SET	002834.70.00
FEED DOGS	000027.52.00
NEEDLE PLATE	001633.72.01
LIGHT SWITCH ONLY	001148.50.00
HOOK	030206.52.00
BOBBINCASE	001534.73.03
BOBBIN	001536.72.00
RACE COVER	001538.72.00

**BERNINA MODEL 1230**

L-PRINT 110V POWER SUPPLY	REPAIR ONLY
L-PRINT 220V POWER SUPPLY	REPAIR ONLY
R-PRINT MOTOR CONTROL (ORANGE LABEL)	000564.70.00
R-PRINT MOTOR CONTROL (YELLOW LABEL)	000345.71.00
S-PRINT NEW STYLE	REPAIR ONLY
S-PRINT OLD STYLE	REPAIR ONLY
A-PRINT DISPLAY PRINT	REPAIR ONLY
P-PRINT POSITION PRINT	000290.71.00
RET PRINT RETURN PRINT	000442.70.00
BASTING MAGNET COMPL.	001122.72.00
FRONT PANEL NEW STYLE	000549.70.00
FRONT PANEL OLD STYLE	000461.70.00
SERVICE PANEL	NO LONGER AVAILABLE
MOTOR 110V	001479.70.01
MOTOR 220V	001479.70.00
MOTOR W/CHASSIS 110V	001508.71.01
MOTOR W/CHASSIS 220V	NO LONGER AVAILABLE
MOTOR BRUSHES	006512.50.00
POWER CORD 110V	002057.71.07
POWER CORD 220V	002057.70.04
3A BUTTON HOLE FOOT	031250.70.03
LIGHT HOLDER ASSEMBLY	001197.73.01
LIGHT BULB 6V	000305.50.00
BOBBIN WINDER COMPLETE	001180.71.03
FOOT CONTROL COMPLETE	001320.72.13
FOOT CONTROL RESISTOR HOUSING	001319.70.00
FOOT CONTROL RETRACTABLE CORD	001267.72.04
STITCH LENGTH STEP MOTOR COMPL.	000182.71.01
STITCH LENGTH STEP MOTOR ONLY	NO LONGER AVAILABLE
STITCH WIDTH STEP MOTOR COMPL.	001028.70.00
BEVEL GEAR SET	002834.70.00
FEED DOGS	000027.52.00
NEEDLE PLATE	001633.72.01
LIGHT SWITCH ONLY	001148.50.00
HOOK	030206.52.00
BOBBINCASE	001534.73.03
BOBBIN	001536.72.00
RACE COVER	001538.72.00

**BERNINA MODEL 1260**

L-PRINT 110V POWER SUPPLY	REPAIR ONLY
L-PRINT 220V POWER SUPPLY	REPAIR ONLY
R-PRINT MOTOR CONTROL	000564.70.00
S-PRINT	NO LONGER AVAILABLE
A-PRINT DISPLAY PRINT	NO LONGER AVAILABLE
P-PRINT POSITION PRINT	000290.71.00
RET PRINT RETURN PRINT	000442.70.00
BASTING MAGNET COMPL.	001122.72.00
FRONT PANEL	006986.71.01
BLOCK LETTER PLATE	006979.71.03
SCRIPT LETTER PLATE	006979.71.02
MOTOR 110V	001479.70.01
MOTOR 220V	001479.70.00
MOTOR W/CHASSIS 110V	001508.71.01
MOTOR W/CHASSIS 220V	NO LONGER AVAILABLE
MOTOR BRUSHES	006512.50.00
POWER CORD 110V	001799.72.03
POWER CORD 220V	NO LONGER AVAILABLE
3A BUTTON HOLE FOOT	031250.70.03
LIGHT HOLDER ASSEMBLY	001197.73.01
LIGHT BULB 6V	000305.50.00
BOBBIN WINDER COMPLETE W/CUTTER	001180.71.03
FOOT CONTROL COMPLETE	002641.70.12
STITCH LENGTH STEP MOTOR COMPL.	000182.71.01
STITCH LENGTH STEP MOTOR ONLY	NO LONGER AVAILABLE
STITCH WIDTH STEP MOTOR COMPL.	000725.70.00
BEVEL GEAR SET	002834.70.00
FEED DOGS	000027.52.00
NEEDLE PLATE	001633.72.01
LIGHT SWITCH ONLY	001148.50.00
HOOK	030206.52.00
BOBBINCASE	001534.73.03
BOBBIN	001536.72.00
RACE COVER	001538.72.00

**BERNINA MODEL 1530**

L-PRINT 110V (POWER SUPPLY)	REPAIR ONLY
L-PRINT 220V (POWER SUPPLY)	REPAIR ONLY
FRONT PANEL COMPLETE A/S PRINTS	007513.30.00
R-PRINT 1530 (MOTOR CONT)	000564.70.00
P-PRINT (POSITION IND.)	000290.71.00
RET-PRINT (RETURN PRINT)	000442.70.00
MOTOR ONLY 110V	001479.70.01
MOTOR ONLY 220V	001479.70.00
MOTOR W/CHASSIS 110V	001508.71.01
MOTOR W/CHASSIS 220V	NO LONGER AVAILABLE
MOTOR BRUSHES	006512.50.00
BOBBIN WINDER COMPLETE	001180.70.02
BOBBIN WINDER W/CUTTER N/S	001180.71.03
LIGHT HOLDER ASSEMBLY	001197.73.01
LIGHT BULB 6V	000305.50.00
3A BUTTON HOLE FOOT	031250.70.03
CORD REEL 110V	002057.71.07
CORD REEL 220V	002057.70.04
FOOT CONTROL COMPLETE	001320.72.13
FT CONTROL RESISTOR HOUSING	001319.70.00
ST LENGTH STEP MOTOR COMPL	000182.71.01
ST LENGTH STEP MOTOR ONLY	NO LONGER AVAILABLE
ST WIDTH STEP MOTOR COMPL	001028.70.00
ST WIDTH STEP MOTOR ONLY	001478.70.00
BASTING MAGNET COMPL	001122.72.00
BEVEL GEAR SET	002834.70.00
FEED DOGS	000027.52.00
NEEDLE PLATE	001633.72.01
LIGHT SWITCH ONLY	001148.50.00
HOOK	030206.52.00
BOBBINCASE	001534.73.03
BOBBIN	001536.72.00
RACE COVER	001538.72.00

## BERNINA MODEL 1630

L-PRINT 110V	REPAIR ONLY
L-PRINT 220V	REPAIR ONLY
A/S PRINT ONLY (VERSION 3)	007537.66.01
LCD ONLY	007514.70.00
P PRINT	000290.71.01
R PRINT	000564.70.00
RET PRINT	000442.70.01
FRONT CONTROL PANEL	007501.50.02
MOTOR ONLY 110V	001479.70.01
MOTOR ONLY 220V	001479.70.00
MOTOR W/CHASSIS 110V	001508.71.01
MOTOR W/CHASSIS 220V	NO LONGER AVAILABLE
MOTOR BRUSHES	006512.50.00
BOBBIN WINDER COMPLETE	001180.71.04
LIGHT HOLDER ASSEMBLY	001197.73.01
LIGHT BULB 6V	000305.50.00
3C BUTTON HOLE FOOT	031250.70.04
CORD REEL 110V	002057.71.07
CORD REEL 220V	002057.70.04
FOOT CONTROL COMPLETE	001320.72.13
FOOT CONTROL RESISTOR HOUSING	001319.70.00
BASTING MAGNET COMPLETE	001122.72.00
SL STEP MOTOR COMPL	000182.71.02
SB STEP MOTOR COMPL	000725.70.01
SM STEP MOTOR COMPL	006031.70.00
LOW BOBBIN MONITOR	003062.70.00
DATA LINK CABLE	NO LONGER AVAILABLE
EXTERNAL PORT W/CABLE	NO LONGER AVAILABLE
BERNINA DESIGNER SOFTWARE #2 (COMPLETE)	NO LONGER AVAILABLE
BERNINA DESIGNER SOFTWARE UPGRADE ONLY	006208.70.00
CABLE FROM PC TO MACHINE	NO LONGER AVAILABLE
FEED DOGS	006035.54.00
LIGHT SWITCH ONLY	001148.50.00
NEEDLE PLATE	006036.70.01
HOOK GIB (BLACK PLASTIC PC)	006930.51.00
SHUTTLE SPRING	006078.51.00
HOOK CPL	006076.72.00
BOBBIN	006026.52.00
BOBBINCASE	006068.72.01
BLANK MEMORY KEY	002924.70.00
HELP KEY	002923.70.01
CHRISTMAS KEY	003061.70.00
CELEBRATION KEY	003248.70.00
SPORTS/CARTOON KEY	003256.70.00
QUILTING KEY	003280.70.00
HEARTS AND FLOWERS KEY	004319.70.00

**BERNINA activa 125/135/135S/145/145S**

L-PRINT (125/135/145)	030744.71.01
L-PRINT (135S, 145S ONLY)	030944.71.00
L-PRINT CABLE(125/125S/135/145)	000659.70.26
L-PRINT CABLE (135S, 145S ONLY)	000659.70.44
S-PRINT-ALL	015500.34.01
SERVICE PANEL	030510.50.00
BUTTONHOLE SENSOR	015978.70.01
FLOURESCENT LIGHT	030753.70.00
LIGHT HOLDER ASSEMBLY	004998.70.00
LIGHT BULB	007535.50.00
MAIN MOTOR	007884.71.01
MOTOR CABLE	003853.71.01
BOBBIN WINDER COMPLETE	031153.70.00
POWER CORD	007928.71.00
POWER CORD GB (135S, 145S ONLY)	007928.70.01
POWER CORD AUSTRALIA (135S, 145S ONLY)	007928.71.02
POWER CORD EUROPE (135S, 145S ONLY)	007928.71.03
FOOT CONTROL COMPLETE	008926.71.00
FOOT CONTROL CABLE SUPPORT	007987.52.01
SLIDE PIECE WITH CABLE	004944.71.00
STITCH WIDTH STEP MOTOR ONLY	007835.50.05
STITCH LENGTH STEP MOTOR COMPLETE	030311.71.00
FREE HAND SYSTEM COMPLETE	030146.70.00
METAL CB HOOK	030206.52.00
SSU (OPTIONAL)	030828.70.00
HORIZONTAL SPOOL PIN	004902.51.00
VERTICAL SPOOL PIN	030335.50.00
BACK COVER WITH HANDLE	004892.72.10
TENSION UNIT	004941.75.00
MOTOR BELT	007903.50.02
TIMING BELT	007903.50.22
NEEDLE PLATE	030202.50.00
BOBBINCASE	001534.73.03
BOBBIN	001536.72.00
RACE COVER	001538.72.00

**BERNINA activa/virtuosa 130/140**

L-PRINT	008832.79.00
S-PRINT 130/140	015200.71.02
S-PRINT 131/140 PATCHWORK	015200.71.04
SERVICE PANEL 130/140	007935.50.00
LCD BACK LIGHT	000774.50.01
P-PRINT	007756.70.00
5-POLE YELLOW CABLE	000659.71.12
5-POLE BLUE CABLE	000659.71.13
RETURN PRINT	007986.70.00
FOOT CONTROL RECEPTACLE	000659.70.10
BUTTONHOLE SENSOR (131/140P)	008835.71.00
FLOURESCENT LIGHT-COMPLETE	004992.73.00
FLOURESCENT LIGHT-BULB AND BOARD ONLY	030343.75.00
LIGHT HOLDER ASSEMBLY	007538.71.00
LIGHT BULB	007535.50.00
MAIN MOTOR (OLD STYLE) SUBSTITUTE WITH NEW STYLE*	NO LONGER AVAILABLE
MAIN MOTOR (NEW STYLE) *	007884.72.02
MOTOR BELT (NEW STYLE) *	007903.50.06
MOTOR FAN (NEW STYLE) *	030435.52.00
MOTOR CABLE	003853.70.00
BOBBIN WINDER COMPLETE	031153.70.00
POWER CORD USA	007928.71.00
POWER CORD GB, UK	007928.70.01
POWER CORD AUSTRALIA	007928.71.02
POWER CORD EUROPE	007928.71.03
FOOT CONTROL COMPLETE	007988.72.01
FOOT CONTROL CABLE SET	008295.70.00
FOOT CONTROL CABLE SUPPORT	007987.52.01
STITCH WIDTH STEP MOTOR COMPLETE	008220.71.00
STITCH LENGTH STEP MOTOR COMPLETE	007825.70.00
METAL CB HOOK	030206.52.00
NEEDLE BAR	008208.71.01
FREE HAND SYSTEM COMPLETE	008610.71.00
TAKE UP LEVER WITH PLATE	008284.73.00
FRONT COVER 130	007999.71.01
FRONT COVER 131	007999.71.08
FRONT COVER 140	007999.71.02
FRONT COVER 140 PATCHWORK	007999.71.07
TENSION UNIT	007950.74.00
MOTOR BELT (OLD STYLE)	007903.50.00
TIMING BELT	007903.50.22
NEEDLE PLATE	007874.71.00
BOBBINCASE	001534.73.03
BOBBIN	001536.72.00
RACE COVER	001538.72.00

\* NOTE: IF REPLACING THE OLD STYLE MOTOR WITH NEW STYLE THE MOTOR BELT, AND FAN MUST ALSO BE REPLACED WITH THE NEW STYLE

**BERNINA activa/virtuosa 150/160/163**

L-PRINT	008832.79.00
S-PRINT 150/160	015200.71.01
S-PRINT 160 WITH CPS PORT ON THE SIDE	015200.73.07
S-PRINT 163	015200.72.11
SERVICE PANEL 150/160	008434.50.00
LCD BACK LIGHT	000774.50.01
P-PRINT	007756.70.00
5-POLE YELLOW CABLE	000659.71.12
5-POLE BLUE CABLE	000659.71.13
RETURN PRINT	007986.70.00
FOOT CONTROL RECEPTACLE	000659.70.10
BUTTONHOLE SENSOR (160 PLUS, 150Q, 163)	008835.71.00
FLOURESCENT LIGHT-COMplete	004992.73.00
FLOURESCENT LIGHT-BULB AND BOARD ONLY	030343.75.00
LIGHT HOLDER ASSEMBLY	007538.71.00
LIGHT BULB	007535.50.00
MAIN MOTOR (OLD STYLE) SUBSTITUTE WITH NEW STYLE*	NO LONGER AVAILABLE
MAIN MOTOR (NEW STYLE) *	007884.72.02
MOTOR BELT (NEW STYLE) *	007903.50.06
MOTOR FAN (NEW STYLE) *	030435.52.00
MOTOR CABLE	003853.70.00
BOBBIN WINDER COMPLETE	031153.70.00
POWER CORD USA	007928.71.00
POWER CORD GB, UK	007928.70.01
POWER CORD AUSTRALIA	007928.71.02
POWER CORD EUROPE	007928.71.03
FOOT CONTROL COMPLETE	007988.72.01
FOOT CONTROL CABLE SET	008295.70.00
FOOT CONTROL CABLE SUPPORT	007987.52.01
STITCH WIDTH STEP MOTOR COMPLETE	008220.71.00
STITCH LENGTH STEP MOTOR COMPLETE	007825.70.00
METAL CB HOOK	030206.52.00
NEEDLE BAR	008208.71.01
FREE HAND SYSTEM COMPLETE	008610.71.00
TAKE UP LEVER WITH PLATE	008284.72.00
FRONT COVER 150	007776.71.01
FRONT COVER 150QE	004823.71.01
FRONT COVER 160 HOME ART	004823.70.05
FRONT COVER 160 PLUS	004823.72.02
FRONT COVER 163-WITH CPS PORT ON SIDE	004823.71.12
STITCH SELECTION CARD 150	007797.50.02
STITCH SELECTION CARD 150QE	007797.50.06
STITCH SELECTION CARD (CPS) 150QE-CLEAR	007797.51.07
STITCH SELECTION CARD 160	007797.50.00
STITCH SELECTION CARD (CPS) 160-CLEAR	007797.50.01

\* NOTE: IF REPLACING THE OLD STYLE MOTOR WITH NEW STYLE THE MOTOR BELT, AND FAN MUST ALSO BE REPLACED WITH THE NEW STYLE

CONTINUED ON NEXT PAGE



**BERNINA activa/virtuosa 150/160/163 (CONTINUED)**

STITCH SELECTION CARD 163	007797.50.11
TENSION UNIT	007950.74.00
MOTOR BELT	007903.50.00
TIMING BELT	007903.50.22
NEEDLE PLATE	007874.71.00
BOBBINCASE	001534.73.03
BOBBIN	001536.72.00
RACE COVER	001538.72.00

**BERNINA virtuosa 153 / 153 ALEX ANDERSON**

L-PRINT	008832.79.00
S-PRINT	015200.72.10
SERVICE PANEL	008434.50.00
LCD BACK LIGHT	000774.50.01
P-PRINT	007756.70.00
5-POLE YELLOW CABLE	000659.71.12
5-POLE BLUE CABLE	000659.71.13
RETURN PRINT	007986.70.00
FOOT CONTROL RECEPTACLE	000659.70.10
BUTTONHOLE SENSOR	008835.71.00
FLOURESCENT LIGHT-COMPLETE	004992.73.00
FLOURESCENT LIGHT-BULB AND BOARD ONLY	030343.75.00
LIGHT HOLDER ASSEMBLY	007538.71.00
LIGHT BULB	007535.50.00
MAIN MOTOR (OLD STYLE) SUBSTITUTE WITH NEW STYLE*	NO LONGER AVAILABLE
MAIN MOTOR (NEW STYLE) *	007884.72.02
MOTOR BELT (NEW STYLE) *	007903.50.06
MOTOR FAN (NEW STYLE) *	030435.52.00
MOTOR CABLE	003853.70.00
BOBBIN WINDER COMPLETE	031153.70.00
POWER CORD	007928.71.00
POWER CORD GB, UK	007928.70.01
POWER CORD AUSTRALIA	007928.71.02
POWER CORD EUROPE	007928.71.03
FOOT CONTROL COMPLETE	007988.72.01
FOOT CONTROL CABLE SET	008295.70.00
FOOT CONTROL CABLE SUPPORT	007987.52.01
STITCH WIDTH STEP MOTOR COMPLETE	008220.71.00
STITCH LENGTH STEP MOTOR COMPLETE	007825.70.00
METAL CB HOOK	030206.52.00
NEEDLE BAR	008208.71.01
FREE HAND SYSTEM COMPLETE	008610.71.00
TAKE UP LEVER WITH PLATE	008284.73.00
FRONT COVER 153	004823.72.11
FRONT COVER 153 ALEX ANDERSON	004823.73.52
STITCH SELECTION CARD 153	007797.50.10
TENSION UNIT	007950.74.00
MOTOR BELT	007903.50.00
TIMING BELT	007903.50.22
NEEDLE PLATE	007874.71.00
BOBBINCASE	001534.73.03
BOBBIN	001536.72.00
RACE COVER	001538.72.00

\* NOTE: IF REPLACING THE OLD STYLE MOTOR WITH NEW STYLE THE MOTOR BELT, AND FAN MUST ALSO BE REPLACED WITH THE NEW STYLE

**BERNINA virtuosa 155**

L-PRINT	008832.79.00
S-PRINT	015200.74.12
SERVICE PANEL	008434.50.00
LCD BACK LIGHT	000774.50.01
P-PRINT	007756.70.00
5-POLE YELLOW CABLE	000659.71.12
5-POLE BLUE CABLE	000659.71.13
RETURN PRINT	007986.70.00
FOOT CONTROL RECEPTACLE	000659.70.10
BUTTONHOLE SENSOR	008835.71.00
FLOURESCENT LIGHT-COMplete	004992.73.00
FLOURESCENT LIGHT-BULB AND BOARD ONLY	030343.75.00
LIGHT HOLDER ASSEMBLY	007538.71.00
LIGHT BULB	007535.50.00
MAIN MOTOR (OLD STYLE) SUBSTITUTE WITH NEW STYLE*	NO LONGER AVAILABLE
MAIN MOTOR (NEW STYLE) *	007884.72.02
MOTOR BELT (NEW STYLE) *	007903.50.06
MOTOR FAN (NEW STYLE) *	030435.52.00
MOTOR CABLE	003853.70.00
BOBBIN WINDER COMPLETE	031153.70.00
POWER CORD	007928.71.00
POWER CORD GB, UK	007928.70.01
POWER CORD AUSTRALIA	007928.71.02
POWER CORD EUROPE	007928.71.03
FOOT CONTROL COMPLETE	007988.72.01
FOOT CONTROL CABLE SET	008295.70.00
FOOT CONTROL CABLE SUPPORT	007987.52.01
STITCH WIDTH STEP MOTOR COMPLETE	008220.71.00
STITCH LENGTH STEP MOTOR COMPLETE	007825.70.00
METAL CB HOOK	030206.52.00
NEEDLE BAR	008208.71.01
FREE HAND SYSTEM COMPLETE	008610.71.00
TAKE UP LEVER WITH PLATE	008284.73.00
FRONT COVER 155	004823.73.14
STITCH SELECTION CARD 155 / GARMENT / FASHION	007797.51.20
STITCH SELECTION CARD 155 / HOME DEC	007797.51.21
STITCH SELECTION CARD 155 / CPS TRANSPARENT	007797.51.24
STITCH SELECTION CARD 155 / CRAFT	007797.51.23
STITCH SELECTION CARD 155 / QUILTING	007797.51.22
TENSION UNIT	007950.74.00
MOTOR BELT	007903.50.00
TIMING BELT	007903.50.22
NEEDLE PLATE	007874.71.00
BOBBINCASE	001534.73.03
BOBBIN	001536.72.00
RACE COVER	001538.72.00

\* NOTE: IF REPLACING THE OLD STYLE MOTOR WITH NEW STYLE THE MOTOR BELT, AND FAN MUST ALSO BE REPLACED WITH THE NEW STYLE

**BERNINA artista 165 / 170**

L-PRINT	008832.79.00
S-PRINT	004519.76.01
WASHERS FOR S-PRINT (NEED 4)	031183.50.00
P-PRINT	007756.70.00
LCD SCREEN	008776.50.00
TOUCH SCREEN	008775.52.00
5-POLE YELLOW CABLE	000659.71.12
5-POLE BLUE CABLE	000659.71.13
2-POLE YELLOW CABLE	000659.71.18
ADAPTER PRINT	004531.73.00
RETURN PRINT	008770.70.00
BUTTONHOLE SENSOR	008835.71.00
FLOURESCENT LIGHT-COMplete	004992.73.00
FLOURESCENT LIGHT-BULB AND BOARD ONLY	030343.75.00
LIGHT HOLDER ASSEMBLY	007538.72.01
LIGHT BULB	007535.50.00
MAIN MOTOR (OLD STYLE) SUBSTITUTE WITH NEW STYLE*	NO LONGER AVAILABLE
MAIN MOTOR (NEW STYLE) *	007884.72.02
MOTOR BELT (NEW STYLE) *	007903.50.06
MOTOR FAN (NEW STYLE) *	030435.52.00
MOTOR CABLE	003853.70.00
MOTOR BELT	007903.50.06
TIMING BELT	007903.50.22
BOBBIN WINDER COMPLETE	031153.70.00
POWER CORD	007928.71.00
POWER CORD GB, UK	007928.70.01
POWER CORD AUSTRALIA	007928.71.02
POWER CORD EUROPE	007928.71.03
FOOT CONTROL COMPLETE	007988.72.01
FOOT CONTROL CABLE SET	008295.70.00
FOOT CONTROL CABLE SUPPORT	007987.52.01
STITCH WIDTH STEP MOTOR COMPLETE	000321.51.04
STITCH LENGTH STEP MOTOR COMPLETE	007825.71.01
METAL CB HOOK	030206.52.00
NEEDLE BAR	008208.70.02
PRESSER FOOT LIFTER SWITCH	008767.72.01
TAKE UP LEVER SET	008882.72.00
PRESSER FOOT PRESSURE DEVICE COMPLETE	007575.70.01
FEED DOG UPDATE KIT	030225.70.00
UPPER TENSION ASSEMBLY	007950.74.01
METAL BALANCE CAM	030675.50.00
METAL BALANCE CAM SCREW	007886.50.36
METAL BALANCE CAM SPRING	256292.03.++
LONG SCREW FOR MULTIPLE THREAD STAND	007752.50.50
PLASTIC WASHER FOR MULTIPLE THREAD STAND	008982.50.00

\* NOTE: IF REPLACING THE OLD STYLE MOTOR WITH NEW STYLE THE MOTOR BELT AND FAN MUST ALSO BE REPLACED WITH THE NEW STYLE  
CONTINUED ON NEXT PAGE

**BERNINA artista 165 / 170 (CONTINUED)**

STAINLESS STEEL FREE ARM PLATE	007757.50.00
FRONT COVER 165	008781.51.05
FRONT COVER 170	008781.50.02
NEEDLE PLATE	007874.71.00
BOBBINCASE	001534.73.03
BOBBIN	001536.72.00
RACE COVER	001538.72.00

**BERNINA artista 180 / 185**

L-PRINT	008832.79.00
L-PRINT (185 ONLY)	008832.79.01
S-PRINT 180	004519.34.00
S-PRINT 185	004519.77.03
WASHERS FOR S-PRINT (NEED 4)	031183.50.00
P-PRINT 180	007756.70.00
P-PRINT 185	030500.72.00
BOBBIN MONITOR	002019.72.01
BOBBIN MONITOR CABLE	000640.72.01
THREADER SENSOR PRINT 185 ONLY	030651.70.00
UPPER THREAD CLAMPING SOLENOID 185 ONLY	031949.70.00
UPPER THREAD CLAMPING SOLENOID 185 -CABLE ONLY	000659.71.41
LCD SCREEN	008776.50.00
TOUCH SCREEN	008775.52.00
5-POLE YELLOW CABLE	000659.71.12
5-POLE BLUE CABLE	000659.71.13
2-POLE YELLOW CABLE	000659.71.18
COMBINED CABLE SET 185 ONLY	031626.70.00
ADAPTER PRINT	004531.73.00
RETURN PRINT 180	008770.70.00
RETURN PRINT 185	008770.70.01
BUTTONHOLE SENSOR	008835.71.00
FEED DOG POSITION SWITCH 185 ONLY	008767.72.02
FLOURESCENT LIGHT-COMPLETE	004992.73.00
FLOURESCENT LIGHT-BULB AND BOARD ONLY	030343.75.00
LIGHT HOLDER ASSEMBLY	007538.72.01
LIGHT BULB	007535.50.00
MAIN MOTOR 180 (OLD STYLE) SUBSTITUTE WITH NEW STYLE*	NO LONGER AVAILABLE
MAIN MOTOR 180/185 (NEW STYLE) *	007884.72.02
MOTOR BELT 180/185 (NEW STYLE) *	007903.50.06
MOTOR FAN 180/185 (NEW STYLE) *	030435.52.00
MOTOR CABLE	003853.70.00
TIMING BELT	007903.50.22
MOTOR BELT	007903.50.06
HOOK DRIVE BELT	002397.51.00
BOBBIN WINDER COMPLETE	031153.70.00
POWER CORD	007928.71.00
POWER CORD GB, UK	007928.70.01
POWER CORD AUSTRALIA	007928.71.02
POWER CORD EUROPE	007928.71.03
FOOT CONTROL COMPLETE	007988.72.01
FOOT CONTROL CABLE SET	008295.70.00
FOOT CONTROL CABLE SUPPORT	007987.52.01
STITCH WIDTH STEP MOTOR COMPLETE	000321.51.04
STITCH LENGTH STEP MOTOR COMPLETE	007825.71.01
SIDWAYS MOTION STEP MOTOR	008438.70.00
TOP TENSION STEP MOTOR	007835.51.04
NEEDLE PLATE	007929.71.00

\* NOTE: IF REPLACING THE OLD STYLE MOTOR WITH NEW STYLE THE MOTOR BELT, AND FAN MUST ALSO BE REPLACED WITH THE NEW STYLE  
CONTINUED ON NEXT PAGE

**BERNINA artista 180 / 185 (CONTINUED)**

HOOK COMPLETE 180	006076.72.00
HOOK GIB 180	006930.51.00
HOOK COMPLETE 185	006076.72.01
HOOK GIB 185	030733.50.00
NEEDLE BAR	008208.71.03
PRESSER FOOT LIFTER SWITCH	008767.72.01
TAKE UP LEVER	004819.70.02
TAKE UP LEVER LINK	008202.50.00
PRESSER FOOT PRESSURE DEVICE COMPLETE	007575.70.00
UPPER TENSION ASSEMBLY 180	008750.74.01
UPPER TENSION ASSEMBLY 185	008750.78.03
METAL BALANCE CAM	030675.50.00
METAL BALANCE CAM SCREW	007886.50.36
METAL BALANCE CAM SPRING	256292.03.++
LONG SCREW FOR MULTIPLE THREAD STAND	007752.50.50
PLASTIC WASHER FOR MULTIPLE THREAD STAND	008982.50.00
STAINLESS STEEL FREE ARM PLATE	007757.50.00
FRONT COVER 180	008781.50.01
FRONT COVER 185	008781.51.06
BOBBINCASE	006068.72.01
BOBBIN	006026.52.00

**BERNINA artista 200**

L-PRINT	008832.79.00
MAIN PRINT 64MB (Not BSR Compatible)	NO LONGER AVAILABLE
MAIN PRINT 64MB (BSR Compatible)	031048.72.01
I/O PRINT	030470.71.00
WHITE CABLE FROM I/O TO MAIN PRINT	023034.50.00
BLACK CABLE FROM LCD TO MAIN PRINT	023035.50.00
P-PRINT	030500.72.00
BOBBIN MONITOR	030861.71.00
BOBBIN MONITOR CABLE	000659.70.36
UPPER THREAD CLAMPING SOLENOID	031949.70.01
UPPER THREAD CLAMPING SOLENOID CABLE ONLY	000659.72.39
SPEAKER	030659.50.00
THREADER SENSOR PRINT	030651.70.00
LCD SCREEN	030466.51.00
TOUCH SCREEN	030508.51.00
BACKGROUND LIGHT PRINT	030645.71.00
LCD COVER	030465.50.00
LCD TOUCH SCREEN COMPLETE	030465.70.00
COMBINED CABLE SET	031626.70.00
RETURN PRINT	022090.71.00
BUTTONHOLE SENSOR	008835.72.01
FEED DOG POSITION SWITCH	008767.72.04
FLOURESCENT LIGHT-COMplete	004992.73.00
FLOURESCENT LIGHT-BULB AND BOARD ONLY	030343.75.00
LIGHT HOLDER ASSEMBLY	007538.72.01
MAIN MOTOR	007884.72.02
MOTOR CABLE	003853.70.00
TIMING BELT	007903.50.22
MOTOR BELT	007903.50.00
HOOK DRIVE BELT	002397.51.00
BOBBIN WINDER COMPLETE	031153.70.01
POWER CORD	007928.71.00
POWER CORD GB, UK	007928.70.01
POWER CORD AUSTRALIA	007928.71.02
POWER CORD EUROPE	007928.71.03
FOOT CONTROL COMPLETE	007988.72.01
FOOT CONTROL CABLE SET	008295.70.00
FOOT CONTROL CABLE SUPPORT	007987.52.01
STITCH WIDTH STEP MOTOR COMPLETE	000321.51.04
STITCH LENGTH STEP MOTOR COMPLETE	007825.71.01
SIDWAYS MOTION STEP MOTOR	008438.70.00
TOP TENSION STEP MOTOR	007835.51.04
HOOK COMPLETE	006076.72.01
HOOK GIB	030733.50.00
HOOK THREAD GUIDE BLADE	030684.50.00
NEEDLE BAR	008208.71.03
PRESSER FOOT LIFTER SWITCH	008767.72.03
PRESSER FOOT PRESSURE DEVICE COMPLETE	007575.70.04
NEEDLE PLATE	007929.71.00

CONTINUED ON NEXT PAGE



**BERNINA artista 200 (CONTINUED)**

UPPER TENSION ASSEMBLY	008750.78.03
LONG SCREW FOR MULTIPLE THREAD STAND	007752.50.50
PLASTIC WASHER FOR MULTIPLE THREAD STAND	008982.50.00
STAINLESS STEEL FREE ARM PLATE	007757.50.00
FRONT COVER	030495.50.00
BSR UPDATE KIT	032049.71.00
BOBBINCASE	006068.75.10
BOBBIN	006026.52.00

**BERNINA activa 210 / 220**

L-PRINT	030944.71.00
L-PRINT CABLE	000659.70.44
S-PRINT 210-220	015500.75.05
FLOURESCENT LIGHT (OPTIONAL 210/220)	030753.70.00
LIGHT HOLDER ASSEMBLY	004998.70.00
LIGHT BULB	007535.50.00
MAIN MOTOR	007884.71.01
MOTOR CABLE	003853.71.01
MOTOR FAN	030435.52.00
BOBBIN WINDER COMPLETE	031153.70.00
POWER CORD	007928.71.00
POWER CORD GB, UK	007928.70.01
POWER CORD AUSTRALIA	007928.71.02
POWER CORD EUROPE	007928.71.03
FOOT CONTROL COMPLETE	008926.71.00
FOOT CONTROL CABLE SET	004944.71.00
FOOT CONTROL CABLE SUPPORT	007987.52.01
STITCH WIDTH STEP MOTOR	007835.50.05
STITCH LENGTH STEP MOTOR	030311.71.00
METAL CB HOOK	030206.52.00
SSU (OPTIONAL)	030828.70.00
FREE HAND SYSTEM COMPLETE (OPTIONAL 210/220)	030146.70.00
TENSION UNIT	004941.75.00
MOTOR BELT	007903.50.02
TIMING BELT	007903.50.22
STITCH SELECTION CARD 220	031607.50.00
BACK COVER WITH HANDLE	004892.71.20
NEEDLE PLATE	031050.70.01
BOBBINCASE	001534.73.03
BOBBIN	001536.72.00
RACE COVER	001538.72.00

**BERNINA activa 230PE / 240**

L-PRINT	030944.71.00
L-PRINT CABLE	000659.70.44
S-PRINT	015500.74.04
BUTTONHOLE SENSOR	015978.70.01
FLOURESCENT LIGHT (OPTIONAL 230PE)	030753.70.00
LIGHT HOLDER ASSEMBLY	004998.70.00
LIGHT BULB (230PE)	007535.50.00
MAIN MOTOR	007884.71.01
MOTOR CABLE	003853.71.01
MOTOR FAN	030435.52.00
BOBBIN WINDER COMPLETE	031153.70.00
POWER CORD	007928.71.00
POWER CORD GB, UK	007928.70.01
POWER CORD AUSTRALIA	007928.71.02
POWER CORD EUROPE	007928.71.03
FOOT CONTROL COMPLETE	008926.71.00
FOOT CONTROL CABLE SET	004944.71.00
FOOT CONTROL CABLE SUPPORT	007987.52.01
STITCH WIDTH STEP MOTOR	007835.50.05
STITCH LENGTH STEP MOTOR	030311.71.00
METAL CB HOOK	030206.52.00
SSU (OPTIONAL)	030828.70.00
FREE HAND SYSTEM COMPLETE (OPTIONAL 230PE)	030146.70.00
TENSION UNIT	004941.75.00
MOTOR BELT	007903.50.02
TIMING BELT	007903.50.22
STITCH SELECTION CARD 230PE	031607.50.02
STITCH SELECTION CARD 240	031607.50.03
BACK COVER WITH HANDLE	004892.71.20
NEEDLE PLATE	031050.70.01
BOBBINCASE	001534.73.03
BOBBIN	001536.72.00
RACE COVER	001538.72.00

**BERNINA aurora 435**

L-PRINT	030944.72.01
L-PRINT CABLE	023044.71.00
S-PRINT	023042.73.01
SERVICE PANEL	031115.50.07
CABLE FROM S-PRINT TO P-PRINT	031134.50.00
BUTTONHOLE SENSOR	015978.70.02
RETURN PRINT	031065.72.00
P-PRINT	023049.70.00
FLOURESCENT LIGHT	030683.74.00
MAIN MOTOR	007884.71.03
MOTOR CABLE	003853.71.02
MOTOR FAN	030435.52.00
BOBBIN WINDER COMPLETE	031153.70.02
POWER CORD	007928.71.00
POWER CORD GB, UK	007928.70.01
POWER CORD AUSTRALIA	007928.71.02
POWER CORD EUROPE	007928.71.03
FOOT CONTROL COMPLETE	007988.72.01
FOOT CONTROL CABLE SET	008295.70.00
FOOT CONTROL CABLE SUPPORT	007987.52.01
STITCH WIDTH STEP MOTOR	007835.50.06
STITCH LENGTH STEP MOTOR	031147.70.00
PRESSER FOOT LIFTER SWITCH	008767.72.05
HOOK COMPLETE	006076.72.04
HOOK GIB	006930.51.00
HOOK THREAD GUIDE BLADE	006078.51.00
BOBBIN STOPPER	032803.70.00
HOOK DRIVE BELT	030955.51.00
TENSION UNIT	030954.74.01
MOTOR BELT	007903.50.02
TIMING BELT	007903.50.22
STITCH SELECTION CARD	031607.50.14
NEEDLE PLATE	031051.70.01
BOBBINCASE	006068.75.10
BOBBIN	006026.53.00

**BERNINA aurora 430 / 440**

L-PRINT	030944.72.01
L-PRINT CABLE	023044.71.00
S-PRINT 430/440	023042.73.00
SERVICE PANEL	031216.50.00
BSR RECEPTACLE	031498.72.00
BSR FOOT	031472.71.01
CABLE FROM S-PRINT TO P-PRINT	031134.50.00
BUTTONHOLE SENSOR	015978.70.02
RETURN PRINT	031065.72.00
P-PRINT	023049.70.00
FLOURESCENT LIGHT	030683.74.00
MAIN MOTOR	007884.71.03
MOTOR CABLE	003853.71.02
MOTOR FAN	030435.52.00
BOBBIN WINDER COMPLETE	031153.70.02
POWER CORD	007928.71.00
POWER CORD GB, UK	007928.70.01
POWER CORD AUSTRALIA	007928.71.02
POWER CORD EUROPE	007928.71.03
FOOT CONTROL COMPLETE	007988.72.01
FOOT CONTROL CABLE SET	008295.70.00
FOOT CONTROL CABLE SUPPORT	007987.52.01
STITCH WIDTH STEP MOTOR	007835.50.06
STITCH LENGTH STEP MOTOR	031147.70.00
PRESSER FOOT LIFTER SWITCH	008767.72.05
METAL CB HOOK	030206.52.00
TENSION UNIT	030954.74.00
MOTOR BELT	007903.50.02
TIMING BELT	007903.50.22
BAMS SOFTWARE	031925.50.00
STITCH SELECTION CARD-430	031607.51.10
STITCH SELECTION CARD-440	031607.50.11
NEEDLE PLATE	031050.70.01
BOBBINCASE	001534.73.03
BOBBIN	001536.72.00
RACE COVER	001538.72.00

**BERNINA aurora 630 / 640**

L-PRINT	030944.72.01
L-PRINT CABLE	023044.71.00
S-PRINT 630	031062.71.01
S-PRINT 640	031062.71.02
LCD SCREEN	031067.70.00
CABLE FROM LCD SCREEN TO S-PRINT	031135.50.00
TOUCH SCREEN	030979.50.00
INSULATION AT BOTTOM OF LCD SCREEN	032223.50.00
BSR RECEPTACLE	031498.72.00
THREADER PRINT-640	023046.70.00
UPPER THREAD CLAMPING SOLENOID COMPLETE	031949.70.00
UPPER THREAD CLAMPING SOLENOID CABLE ONLY	000659.71.41
CABLE FROM S-PRINT TO P-PRINT	031134.50.00
STITCH LENGTH AND WIDTH KNOB	031113.51.00
BUTTONHOLE SENSOR	015978.70.02
RETURN PRINT	031065.72.00
BOBBIN MONITOR	030861.71.00
BOBBIN MONITOR CABLE	000659.70.36
CABLE FROM RETURN PRINT TO S-PRINT	031135.50.01
P-PRINT-630	023049.70.00
P-PRINT-640	031064.70.00
FLOURESCENT LIGHT	030683.74.00
MAIN MOTOR	007884.71.03
MOTOR CABLE	003853.71.02
MOTOR FAN	030435.52.00
BOBBIN WINDER COMPLETE	031153.70.02
POWER CORD	007928.71.00
POWER CORD GB, UK	007928.70.01
POWER CORD AUSTRALIA	007928.71.02
POWER CORD EUROPE	007928.71.03
FOOT CONTROL COMPLETE	007988.72.01
FOOT CONTROL CABLE SET	008295.70.00
FOOT CONTROL CABLE SUPPORT	007987.52.01
STITCH WIDTH STEP MOTOR	007835.50.06
STITCH LENGTH STEP MOTOR	031147.70.00
PRESSER FOOT LIFTER SWITCH	008767.72.05
HOOK COMPLETE-640	006076.72.03
HOOK GIB-640	030733.50.00
HOOK THREAD GUIDE BLADE-640	030684.50.00
METAL CB HOOK-630	030206.52.00
TENSION UNIT	030954.74.00
TIMING BELT	007903.50.22
MOTOR BELT	007903.50.02
HOOK DRIVE BELT-640	030955.51.00
NEEDLE PLATE 630	031050.70.01
NEEDLE PLATE 640	031051.70.01
BOBBIN 630	001536.72.00
BOBBIN 640	006026.52.00
BOBBINCASE 630	001534.73.03
BOBBINCASE 640	006068.75.10

**BERNINA artista 730**

L-PRINT	008832.79.00
MAIN PRINT 64MB	031048.73.02
I/O PRINT	030470.71.00
WHITE CABLE FROM I/O TO MAIN PRINT	023034.50.00
BLACK CABLE FROM LCD TO MAIN PRINT	023035.50.00
P-PRINT	030500.72.00
LOW BOBBIN SENSOR	030861.71.00
LOW BOBBIN SENSOR CABLE	000659.70.36
UPPER THREAD CLAMPING SOLENOID	031949.70.01
SPEAKER	030659.50.00
THREADER SENSOR PRINT	030651.70.00
LCD SCREEN	030466.51.00
TOUCH SCREEN	030508.51.00
BACKGROUND LIGHT PRINT	030645.71.00
LCD COVER	030465.50.00
LCD TOUCH SCREEN COMPLETE	030465.70.00
COMBINED CABLE SET	031626.70.00
RETURN PRINT	022090.71.00
BUTTONHOLE SENSOR	008835.72.01
FEED DOG POSITION SWITCH	008767.72.04
FLOURESCENT LIGHT-COMPLETE	004992.73.00
FLOURESCENT LIGHT-BULB AND BOARD ONLY	030343.75.00
LIGHT HOLDER ASSEMBLY	007538.72.01
MAIN MOTOR	007884.72.02
MOTOR CABLE	003853.70.00
TIMING BELT	007903.50.22
MOTOR BELT	007903.50.00
HOOK DRIVE BELT	002397.51.00
BOBBIN WINDER COMPLETE	031153.70.01
POWER CORD	007928.71.00
POWER CORD GB, UK	007928.70.01
POWER CORD AUSTRALIA	007928.71.02
POWER CORD EUROPE	007928.71.03
FOOT CONTROL COMPLETE	007988.72.01
FOOT CONTROL CABLE SET	008295.70.00
FOOT CONTROL CABLE SUPPORT	007987.52.01
STITCH WIDTH STEP MOTOR COMPLETE	000321.51.04
STITCH LENGTH STEP MOTOR COMPLETE	007825.71.01
SIDWAYS MOTION STEP MOTOR	008438.70.00
TOP TENSION STEP MOTOR	007835.51.04
HOOK COMPLETE	006076.72.01
HOOK GIB	030733.50.00
HOOK THREAD GUIDE BLADE	030684.50.00
NEEDLE BAR	008208.71.03
PRESSER FOOT LIFTER SWITCH	008767.72.03
PRESSER FOOT PRESSURE DEVICE COMPLETE	007575.70.04
UPPER TENSION ASSEMBLY	008750.78.03

CONTINUED ON NEXT PAGE

**BERNINA artista 730 (CONTINUED)**

LONG SCREW FOR MULTIPLE THREAD STAND	007752.50.50
PLASTIC WASHER FOR MULTIPLE THREAD STAND	008982.50.00
STAINLESS STEEL FREE ARM PLATE	007757.50.00
FRONT COVER	030495.50.00
GRAY MED. SPOOL CAP	032093.70.00
NEEDLE PLATE	007929.71.00
BOBBINCASE	006068.75.10
BOBBIN	006026.52.00



**BERNINA EMBROIDERY MODULE 165-180**

S-PRINT NO MB (MUST UPDATE TO 2MB OR 4MB)	NO LONGER AVAILABLE
S-PRINT 2MB (165 MODULE TAKES ONLY THIS PRINT)	015505.73.00
S-PRINT 4MB	015505.75.01
CONNECTING CABLE (ALL)	004585.50.00
STEP MOTOR X-CARRIAGE	004406.51.01
STEP MOTOR Y-CARRIAGE	004406.51.00
SMALL GEARS (SET)	030008.70.00
LARGE GEARS (SET)	030009.70.00
Y-CARRIAGE SENSOR	004438.72.00
WHITE FLAT CABLE	000616.50.02
3 POLE CABLE FOR Y-SENSOR	000659.70.28
JUNCTION PRINT	004442.71.00
L.S. PRINT	004438.72.00

**BERNINA EMBROIDERY MODULE artista 185/200**

S-PRINT 185 MODULE	015505.75.02
S-PRINT 200 MODULE (56k BOARD)	023033.70.00
S-PRINT (256k BOARD)	023033.73.00
CONNECTING CABLE 185	004585.50.00
CONNECTING CABLE 200	030713.51.00
STEP MOTOR X-CARRIAGE	000321.51.05
STEP MOTOR Y-CARRIAGE	004406.51.00
WHITE FLAT CABLE	000616.50.02
JUNCTION BOARD	004442.71.00
Y-SENSOR CABLE	000659.70.28
Y-SENSOR BOARD	022089.72.00
Y-CARRIAGE COMPLETE	030021.70.00

**BERNINA EMBROIDERY MODULE aurora 430/440**

S-PRINT	023033.73.00
CONNECTING CABLE	030713.51.00
STEP MOTOR X-CARRIAGE	000321.51.05
STEP MOTOR Y-CARRIAGE	004406.51.00
WHITE FLAT CABLE	000616.50.02
JUNCTION BOARD	004442.71.00
Y-SENSOR CABLE	000659.70.28
Y-SENSOR BOARD	022089.72.00
Y-CARRIAGE COMPLETE	030021.70.00

**BERNINA EMBROIDERY MODULE aurora 630/640**

S-PRINT	023033.73.00
CONNECTING CABLE	030713.51.00
STEP MOTOR X-CARRIAGE	000321.51.05
STEP MOTOR Y-CARRIAGE	004406.51.00
WHITE FLAT CABLE	000616.50.02
JUNCTION BOARD	004442.71.00
Y-SENSOR CABLE	000659.70.28
Y-SENSOR BOARD	022089.72.00
Y-CARRIAGE COMPLETE	030021.70.00

**bernette 50-75**

MOTOR COMPLETE	NO LONGER AVAILABLE
FOOT CONTROL COMPLETE	502030.61.42
SEWING LIGHT	502030.53.90
NEEDLE PLATE	502030.61.37
BOBBINCASE	502030.54.96
BOBBIN (10 PACK)	502030.60.29
HOOK	502030.54.95

**bernette 55**

MOTOR COMPLETE	502020.58.88
FOOT CONTROL COMPLETE	502020.67.83
SEWING LIGHT ASSEMBLY	502020.60.35
SEWING LIGHT BULB	502020.58.77
ON/OFF SWITCH	502020.60.71
POWER SUPPLY BOARD	502020.62.19
POWER CORD RECEPTACLE	502020.60.94
TIMING BELT	502020.58.63
NEEDLE PLATE	502020.58.65
HOOK	502020.00.93
BOBBIN	502020.59.23
BOBBINCASE	502020.58.71

**bernette 65 / 80E / 90E**

MOTOR COMPLETE 80E/90E	502020.58.52
MOTOR COMPLETE 65	502020.58.88
FOOT CONTROL COMPLETE 80E/90E	502020.58.45
FOOT CONTROL COMPLETE 65	502020.67.83
SEWING LIGHT ASSEMBLY	502020.60.36
SEWING LIGHT BULB	502020.58.77
ON/OFF SWITCH 65	502020.60.71
ON/OFF SWITCH 80E/90E	502020.60.72
80/90 MOTOR CONTROL BOARD	502020.60.39
POWER SUPPLY BOARD 80E/90E	502020.62.67
POWER SUPPLY BOARD 65	502020.62.19
POWER CORD RECEPTACLE 65	502020.60.94
POWER CORD RECEPTACLE 80E/90E	502020.63.85
PATTERN SELECTION BOARD 90E ONLY	502020.61.31
PHOTO SENSOR (POSITION INDICATOR) 80E/90E	502020.58.41
LCD MODULE 90E	502020.59.04
SLIDE SPEED KNOB 80E/90E	502020.62.41
SLIDE SPEED KNOB BOARD 80E/90E	502020.62.42
LCD CONTROL BOARD 90E	502020.62.44
UP & DOWN FIXED POSITION SWITCH	502020.60.79
BOBBIN WINDER SWITCH	502020.61.32
NEEDLE PLATE	502.020.67.35
BOBBIN BASKET	502020.67.38
BOBBIN STOPPER	502020.61.41
BOBBIN	502020.59.23
HOOK	502020.59.06
HOOK HEIGHT ADJUSTMENT WASHER - .5mm black synthetic	502020.61.22
HOOK HEIGHT ADJUSTMENT WASHER - .5mm brass	502020.61.82
HOOK HEIGHT ADJUSTMENT WASHER - .3mm brass with nose	502020.62.72

**bernette 56**

MOTOR COMPLETE	502020.58.88
FOOT CONTROL COMPLETE	502020.58.76
SEWING LIGHT ASSEMBLY	502020.60.36
SEWING LIGHT BULB	502020.58.77
ON/OFF SWITCH	502020.60.71
POWER SUPPLY BOARD	502020.62.19
POWER CORD RECEPTACLE	502020.60.94
TIMING BELT	502020.58.63
NEEDLE PLATE	502020.58.65
HOOK	502020.58.84
BOBBIN	502020.59.23
BOBBINCASE	502020.58.71

**bernette 66 / 82E**

MOTOR COMPLETE 82E	502020.58.52
MOTOR COMPLETE 66	502020.58.88
FOOT CONTROL COMPLETE 66	502020.67.83
FOOT CONTROL COMPLETE 82E	502020.58.45
SEWING LIGHT ASSEMBLY	502020.60.36
SEWING LIGHT BULB	502020.58.77
ON/OFF SWITCH 66	502020.60.71
ON/OFF SWITCH 82E	502020.60.72
POWER SUPPLY BOARD 82E	502020.60.39
MOTOR CONTROL BOARD 82E	502020.62.67
POWER SUPPLY BOARD 66	502020.62.19
POWER CORD RECEPTACLE 66	502020.60.94
POWER CORD RECEPTACLE 82E	502020.63.85
PHOTO SENSOR (POSITION INDICATOR) 82E	502020.58.41
SLIDE SPEED KNOB 82E	502020.62.41
UP & DOWN FIXED POSITION SWITCH 82E	502020.60.79
BOBBIN WINDER SWITCH	502020.61.32
NEEDLE PLATE	502020.67.35
BOBBIN BASKET	502020.67.38
BOBBIN STOPPER	502020.61.41
BOBBIN	502020.59.23
HOOK	502020.61.84
HOOK HEIGHT ADJUSTMENT WASHER - .5mm black synthetic	502020.61.22
HOOK HEIGHT ADJUSTMENT WASHER - .5mm brass	502020.61.82
HOOK HEIGHT ADJUSTMENT WASHER - .3mm brass with nose	502020.62.72

## bernette 92C

MOTOR COMPLETE	502020.70.22
FOOT CONTROL COMPLETE	502020.67.65
FOOT CONTROL RECEPTACLE	502020.70.75
UPPER LED LIGHT CPL WITH CABLE	502020.70.48
UPPER LED HOLDER	502020.70.84
LOWER LED LIGHT	502020.69.06
LOWER LED HOLDER	502020.70.85
LED LIGHT CABLE	502020.70.47
MAIN BOARD	502020.69.10
POWER SUPPLY BOARD	502020.70.76
POWER CORD	502060.01.65
ON/OFF SWITCH	502020.70.74
PATTERN SELECTION BOARD	502020.70.77
LCD TO MAIN BOARD CABLE	502020.70.78
LCD PLATE	502020.69.07
SLIDE SPEED KNOB	502020.70.79
SLIDE SPEED KNOB BOARD	502020.70.80
SLIDE SPEED KNOB CONNECTOR	502020.70.81
UP & DOWN FIXED POSITION SWITCH	502020.70.82
BOBBIN WINDER SWITCH	502020.70.83
UPPER TENSION COMPLETE	502020.70.21
NEEDLE PLATE	502020.67.35
BOBBIN BASKET	502020.67.38
BOBBIN STOPPER	502020.61.41
BOBBIN	502020.59.23
HOOK	502020.61.84
HOOK HEIGHT ADJUSTMENT WASHER - .5mm black synthetic	502020.61.22
HOOK HEIGHT ADJUSTMENT WASHER - .5mm brass	502020.61.82
HOOK HEIGHT ADJUSTMENT WASHER - .3mm brass with nose	502020.62.72

## bernette MODEL 100 / 200

**PARTS NO LONGER AVAILABLE**

## bernette MODEL 300 / 400

**LIMITED PARTS - PLEASE CONTACT CUSTOMER SERVICE FOR SPECIFIC PART AVAILABILITY**

## bernette MODEL 705 / 715 / 720 / 730

**LIMITED PARTS - PLEASE CONTACT CUSTOMER SERVICE FOR SPECIFIC PART AVAILABILITY**

**BERNINA 1100D/1100DA /1150MDA**

MOTOR COMPLETE 1100D	502010.55.24
MOTOR COMPLETE 1150MDA/1100DA	502010.57.42
MOTOR BRUSHES	502010.53.46
TRANSFORMER (1100DA ONLY)	502010.65.60
SEWING LIGHT ASSEMBLY 1100D	502010.20.37
SEWING LIGHT BULB 1100D	502010.20.15
SEWING LIGHT ASSEMBLY 1100DA	502010.57.29
SEWING LIGHT BULB 1100DA	502010.72.06
FOOT CONTROL COMPLETE	502010.55.27
FOOT CONTROL CORD WITH PLUG	502010.55.31
MAIN FEED DOG	502010.68.65
SUB FEED DOG	502010.65.53
UPPER LOOPER	502010.03.71
LOWER LOOPER	502010.15.69
UPPER KNIFE	502010.05.94
LOWER KNIFE	502010.05.95
ROLL HEM PIN	502010.17.49
STITCH FORMATION PIN	502010.00.43
LOWER LOOPER WITH THREADING SLOT	502010.21.01
NEEDLE PLATE 1150 MDA	502010.70.47
NEEDLE PLATE 1100D/1100DA	502010.59.88

## **BERNINA 1200DA**

<b>MOTOR COMPLETE</b>	<b>502010.65.77</b>
<b>MOTOR BRUSHES</b>	<b>502010.53.46</b>
<b>SEWING LIGHT ASSEMBLY</b>	<b>502010.02.32</b>
<b>SEWING LIGHT BULB</b>	<b>502010.05.45</b>
<b>FOOT CONTROL COMPLETE</b>	<b>502010.55.27</b>
<b>FOOT CONTROL CORD WITH PLUG</b>	<b>502010.55.31</b>
<b>MICRO PCB</b>	<b>502010.65.68</b>
<b>MAIN PCB</b>	<b>502010.65.64</b>
<b>TRANSFORMER</b>	<b>502010.65.62</b>
<b>STITCH SELECTION BOARD</b>	<b>502010.66.45</b>
<b>LCD SCREEN</b>	<b>502010.65.28</b>
<b>FRONT PANEL COMPLETE</b>	<b>502010.66.38</b>
<b>MAIN FEED DOGS</b>	<b>502010.02.57</b>
<b>SUB FEED DOGS</b>	<b>502010.65.53</b>
<b>UPPER LOOPER</b>	<b>502010.03.71</b>
<b>LOWER LOOPER</b>	<b>502010.15.69</b>
<b>LOWER LOOPER WITH THREADING SLOT</b>	<b>502010.21.01</b>
<b>UPPER KNIFE</b>	<b>502010.05.94</b>
<b>LOWER KNIFE</b>	<b>502010.05.95</b>
<b>ROLL HEM PIN</b>	<b>502010.17.49</b>
<b>STITCH FORMATION PIN</b>	<b>502010.00.43</b>
<b>NEEDLE PLATE</b>	<b>502010.66.28</b>
<b>NEEDLE THREADER L/R KNOB</b>	<b>502010.56.92</b>
<b>NEEDLE THREADER L/R KNOB ATTACHMENT CLIP</b>	<b>502010.56.93</b>

## BERNINA 1300DC / 1300MDC

MOTOR COMPLETE	502010.65.77
MOTOR BRUSHES	502010.53.46
SEWING LIGHT ASSEMBLY 1300DC	502010.65.70
SEWING LIGHT ASSEMBLY 1300MDC	502010.70.50
SEWING LIGHT BULB 1300DC	502010.60.69
FOOT CONTROL COMPLETE 1300DC	502010.55.27
FOOT CONTROL COMPLETE 1300MDC	502010.70.73
FOOT CONTROL/POWER CORD ONLY	502010.55.31
MICRO PCB 1300DC	502010.65.69
MICRO PCB 1300MDC	502010.70.52
MAIN PCB 1300DC	502010.65.66
MAIN PCB 1300MDC	502010.70.55
TRANSFORMER 1300DC	502010.65.62
TRANSFORMER 1300MDC	502010.70.53
STITCH SELECTION BOARD 1300DC	502010.67.62
STITCH SELECTION BOARD 1300MDC	502010.70.49
LCD SCREEN	502010.65.28
FRONT PANEL COMPLETE	502010.67.39
MAIN FEED DOGS 1300DC	502010.65.36
MAIN FEED DOGS 1300MDC	502010.70.39
SUB FEED DOGS 1300DC	502010.65.37
SUB FEED DOGS 1300MDC	502010.70.40
UPPER LOOPER	502010.03.71
LOWER LOOPER	502010.15.69
CHAIN LOOPER 1300DC	502010.65.38
CHAIN LOOPER 1300MDC	502010.70.41
LOWER LOOPER WITH THREADING SLOT	502010.21.01
UPPER KNIFE	502010.05.94
LOWER KNIFE	502010.05.95
ROLL HEM PIN	502010.00.79
STITCH FORMATION PIN	502010.00.43
NEEDLE PLATE 1300DC	502010.71.27
NEEDLE PLATE 1300MDC	502010.70.35



## **BERNINA MODEL 2000D**

FOOT CONTROL COMPLETE	502010.62.68
MOTOR COMPLETE	502010.06.39
MOTOR BRUSHES	502010.53.46
SEWING LIGHT BULB	502010.72.06
SEWING LIGHT ASSEMBLY	502010.02.30
TRANSFORMER	NO LONGER AVAILABLE
MAIN FEED DOGS	502010.02.58
SUB FEED DOGS	NO LONGER AVAILABLE
UPPER LOOPER	502010.03.71
LOWER LOOPER	502010.04.06
UPPER KNIFE	502010.05.94
LOWER KNIFE	502010.05.95
ROLL HEM PIN	502010.00.79
STITCH FORMATION PIN	502010.00.43
NEEDLE PLATE	502010.68.45

## **BERNINA MODEL 2000DE**

FOOT CONTROL COMPLETE	502010.71.40
MOTOR COMPLETE	502010.06.43
MOTOR BRUSHES	502010.53.46
SEWING LIGHT BULB	502010.72.06
SEWING LIGHT ASSEMBLY	502010.02.32
POWER CORD	502010.54.05
POWER CORD (NON-POLARIZED)	007928.71.04
POWER SUPPLY PCB	502010.06.28
TRANSFORMER	502010.06.12
STITCH IND. PCB	502010.00.63
NEEDLE UP/DOWN PCB	502010.00.34
MOTOR PULSE DETECTOR PCB	502010.06.06
MICRO - COMP. PCB	502010.06.24
SAFETY SWITCH PRESSER FOOT LIFTER	NO LONGER AVAILABLE
MAINSHAFT DETECTOR PCB	502010.01.41
MAIN FEED DOGS	502010.02.58
SUB FEED DOGS	NO LONGER AVAILABLE
FOOT CONTROL RECEPTACLE	502010.57.84
UPPER LOOPER	502010.03.71
LOWER LOOPER	502010.04.06
UPPER KNIFE	502010.05.94
LOWER KNIFE	502010.05.95
ROLL HEM PIN	502010.00.79
STITCH FORMATION PIN	502010.00.43
NEEDLE PLATE	502010.68.45

**BERNINA MODEL 2000DCE**

FOOT CONTROL COMPLETE	502010.71.40
MOTOR COMPLETE	502010.06.43
MOTOR BRUSHES	502010.53.46
SEWING LIGHT BULB	502010.72.06
SEWING LIGHT ASSEMBLY	502010.02.32
POWER CORD	502010.54.05
POWER SUPPLY PCB	502010.06.28
TRANSFORMER	502010.06.12
STITCH IND. PCB	502010.00.64
NEEDLE UP/DN PCB W/COVER	502010.00.30
MOTOR PULSE DET. PCB	502010.06.06
MICRO-COMP PCB	NO LONGER AVAILABLE
SAFETY SWITCH PRESSER FT LIFTER	NO LONGER AVAILABLE
MAINSHAFT DET. PCB	502010.01.41
MAIN FEED DOGS	502010.02.58
SUB FEED DOGS	502010.02.83
FOOT CONTROL RECEPTACLE	502010.57.84
UPPER LOOPER	502010.03.71
LOWER LOOPER	502010.04.06
UPPER KNIFE	502010.05.94
LOWER KNIFE	502010.05.95
ROLL HEM PIN	502010.00.79
STITCH FORMATION PIN	502010.00.43
NEEDLE PLATE	502010.68.57
COVER STITCH NEEDLE PLATE	502010.00.42

## **BERNINA 2500DCE**

FOOT CONTROL COMPLETE	502010.71.40
MOTOR COMPLETE	502010.06.43
MOTOR BRUSHES	502010.53.46
SEWING LIGHT BULB	502010.72.06
SEWING LIGHT ASSEMBLY	502010.02.32
POWER CORD	502010.54.05
POWER SUPPLY PCB	502010.06.28
TRANSFORMER	502010.06.12
STITCH INDICATOR PCB	502010.59.08
NEEDLE UP/DN PCB W/COVER	502010.00.30
MOTOR PULSE DETECTOR PCB	502010.06.06
MICRO-COMPUTER PCB	502010.56.31
SAFETY SWITCH PRESSER FT LIFTER	NO LONGER AVAILABLE
MAINSHAFT DETECTOR PCB	502010.01.41
MAIN FEED DOGS	NO LONGER AVAILABLE
SUB FEED DOGS	NO LONGER AVAILABLE
FOOT CONTROL RECEPTACLE	502010.57.84
UPPER LOOPER	502010.03.71
LOWER LOOPER	502010.04.06
UPPER KNIFE	502010.05.94
LOWER KNIFE	502010.05.95
NEEDLE PLATE	502010.59.09

## **BERNINA 2500DCET**

FOOT CONTROL COMPLETE	502010.71.40
MOTOR COMPLETE	502010.06.43
MOTOR BRUSHES	502010.53.46
SEWING LIGHT BULB	502010.72.06
SEWING LIGHT ASSEMBLY	502010.02.32
POWER CORD	502010.54.05
POWER SUPPLY PCB	502010.06.28
TRANSFORMER	502010.06.12
STITCH INDICATOR PCB	502010.59.08
NEEDLE UP/DOWN PCB W/COVER	502010.00.30
MOTOR PULSE DETECTOR PCB	502010.06.06
MICRO-COMPUTER PCB	NO LONGER AVAILABLE
SAFETY SWITCH PRESSER FT LIFTER	NO LONGER AVAILABLE
MAINSHAFT DETECTOR PCB	502010.01.41
MAIN FEED DOGS	NO LONGER AVAILABLE
SUB FEED DOGS	NO LONGER AVAILABLE
FOOT CONTROL RECEPTACLE	502010.57.84
UPPER LOOPER	502010.03.71
LOWER LOOPER	502010.04.06
UPPER KNIFE	502010.05.94
LOWER KNIFE	502010.05.95
NEEDLE PLATE	502010.59.09

**bernette MODEL 003 / 004 / 004D / 006D / 007D / 008D**

FOOT CONTROL(003/004/004D)	502010.52.42
FOOT CONTROL(006D/007D/008D)	502010.55.27
FOOT CONTROL CORD WITH PLUG (006D/007D/008D)	502010.55.31
MOTOR COMPLETE (003/004/004D)	502010.06.35
MOTOR COMPLETE (006D/007D/008D)	502010.06.32
MOTOR BRUSHES	502010.20.16
SEWING LIGHT BULB	502010.20.15
SEWING LIGHT ASSEMBLY	502010.20.14
MOTOR BELT	502010.18.90
FEED DOGS (003/004)	502010.19.33
MAIN FEED DOGS (004D/006D/007D) REAR	502010.22.12
SUB FEED DOGS (004D/006D/007D) FRONT	502010.68.65
MAIN FEED DOGS (008D) REAR	502010.02.57
UPPER LOOPER	502010.13.01
LOWER LOOPER	502010.21.01
UPPER KNIFE	502010.05.94
LOWER KNIFE	502010.05.95
ROLL HEM PIN	502010.17.49
STITCH FORMATION PIN	502010.00.43
NEEDLE PLATE 003	502010.20.27
NEEDLE PLATE 004/004D/006D/007D	502010.18.52
NEEDLE PLATE 008D	502010.00.36

**bernette 009DC / 009DCC**

MOTOR COMPLETE	502010.06.32
LIGHT ASSEMBLY	502010.20.37
FOOT CONTROL COMPLETE	502010.55.27
FOOT CONTROL CORD WITH PLUG	502010.55.31
SEWING LIGHT BULB	502010.20.15
MAIN FEED DOG	502010.52.25
SUB FEED DOG	502010.52.26
MAIN FEED DOG OLD STYLE(4 ROWS OF TEETH )	502010.63.86
SUB FEED DOG OLD STYLE	502010.63.87
STITCH PLATE	502010.63.88
CHAIN LOOPER 009DC	502010.52.29
CHAIN LOOPER 009DCC	502010.52.30
COVERSTITCH HEM GUIDE	502010.68.87
NEEDLE PLATE 009DC	502010.51.99
NEEDLE PLATE 009DCC	502010.63.88

**bernette MODEL 43 / 43D**

**PARTS NO LONGER AVAILABLE**

**bernette 134 / 134D**

**PARTS NO LONGER AVAILABLE**

**bernette MODEL 203 / 204 / 234**

**LIMITED PARTS - PLEASE CONTACT CUSTOMER SERVICE FOR SPECIFIC PART AVAILABILITY**

**bernette MODEL 335 / 335S / 334 / 334D / 334DS**

FOOT CONTROL	502010.62.68
MICRO SWITCH IN FOOT CONTROL	502010.16.15
MOTOR ONLY	NO LONGER AVAILABLE
MOTOR COMPLETE	502010.16.09
MOTOR BRUSHES	502010.58.37
SEWING LIGHT BULB	502010.10.93
SEWING LIGHT ASSEMBLY	502010.10.92
ON/OFF SWITCH	502010.16.23
MOTOR BELT	502010.16.26
FEED DOGS (334)	NO LONGER AVAILABLE
MAIN FEED DOGS (334D/334DS)	502010.17.27
SUB FEED DOGS (334D/334DS)	502010.17.26
MAIN FEED DOGS (335D/335DS)	NO LONGER AVAILABLE
SUB FEED DOGS (335D/335DS)	NO LONGER AVAILABLE
UPPER LOOPER	502010.13.01
UPPER LOOPER DRIVE GEAR	502010.15.61
LOWER LOOPER WITH THREADING SLOT	502010.21.01
UPPER KNIFE	502010.05.94
LOWER KNIFE	502010.05.95
ROLL HEM PIN	502010.17.49
STITCH FORMATION PIN	502010.00.43
MICRO SWITCH	502010.16.15
NEEDLE PLATE 334/334D	502010.17.12

**bernette 700D / 800D / 800DL**

MOTOR COMPLETE	502010.55.24
MOTOR BRUSHES	502010.58.37
LIGHT ASSEMBLY	502010.20.37
SEWING LIGHT BULB	502010.20.15
FOOT CONTROL COMPLETE	502010.55.27
FOOT CONTROL CORD WITH PLUG	502010.55.31
MAIN FEED DOG	502010.68.65
SUB FEED DOG	502010.65.53
ROLL HEM PIN	502010.17.49
STITCH FORMATION PIN	502010.00.43
UPPER LOOPER	502010.03.71
LOWER LOOPER WITH THREADING SLOT	502010.21.01
UPPER KNIFE	502010.05.94
LOWER KNIFE	502010.05.95
NEEDLE PLATE	502010.59.88

**BERNINA DECO 330**

MOTOR COMPLETE	502060.01.86
SEWING LIGHT ASSEMBLY	502060.01.59
SEWING LIGHT BULB	502060.01.40
POWER CORD	502060.01.65
POWER SUPPLY PCB COMPLETE	502060.00.97
MICRO-COMPUTER PCB	502060.01.31
LCD MODULE ASSEMBLY	502060.01.13
LCD CABLE	502060.01.06
START/STOP PCB	502060.01.07
POWER CORD RECEPTACLE AND SWITCH	502060.01.11
BOBBIN WINDER UNIT	502060.00.34
BOBBIN WINDER SWITCH	502060.01.09
UPPER THREAD SENSOR	502060.01.05
UPPER THREAD TENSION SOLENOID	502060.01.04
BOBBIN THREAD DETECTOR SOLENOID	502060.00.98
NEEDLE POSITION PCB	502060.01.81
PRESSER FOOT SWITCH	502060.01.10
X STEP MOTOR	502060.00.91
X SENSOR PCB	502060.03.90
X-SENSOR PCB CABLE	502060.00.89
Y STEP MOTOR	502060.00.91
Y SENSOR PCB	502060.03.91
Y SENSOR PCB CABLE	502060.00.90
HOOK	502060.00.79
NEEDLE PLATE	502060.00.38
BOBBIN BASKET	502060.04.33
BOBBIN	502060.00.26

**bernette DECO 340**

MOTOR COMPLETE	502060.01.86
SEWING LIGHT ASSEMBLY	502060.01.59
SEWING LIGHT BULB	502060.01.40
POWER CORD	502060.01.65
POWER SUPPLY PCB COMPLETE	502060.00.97
MICRO-COMPUTER PCB	502060.04.79
LCD MODULE ASSEMBLY	502060.01.13
LCD CABLE	502060.01.06
START/STOP PCB	502060.05.22
POWER CORD RECEPTACLE AND SWITCH	502060.01.11
BOBBIN WINDER UNIT	502060.01.87
BOBBIN WINDER SWITCH	502060.03.86
UPPER THREAD SENSOR	502060.01.05
UPPER THREAD TENSION SOLENOID	502060.05.12
BOBBIN THREAD DETECTOR SOLENOID	502060.00.98
NEEDLE POSITION PCB	502060.01.81
PRESSER FOOT SWITCH	502060.01.10
X STEP MOTOR	502060.00.91
X SENSOR PCB	502060.03.90
X-SENSOR PCB CABLE	502060.00.90
Y STEP MOTOR	502060.00.91
Y SENSOR PCB	502060.03.91
Y SENSOR PCB CABLE	502060.00.89
NEEDLE PLATE	502060.05.02
BOBBIN	502060.00.26
BOBBIN BASKET	502060.04.75
HOOK	502060.00.79



## bernette DECO 500

MOTOR COMPLETE	502030.60.87
SEWING LIGHT ASSEMBLY	502030.61.05
SEWING LIGHT BULB	502030.60.93
POWER CORD	007928.70.04
POWER SUPPLY PCB COMPLETE	502030.61.27
MICRO-COMPUTER PCB	502030.00.41
LCD MODULE ASSEMBLY	502030.00.34
START/STOP PCB	502030.01.42
POWER CORD RECEPTACLE	NO LONGER AVAILABLE
BOBBIN WINDER SWITCH	NO LONGER AVAILABLE
THREAD BREAKAGE SENSOR	502030.00.40
TENSION SOLENOID	502030.01.18
NEEDLE POSITION PCB	502030.00.39
PRESSER FOOT SWITCH ASSEM.	502030.01.71
X STEP MOTOR	502030.02.07
X SENSOR PCB	502030.60.91
Y STEP MOTOR	502030.02.08
Y SENSOR PCB	502030.00.98
DECO SPACER	NO LONGER AVAILABLE
NOISE CONTROL	NO LONGER AVAILABLE
LCD BULB 500-650	502030.51.81
OUTER ROTARY HOOK (PLASTIC)	502030.00.48
INNER ROTARY HOOK	502030.01.80
NEEDLE BAR BLOCK	502030.60.86
PIN FOR NEEDLE BAR BLOCK	241056.43.++
TENSION UNIT COMPLETE	502030.61.04
NEEDLE PLATE	502030.00.28
BOBBIN	502030.59.64

### UPGRADE FOR 601 SCAN

PARTS NO LONGER AVAILABLE

### DECO 501 SCAN PARTS

PARTS NO LONGER AVAILABLE

**bernette DECO 600**

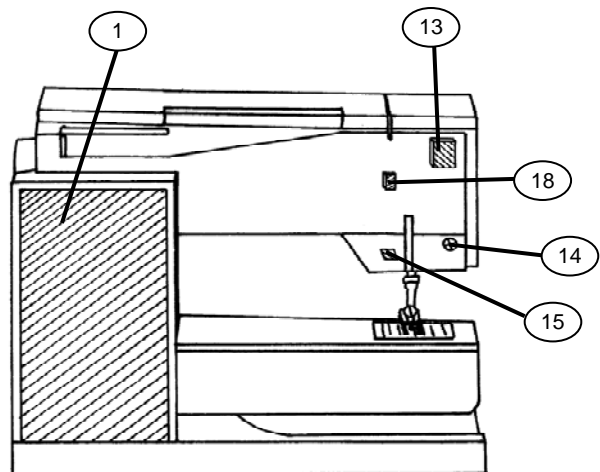
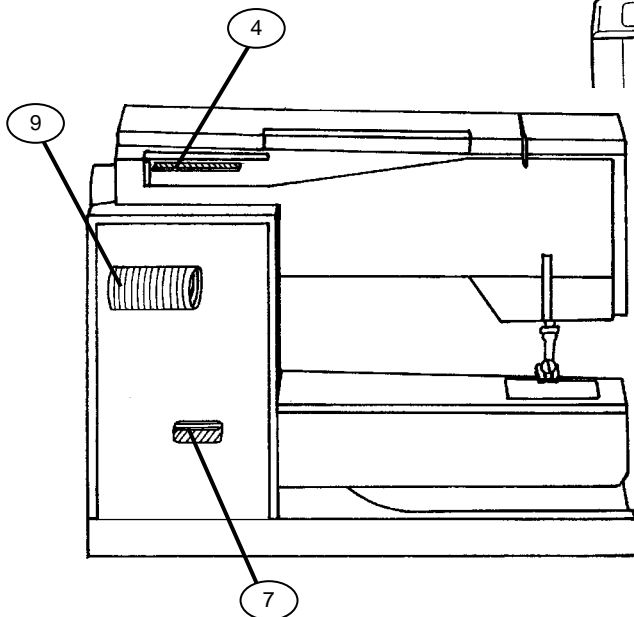
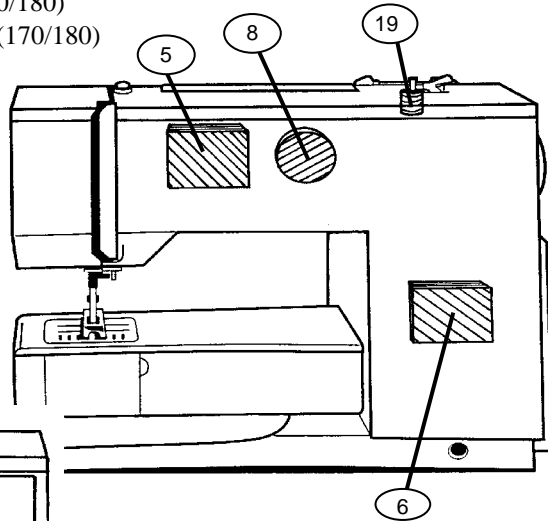
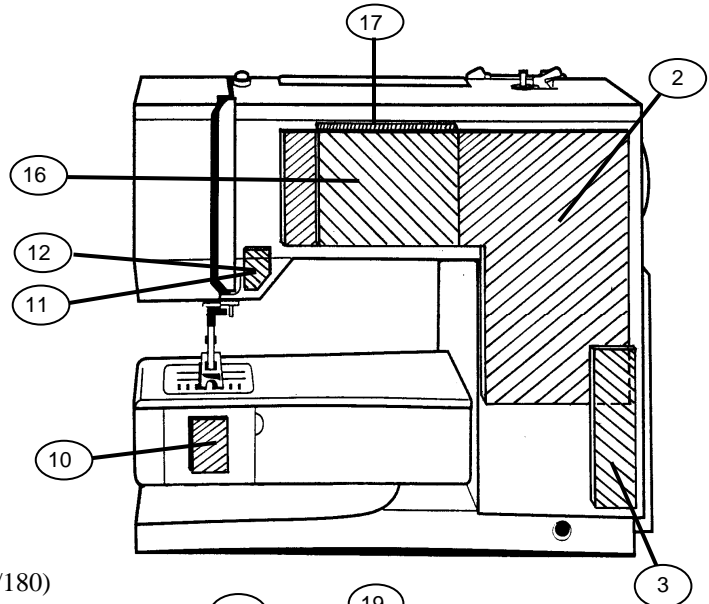
MOTOR COMPLETE	502030.60.87
SEWING LIGHT ASSEMBLY	502030.61.05
SEWING LIGHT BULB	502030.60.93
POWER CORD	007928.71.00
POWER SUPPLY PCB COMPLETE	502030.61.27
MICRO-COMPUTER PCB	502030.50.93
LCD MODULE ASSEMBLY	502030.50.94
START/STOP PCB	502030.01.42
POWER CORD RECEPTACLE	502030.50.95
BOBBIN WINDER SWITCH	NO LONGER AVAILABLE
THREAD BREAKAGE SENSOR	502030.00.40
PHOTO DIODE ASSEMBLY (LEFT OF HOOK)	502030.50.91
PHOTO TRANSISTOR ASSEMBLY (RIGHT OF HOOK)	502030.50.92
TENSION SOLENOID	502030.01.18
NEEDLE POSITION PCB	502030.00.39
PRESSER FOOT SWITCH ASSEM.	502030.01.71
X STEP MOTOR	502030.02.07
X SENSOR PCB	502030.60.91
Y STEP MOTOR	502030.02.08
Y SENSOR PCB	502030.00.98
LCD BULB 500-650	502030.51.81
METAL OUTER ROTARY HOOK	502030.61.49
SHAFT SUPPORTER	502030.61.50
INNER ROTARY HOOK	502030.01.80
NEEDLE BAR BLOCK	502030.60.86
PIN FOR NEEDLE BAR BLOCK	241056.43.++
TENSION UNIT COMPLETE	502030.61.04
NEEDLE PLATE	502030.61.15
BOBBIN	502030.59.64

## **BERNINA DECO 650**

<b>MOTOR COMPLETE</b>	502030.60.87
<b>SEWING LIGHT ASSEMBLY</b>	502030.61.05
<b>SEWING LIGHT BULB</b>	502030.60.93
<b>POWER CORD</b>	007928.71.04
<b>POWER SUPPLY PCB COMPLETE</b>	502030.61.27
<b>MICRO-COMPUTER PCB</b>	502030.61.52
<b>LCD MODULE ASSEMBLY</b>	502030.50.94
<b>START/STOP PCB</b>	502030.01.42
<b>POWER CORD RECEPTACLE</b>	502030.50.95
<b>BOBBIN WINDER SWITCH</b>	NO LONGER AVAILABLE
<b>THREAD BREAKAGE SENSOR</b>	502030.00.40
<b>PHOTO DIODE ASSEMBLY (LEFT OF HOOK)</b>	502030.50.91
<b>PHOTO TRANSISTOR ASSEMBLY (RIGHT OF HOOK)</b>	502030.50.92
<b>TENSION SOLENOID</b>	502030.01.18
<b>NEEDLE POSITION PCB</b>	502030.00.39
<b>PRESSER FOOT SWITCH ASSEM.</b>	502030.01.71
<b>X STEP MOTOR</b>	502030.02.07
<b>X SENSOR PCB</b>	502030.60.91
<b>Y STEP MOTOR</b>	502030.02.08
<b>Y SENSOR PCB</b>	502030.00.98
<b>LCD BULB 500-650</b>	502030.51.81
<b>METAL OUTER ROTARY HOOK</b>	502030.61.49
<b>SHAFT SUPPORTER</b>	502030.61.50
<b>INNER ROTARY HOOK</b>	502030.01.80
<b>NEEDLE BAR BLOCK</b>	502030.60.86
<b>PIN FOR NEEDLE BAR BLOCK</b>	241056.43.++
<b>TENSION UNIT COMPLETE</b>	502030.61.04
<b>NEEDLE PLATE</b>	502030.61.15
<b>BOBBIN</b>	502030.59.64

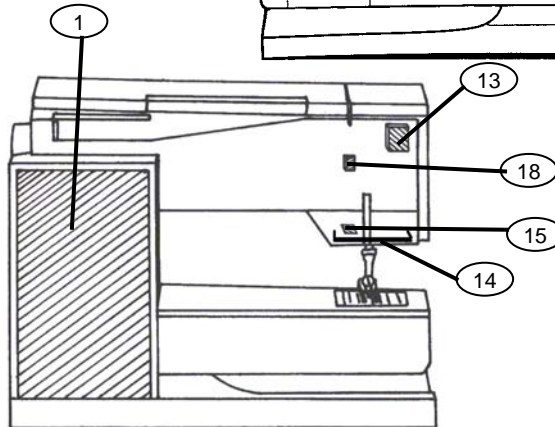
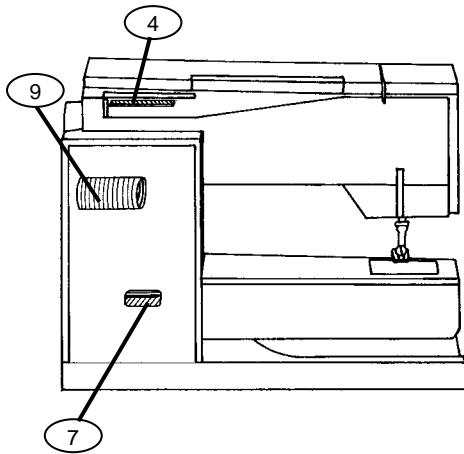
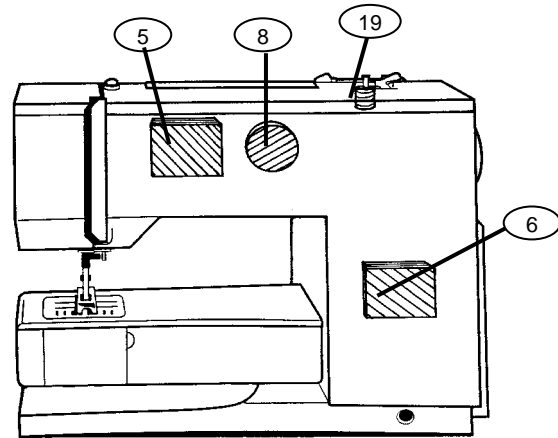
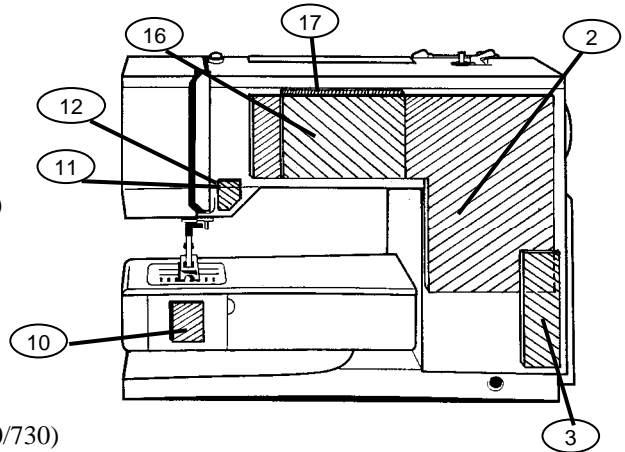
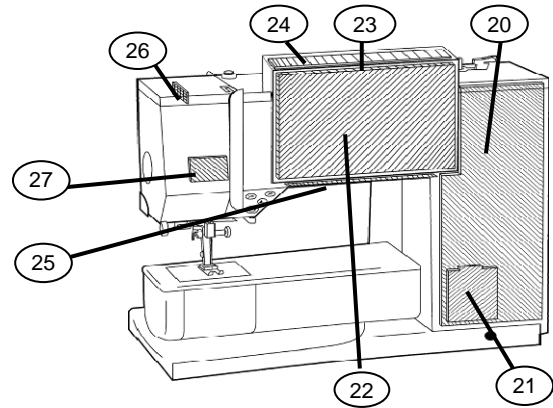
**ARRANGEMENT CHART OF ELECTRICAL/ELECTRONIC PARTS  
(130-180)**

1. L-Print
2. S-Print
3. A-Print (Model 170/180)
4. P-Print
5. Stitch Width Step Motor
6. Stitch Length Step Motor
7. Sideways Motion Step Motor (Model 180)
8. Upper Thread Tension Step Motor (Model 180)
9. Main Motor
10. Lower Thread Control (Model 180)
11. Upper Thread Control (Model 170/180)
12. Ret - Button
13. Basting Magnet
14. Sewing Light
15. Buttonhole Print (150QE/160P/170/180)
16. Touch Screen (Model 170/180)
17. LCD Display (Liquid Crystal Display, Model 170/180)
18. Micro Switch for Presser Foot lowering Control (170/180)
19. Bobbin Winder Motor



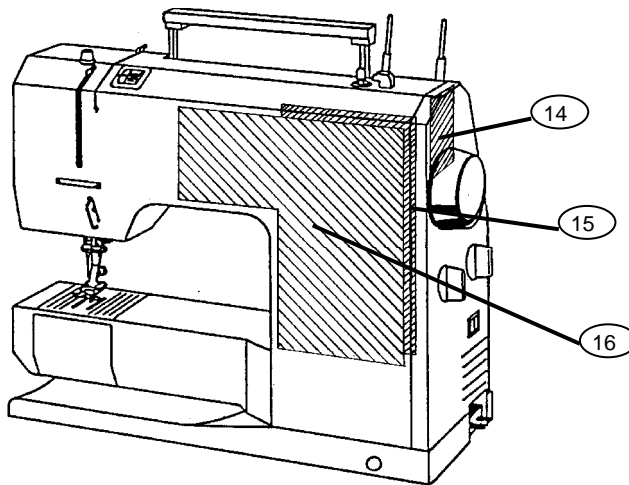
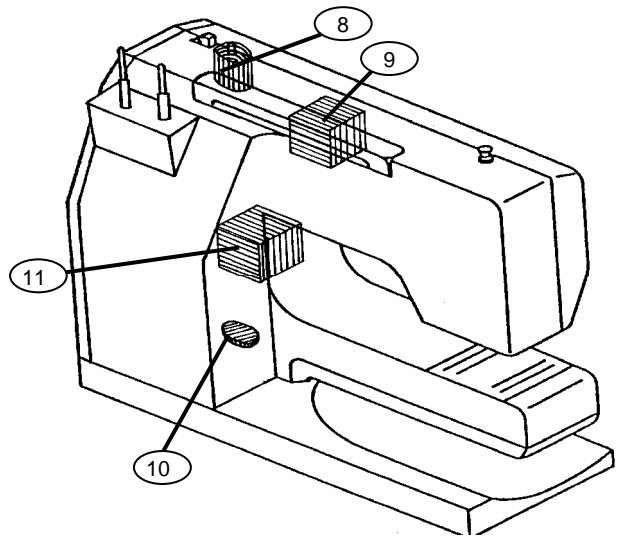
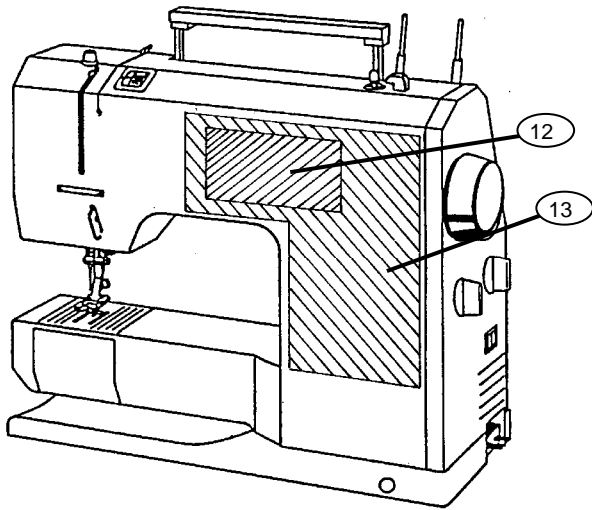
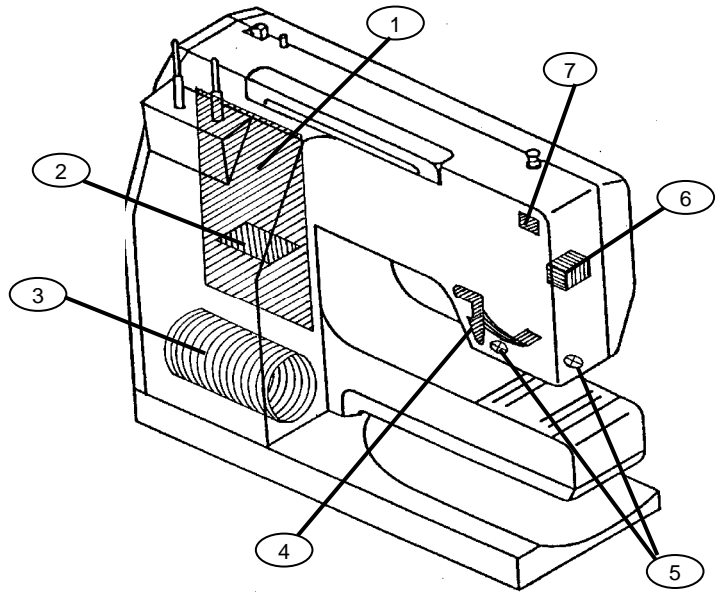
**ARRANGEMENT CHART OF ELECTRICAL/ELECTRONIC PARTS  
(153-730)**

1. L – Power Print
2. S – Print
3. A – Print (Model 165/185)
4. P – Print
5. Stitch Width Step Motor
6. Stitch Length Step Motor
7. Sideways Motion Step Motor (Model 185/200/730)
8. Upper Thread Tension Step Motor (Model 185/200/730)
9. Main Motor
10. Lower Thread Control (Model 185/200/730)
11. Upper Thread Control (Model 165/185/200/730)
12. Ret – Button
13. Basting Magnet
14. Sewing Light
15. Buttonhole Print
16. Touch Screen (Model 165/185)
17. LCD Display (Liquid Crystal Display, Model 165/185)
18. Micro Switch for Presser Foot (165/185/200/730)
19. Bobbin Winder Motor
20. Main-Print (Model 200/730)
21. Mini-Print (Model 200/730)
22. Touch Screen (Model 200/730)
23. LCD Display (Liquid Crystal Display, Model 200/730)
24. Display, Touch Screen and Backlight Print (Model 200/730)
25. I/O-Print - Input-Output (Model 200/730)
26. Threader Sensor Board (Model 185/200/730)
27. Thread Clamping Solenoid (Model 185/200/730)



**ARRANGEMENT CHART OF ELECTRICAL/ELECTRONIC PARTS  
(1080-1630)**

- 1. L-Print
- 2. R-Print
- 3. Main Motor
- 4. Ret-Return Print
- 5. Light Bulbs
- 6. Long Stitch/Basting magnet
- 7. Light Switch
- 8. Bobbin Winder with Micro Switch
- 9. Stitch Width Step Motor
- 10. Sideways Motion Step Motor (1630 only)
- 11. Stitch Length Motor
- 12. LCD-Display (1530-1630)
- 13. A/S-Print (1530-1630)
- 14. P-Print
- 15. S-Print (1080-1260)
- 16. A-Print (1080-1260)

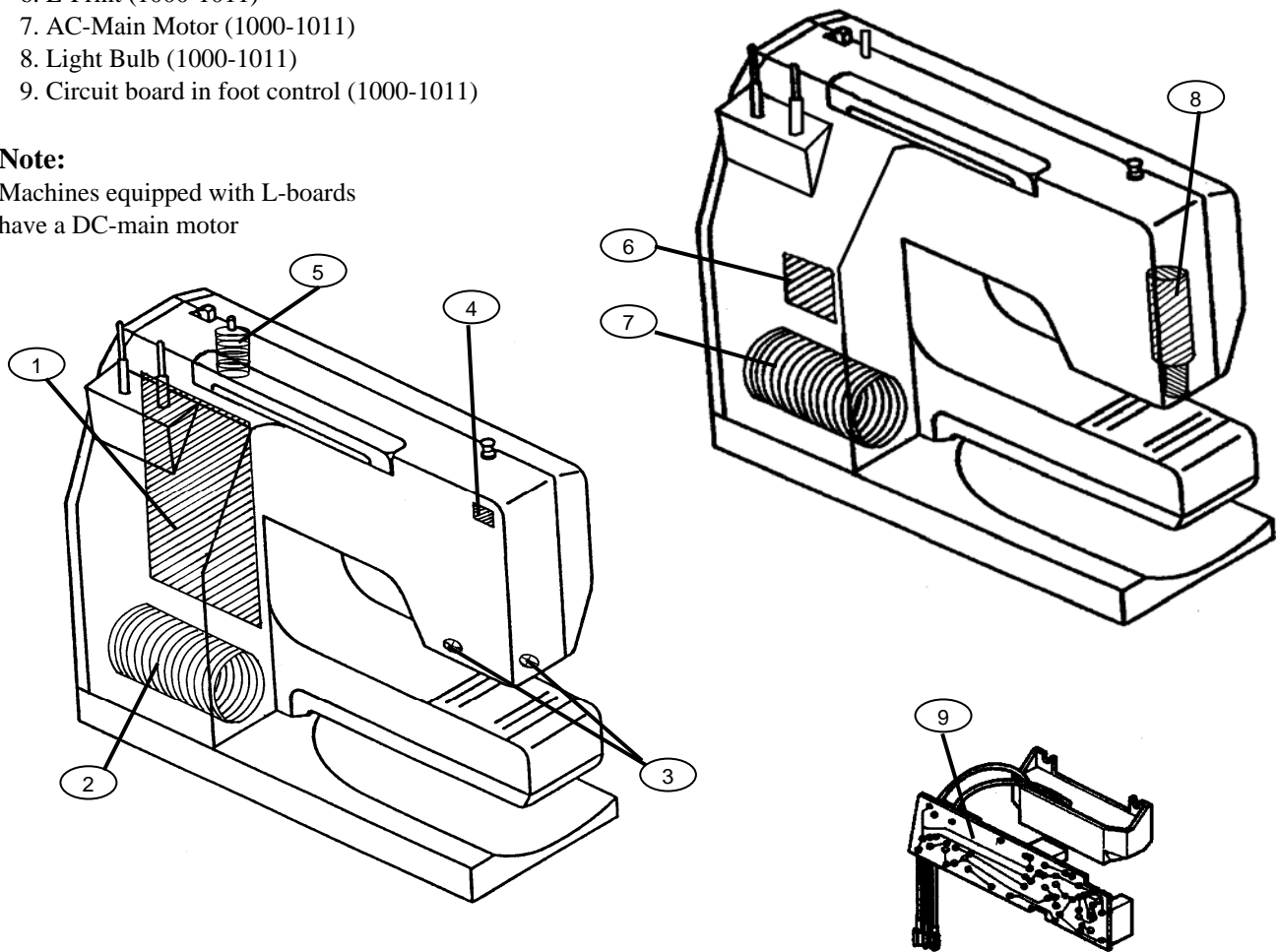


## ARRANGEMENT CHART OF ELECTRICAL/ELECTRONIC PARTS (1000-1031)

1. L-Print (1020/1030/1031)
2. DC-Main Motor (1020/1030/1031)
3. Light Bulbs (1020/1030/1031)
4. Light Switch (1020/1030/1031)
5. Bobbin Winder with Micro Switch (1020/1030/1031)
6. E-Print (1000-1011)
7. AC-Main Motor (1000-1011)
8. Light Bulb (1000-1011)
9. Circuit board in foot control (1000-1011)

### Note:

Machines equipped with L-boards  
have a DC-main motor



## SERVICE CHARGES FOR CIRCUIT BOARD REPAIRS ON 1630 & OLDER

PCB Type	Repair Charge
A/S PRINT 1530/1630	\$125 plus parts
L-PRINT 1530/1630	\$60 plus parts
L-PRINT 1230/1260	\$60 plus parts
S-PRINT 1230/1260	\$60 plus parts
A-PRINT 1230/1260	\$60 plus parts
L-PRINT 1120/1130	\$60 plus parts
S-PRINT 1120/1130	\$60 plus parts
A-PRINT 1120/1130	\$60 plus parts
L-PRINT 1080/1090	\$60 plus parts
S-PRINT 1080/1090	\$60 plus parts
A-PRINT 1080/1090	\$30 plus parts
L-PRINT 1020/1030	\$60 plus parts
L-PRINT 910/930	\$50 plus parts
PCB-900	\$30 plus parts
PCB-830/1000	\$30 plus parts
LCD-500/600	\$30 plus parts
Foot Controls	\$15 plus parts

There is **NO CREDIT** on the circuit boards listed on this page. These are charges for repair of the circuit boards listed. Some may still be available as a replacement part, however most are repair only, and cannot be ordered as a replacement part. For any questions contact our Technical Service Department. [dlrtechq@berninausa.com](mailto:dlrtechq@berninausa.com)



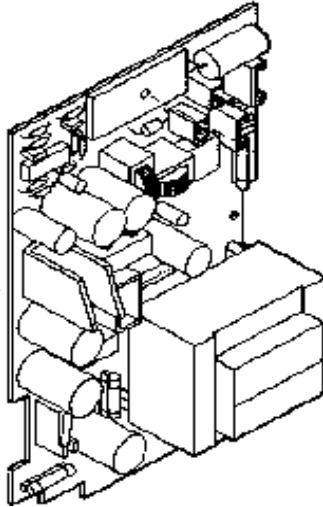
## L & R PRINT COMPATIBILITY

When replacing old style 1130/1120 L-Board (figure 1) Part # 000320.70.01(NLA) with the new L-Board (figure 2) 000565.70.01(NLA), the following parts must also be changed:

CHASSIS 000472.51.00  
SCREWS 296500.83.++  
R-PRINT 000564.70.00

**FIGURE #1**

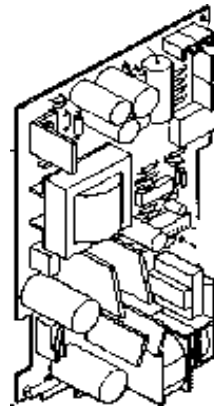
L-Board  
000320.70.01  
(NLA)



R- PRINT  
000345.71.00

**FIGURE #2**

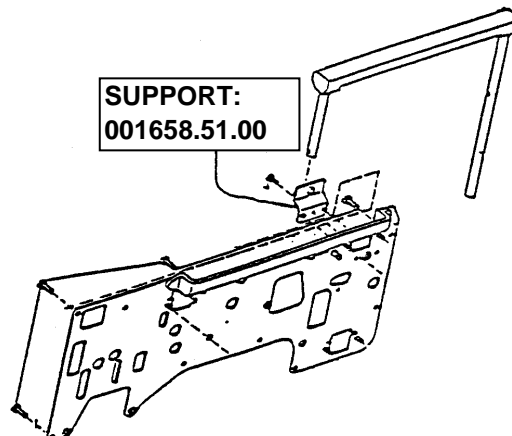
L-Board  
000565.70.01  
(NLA)



R- PRINT  
000564.70.00

Also a modification must be made to the machine, part number 001658.51.00 (figure 3) must be removed.

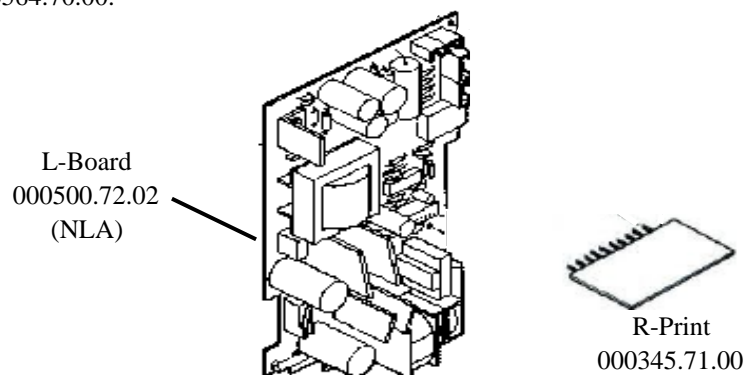
**FIGURE #3**



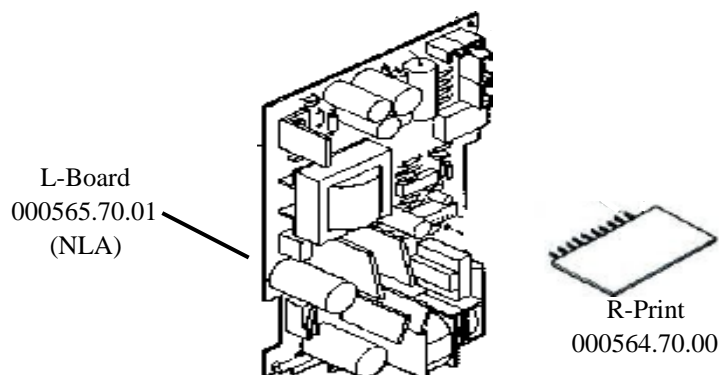
## L & R PRINT COMPATIBILITY (CONT.)

When replacing old style 1230 L-Board (figure #1) part number 000500.72.02 (NLA) with new style L-Board (figure #2) 000565.70.01 (NLA), you must also change the R-Print part number 000564.70.00.

**FIGURE #1  
YELLOW LABELS**



**FIGURE #2  
ORANGE LABELS**



## SERVICE CHARGES FOR CIRCUIT BOARD REPAIRS ON CLASSIC LINE

If the prints are out of the five-year warranty period, then the charges listed below apply

Part number	Description	Dealer Cost	Dealer Repair Cost	Credit to Dealer
015500.34.01	S-Print 125/135/145SSU	\$183.75	\$90.00	\$93.75
030744.71.01	L-Print heavy 125/135/145	\$54.08		No Credit
030944.71.00	L-Print 135S, 145S, 220-240	\$59.57		No Credit
000917.71.01	130/140 S-Print, replace with 015200.71.02			No Credit
015200.71.02	S-Print 130/140UP	\$139.58	\$60.00	\$79.58
015200.71.04	S-Print 140P	\$169.95	\$60.00	\$109.95
000917.71.00	150/160 S-Print, replace with 015200.71.01			No Credit
015200.71.01	S-Print 150Q	\$166.15	\$60.00	\$106.15
015200.72.10	S-Print 153	\$138.92	\$60.00	\$78.92
015200.72.11	S-Print 163	\$138.92	\$60.00	\$78.92
015200.73.07	S-Print CPS	\$138.92	\$60.00	\$78.92
004519.76.01	S-Print 165/170	\$504.00	\$125.00	\$379.00
004519.34.00	S-Print 180	\$504.00	\$125.00	\$379.00
004531.73.00	Adapter Print	\$39.81		No Credit
030470.71.00	I/O Print 200	\$131.25	\$90.00	\$41.25
008832.79.00	L-Print 130-200	\$136.00	\$90.00	\$46.00
004452.71.00	1MB S-Print, replace with 2MB or 4MB			No Credit
015505.73.00	2MB S-Print	\$391.28	\$100.00	\$291.28
015505.75.01	4MB S-Print	\$529.20	\$100.00	\$429.20
023033.70.00	S-Print 56K EMB 200 only	\$161.00		No Credit
023033.73.00	S-Print 256K EMB 200/430/440/630/640/730	\$161.00	\$100.00	\$61.00

The electronic technicians at the factory that repair the boards need to know the malfunction of the board, along with the model and serial number for data tracking and quality control purposes. If this information does not accompany each returned board \$30 will be deducted from the full credit as listed above.

With each returned board you must include the form **Electronic Diagnosis Report** that contains the following information:

**Dealer Information**

**Model number**

**Serial number**

**Part number**

**Description of the fault**

The form can be downloaded from the Technical section of the Dealer website under Forms.

## TABLE OF MAIN/S-PRINTS FOR MODELS 125-730

The following chart will help to identify which board you need when ordering.

Note: You must check the configuration after replacing an S-print (see the chart below).

Model	Config.	Part Number
125/125S	1	015500.34.01
130 (Stitch Counter and Manual Buttonhole)	1	015200.71.02
131	2	015200.71.02
135PE	4	015500.34.01
140 (Stitch Counter and Manual Buttonhole)	2	015200.71.02
140P (Patchwork Edition)	2	015200.71.04
145	3	015500.34.01
150	3	015200.71.01
150Q (Quilters Edition)	3	015200.71.01
153	3	015200.72.10
155	N/A	015200.74.12
160	4	015200.71.01
160Plus	4	015200.71.01
161 (Home Art)	4	015200.71.01
160 (Plus CPS Serial Port on side)	4	015200.73.07
163	4	015200.72.11
165/170	165/170	004519.76.01
174 (165 Module 2MB)/175 (2MB)	N/A	015505.73.00
176 (4MB)	N/A	015505.75.01
177 (185 Module)	N/A	015505.75.02
180	180	004519.34.00
185	185	004519.77.03
200 (64mb - BSR compatible)*	200	031048.72.01
220	1	015500.74.04
230PE	4	015500.74.04
240	3	015500.74.04
275*	N/A	023033.70.00
430*	1	023042.73.00
440*	2	023042.73.00
430/440/630/640/730 Module*	N/A	023033.73.00
630*	N/A	031062.71.01
640*	N/A	031062.71.02
730*	N/A	031048.73.02
Circuit Board Packaging	N/A	004 876 5000

\*The board is equipped with an EEPROM that must remain with the machine. Please use appropriate tools when switching the EEPROM.

## 165/170/180 EMBROIDERY BOARD IDENTIFICATION

---

### Original S-print

Part # 004452.71.00

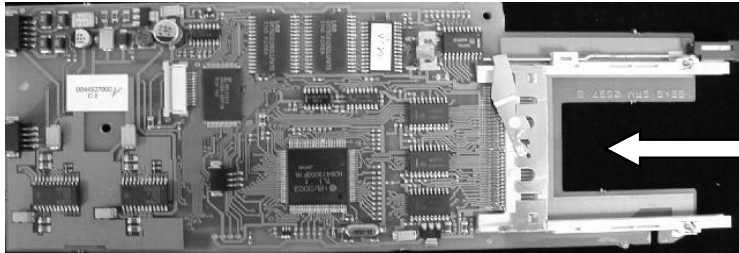
Features Collection 1 to 4

Software compatibility: 1.47, 2.0, 2.08, 3.0 and 3.01

Main physical difference: Missing metal plate (marked with white arrow)

**Has No Alphabets**

**NO LONGER AVAILABLE / NO CREDIT  
MUST PURCHASE 2MB OR 4MB**



### Memory Inside Edition 99 (2MB)

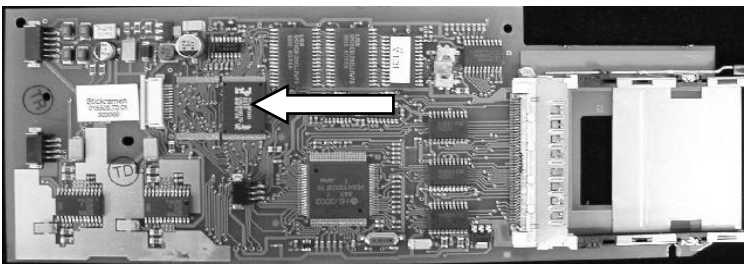
Part # 015505.73.00

Features Collection 5 and increased Memory for designs (2MB)

Software compatibility: 2.08, 3.0, 3.01 and 4.04

Main physical difference: One **Flash** chip (marked with one white **arrow**).

**Has 5 Alphabets**



### Memory Inside 4MB Edition

Part # 015505.75.01

Features Collection 6 and increased Memory for designs (4MB)

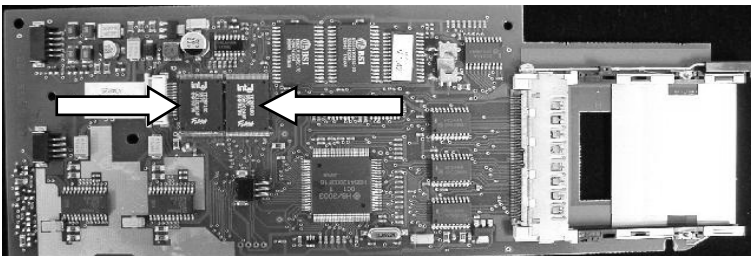
Software compatibility: 3.0, 3.01 and 4.04

Main physical differences: Two **Flash** chips (marked with two white **arrows**).

**Has 7 Alphabets**

Cost to update the S-Print from Edition 99(2MB) to 4MB Edition

**Dealer Cost: \$529.20 Credit on returned Edition 99 (2MB) print \$355.00 Total Cost: \$174.20**



## MACHINES THAT CAN BE USED WITH A TRANSFORMER

MODEL 910	MODEL 1130	MODEL 1090S
MODEL 930	MODEL 1130S	MODEL 1230
MODEL 1020	MODEL 1130LE	MODEL 1260
MODEL 1030	MODEL 1080	MODEL 1530
MODEL 1031	MODEL 1090	MODEL 1630
MODEL 1120	MODEL 1008 WITH NEW STYLE FOOT CONTROL	

ALL MODELS OF BERNINA/bernette OVERLOCKS  
ALL MODELS OF bernette SEWING MACHINES

OVERLOCKS AND bernette SEWING MACHINES MUST BE SPECIAL ORDERED IN 220V, WE ARE UNABLE TO CONVERT THEM.

WE HAVE LOCATED A COMPANY THAT SELLS THESE TRANSFORMERS AND THEY ARE AVAILABLE FROM:

**TODD SYSTEM**

**50 ASH STREET**

**YONKERS, NY 10701**

**TEL: (914) 963-3400**

**FAX: (914) 963-3506**

ASK FOR A SU-17 (STEP - UP TRANSFORMER). DATA: 230/115 VOLTS, 50/60HZ, 150 WATTS.

## MODELS THAT SHOULD NOT BE USED WITH A TRANSFORMER:

MODEL 1000	MODEL 1005	MODEL 1008 WITH 290 FOOT CONTROL
MODEL 1000S	MODEL 1006	
MODEL 1001	MODEL 1010	
MODEL 1004	MODEL 1011	

TO CONVERT THESE MACHINES FROM 110V - 220V OR VICE-VERSA, THE FOLLOWING PARTS MUST BE CHANGED:

MOTOR

POWER CORD

CIRCUIT BOARD IN FOOT CONTROL

SEWING LIGHT

<b>UPPER/LOWER SERGER KNIVES</b>		
<b>SERGER MODEL</b>	<b>UPPER KNIFE</b>	<b>LOWER KNIFE</b>
43/43D	NO LONGER AVAILABLE	502020.03.36
134/134D	NO LONGER AVAILABLE	NO LONGER AVAILABLE
203/204/234	502010.10.54	502010.10.65
334/334D/334DS/335/335S/003/004/004D/006D/007D/008D/700D/800D/2000 Series 2500 Series/1100D/1100DA/1150MDA/1300DC/1300MDC	502010.05.94	502010.05.95

<b>UPPER/LOWER SERGER LOOPERS</b>		
<b>SERGER MODEL</b>	<b>UPPER LOOPER</b>	<b>LOWER LOOPER</b>
43/43D	NO LONGER AVAILABLE	NO LONGER AVAILABLE
134/134D	NO LONGER AVAILABLE	NO LONGER AVAILABLE
203/234	502010.10.03	502010.10.19
204	NO LONGER AVAILABLE	NO LONGER AVAILABLE
334/334D/334DS/335/335S/003/004/004D/006D/007D/008D	502010.13.01	502010.21.01
700D/800D/800DL	502010.03.71	502010.21.01
2000 Series/2500 Series	502010.03.71	502010.04.06
1100D/1100DA/1150MDA/1300DC/1300MDC	502010.03.71	502010.15.69

<b>OVERLOCK STITCH PLATE PINS</b>		
<b>MODEL</b>	<b>ROLL HEM PIN</b>	<b>STITCH FORMING</b>
203/234/334/334D/334DS/335/335S/003/ 004/004D/006D/007D/008D/700D/800D/ 800DL/1100D/1100DA/1150MDA	502010.17.49	502010.00.43
1300DC/1300MDC/2000D/ 2000DE/2000DCE	502010.00.79	502010.00.43

<b>LIST OF BERNINA/bernette BOBBINS</b>		
<b>MODEL</b>	<b>BOBBIN #</b>	
50-75 bernette (10 pack)	502030.60.29	
100/200 bernette	NO LONGER AVAILABLE	
300/400 bernette	502020.12.18	
700 Series bernette	502020.00.95	
640/740/840/850/940/950/217 Series	330026.03.0+	
1000 (Plastic)	002378.53.00	
1001/1630/180/185/200/730/640/435	006026.52.00	
All Oscillating Bernina Models	001536.72.00	
500/600/650 Deco (10 pack)	502030.59.64	
330/340 Deco	502060.00.26	
55-90e bernette	502020.59.23	

<b>FUSES USED ON BERNINA SEWING MACHINES AND SERGERS</b>		
<b>MODEL</b>	<b>FUSE # ON L-BOARD (Value)</b>	<b>PART#</b>
910	S-97 (250MA)	000337.50.03
930	F-1 (250MA)	000337.50.03
1020/1030/1031	F-145 (1.6A)	000337.50.01
1020/1030/1031		000337.50.05
1020/1030/1031	F-146 (200MA)	000337.50.04
1120/1130	F-150 (1.6A)	000337.50.01
1120/1130	F-152 (200MA)	000337.50.04
1120/1130	F-151 (1.6A)	000337.50.01
1130LE/1130S/1230/1080/1080Q/1090/1090S/1090Q/ 1260/1530/1630	F-155 (1.6A)	000337.50.01
130-730	F-1 (4A)	030380.50.00
130-730	F-2 (3A)	030379.50.00
430/440/630/640	F-2 (3.15A)	FUSED
430/440/630/640	F-3 (4A)	030380.50.00
125/135/145	F-4 (5A)	HF002900500
2000-2500 Series Sergers	F-3 (5A)	HF002900500
2000-2500 Series Sergers	F-1 (1A)	HF002900100
1300DC/1300MDC/1150MDA	F-1 (2A-250V)	502010.65.73
1300DC/1300MDC/1150MDA	F-2 (2A-125V)	502010.65.72



<b>NEEDLE PLATES - STANDARD</b>		
830/930	327000.03.4+	
1000/1530	001633.72.01	
1630	006036.70.01	
130 - 170	007874.71.00	
180/185/200/730	007929.71.00	
125/135/145	030202.50.00	
210/220/230/240- aurora	031050.70.01	

<b>NEEDLE PLATES - 5.5MM SPECIALTY PLATES</b>		
1630	006216.70.01	
640	031045.70.01	
180/185/200/730	007933.72.00	

<b>NEEDLE PLATES - STRAIGHT STITCH</b>		
830/930	327001.03.1+	
1000/1530	006857.70.01	
1630	003098.70.01	
130 - 170	008380.72.00	
125/135/145	030372.50.00	
180/185/200/730	008865.72.00	
activa/aurora/630	031052.70.01	
640	031053.70.01	

<b>NEEDLE PLATES - PUNCH TOOL</b>		
Punch Tool Plate 153-170	007874.71.10	
Punch Tool Plate 125-145	030202.50.10	
Punch Tool Plate 210-240/aurora/630	031050.70.10	

<b>NEEDLE PLATES - SERGERS</b>		
004/006	502010.18.52	
008D	502010.00.36	
009D	502010.51.99	
203	502010.08.84	
204	502010.11.86	
234	502010.12.80	
334/D/DS	502010.17.12	
335/S	502010.64.82	
2000D/DE	502010.68.45	
2000DCE	502010.68.57	
800D/1100D/DA	502010.59.88	
1150MDA	502010.70.47	
2500DCE/DCET	502010.59.09	
1200DA	502010.66.28	
1300DC	502010.71.27	
1300MDC	502010.70.35	

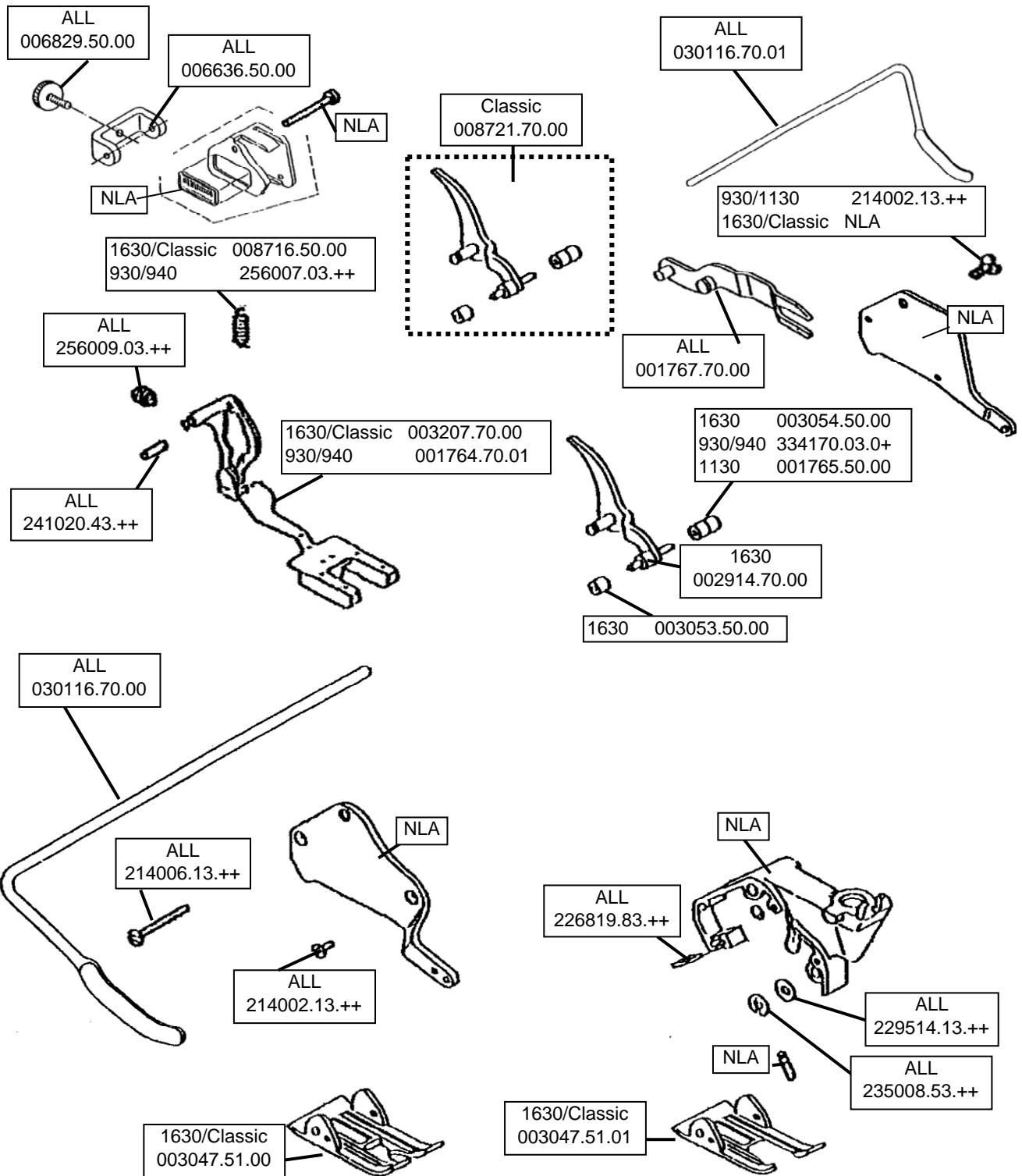
## LIGHT BULB CHART

MACHINE MODEL	PART NUMBER	DESCRIPTION
530, 730, 740	003168.70.00	Light Bulb 110V/15W 110V Medium Screw Base 1/2"
	502010.10.93	Light Bulb 110V 110V Large Screw Base 5/8"
801, 810, 830, 900, 910, 930	002636.71.00	Light Bulb 110V/15W 110V Large Bayonet Base
1000, 1000S, 1001 1004, 1005, 1006, 1008, 1010, 1011	002636.71.00	Light Bulb 110V/15W 110V Large Bayonet Base
	or 003168.70.00	Light Bulb 110V/15W 110V Medium Screw Base 1/2"
1020, 1030, 1031, 1080, 1080QE, 1090, 1090QE, 1120, 1130, 1130S, 1230, 1260, 1260QPE, 1530, 1630	000305.50.00	Light Bulb 6V/ 4W Small bayonet bulb looks like the 2000- 2500 Overlock Series bulb. However different voltages make them non-interchangeable.
Deco 500, 600, 650	502030.60.93	Light Bulb 8V pressure fit-in bulb with 2 small wires.
Bernette sewing machines 300/400 series	502010.10.93	Light Bulb 110V Large Screw Base 5/8"
Bernette sewing machines 705, 715, 720, 730, 740E	502020.07.50	Light Bulb 700 Series 110V small screw base 7/16"
Bernette 55, 65, 80e, 90e 56, 66, 82e	502020.58.77	Light Bulb 12V/5W
Deco 330-340	502060.01.40	Light Bulb 12V/5W Wedge Base Lamp
Overlocks 203, 204, 234, 334, 334DS, 335	502010.10.93	Light Bulb 110V Large screw base 5/8"
Funlocks 003, 004, 006, 007, 008, 009, includes all differential models. Bernina 1100D, 800DL, 009DCC	502010.20.15	Light Bulb 003/004 110V 110V small screw base 7/16"
Bernette 43, 43D	502020.07.50	Light Bulb 700 SERIES 120V 110V small screw base 7/16"

**LIGHT BULB CHART (CONTINUED)**

<b>MACHINE MODEL</b>	<b>PART NUMBER</b>	<b>DESCRIPTION</b>
Bernette 134, 134D	502040.02.86	Light Bulb 134D/134 110V small screw base 7/16"
Bernina 2000D, 2000DE, 2000DCE, 2500DCE, 2500DCET, 1100DA, 1200DA,	502010.05.45	Light Bulb 2000 D/DE 18V small bayonet, this bulb looks like the 1020-1630 sewing machine bulb. However, different voltages make them non-interchangeable.
1300DC, 1300MDC, Bernette 800D, 800DL 700D	502010.60.69	Light Bulb
125, 135, 145 220, 230PE, 240	007535.50.00 or 030753.70.00	Light Bulb 12V pressure fit-in bulb with 2 small wires.  CFL-Sewing Light Cpl.
Artista 730/200/185	004992.73.00 or 030343.75.00	CFL-Sewing Light Cpl.  CFL-Bulb & Board Only
130-180	007535.50.00 or 004992.72.00 or 030343.75.00	Light Bulb 12V pressure fit-in bulb with 2 small wires.  CFL-Sewing Light Cpl.  CFL-Bulb & Board Only
Aurora 430/440 Artista 630/640	030683.71.00	CFL-Sewing Light Cpl.

# WALKING FOOT EXPLODED PARTS LIST



## **BOBBIN MONITOR CHECK LIST**

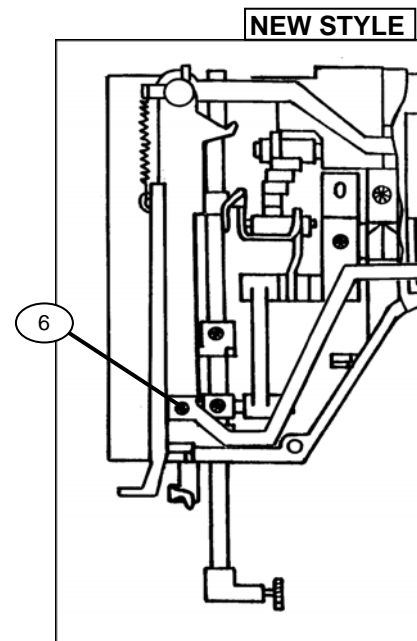
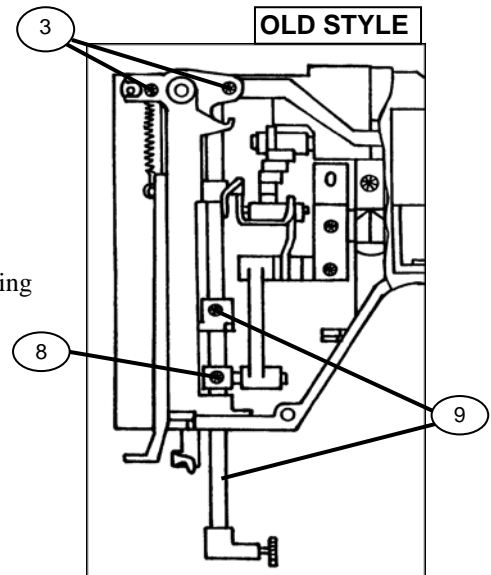
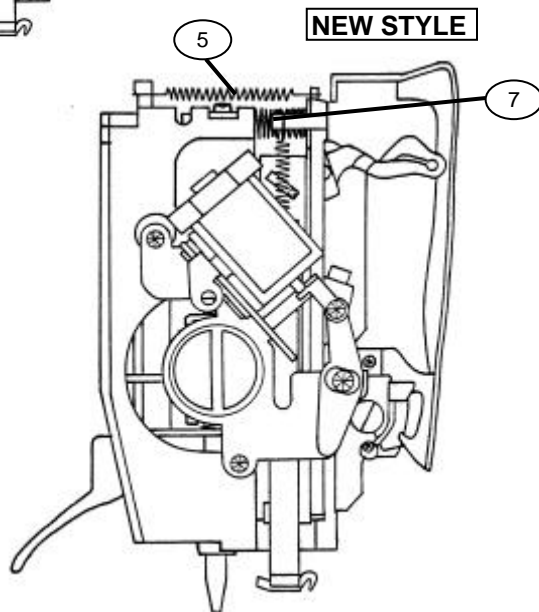
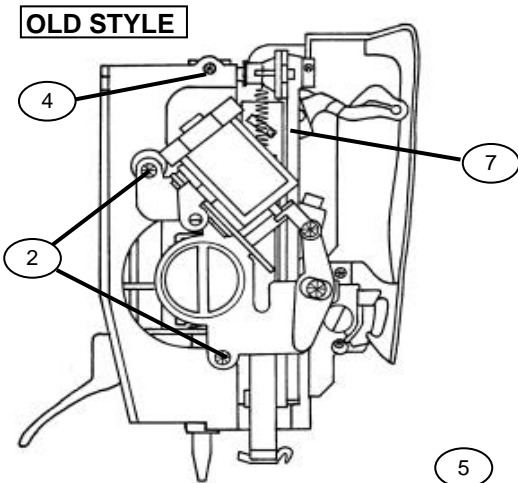
"Please clean bobbin area of lint or stray thread. If bobbin is empty, please rewind bobbin." If this message appears falsely, here are some things to check.

---

1. Check the version of the software; update the machine to latest version.
2. Make sure the right bobbin case is being used; remember the model 180 bobbin case is not compatible.
3. Quality Bernina bobbins must be used and must be in good shape. Bobbins that are bent, scratched, dented, or dull can not be used.
4. Pre-wound bobbins are not compatible with the bobbin monitor.
5. Make sure there is no lint behind the bobbin case spring washer, spring washer does not block the oval shaped hole of the bobbin case. The spring washer must also have appropriate tension if the washer is compressed completely flat it will not be giving the bobbin the proper amount of tension.
6. If the machine is running without upper thread, the message will come on because the bobbin is not in motion.
7. Make sure the bobbin is correctly inserted into the bobbin case and is rotating in a clockwise motion.
8. When winding the bobbin, do not put the thread through the holes on the bobbin. Simply wind a few revolutions onto the bobbin and then cut the tail of the thread using the cutter so the tail is not too long.
9. Make sure the bobbin case door is correctly attached. (Make sure the black tab on the bobbin monitor is on top of the shaft that the bobbin door is attached to.)
10. Make sure the free arm cover is correctly attached. (Make sure screw is in correctly and screw hole on free arm cover is not cracked or damaged.)
11. Make sure the bobbin case door is closed properly.
12. Check the version of the bobbin monitor. The New style (part # 030861.71.00) has two dots of green paint on the potentiometers. (Old style has two dots of red paint on the potentiometers.)
13. Remove the front cover and disconnect the bobbin monitor cable from the I/O-print. Reconnect the cable and check the function of the monitor again. (There might be a connection problem with plug and socket.)
14. Check the Bobbin monitor cable for any signs of damage. (Crushed, exposed wire)
15. A dull cutting blade, bad thread clamping solenoid, or misaligned bobbin stopper may affect the length of the bobbin thread being cut and the bobbin may not start turning fast enough causing the sensor to activate. Locate fault of improper thread length and fix the problem.
16. Extremely loose upper tension settings
17. Strong lighting in front of the bobbin area

## NEEDLE THREADER INSTALLATION

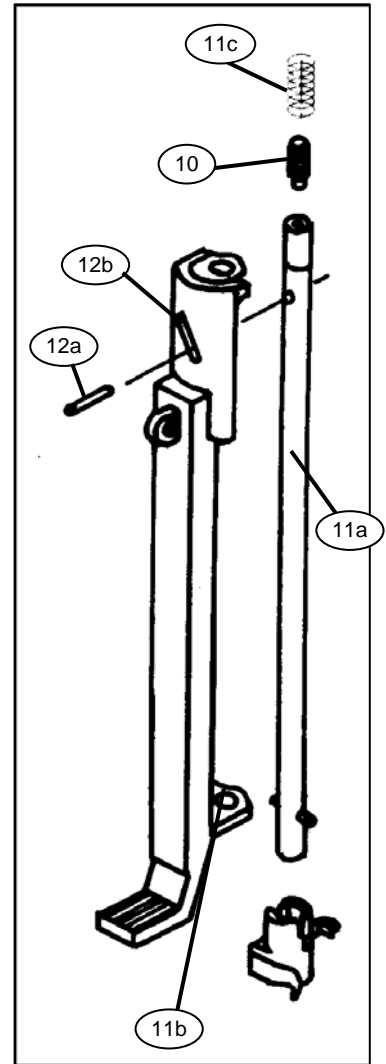
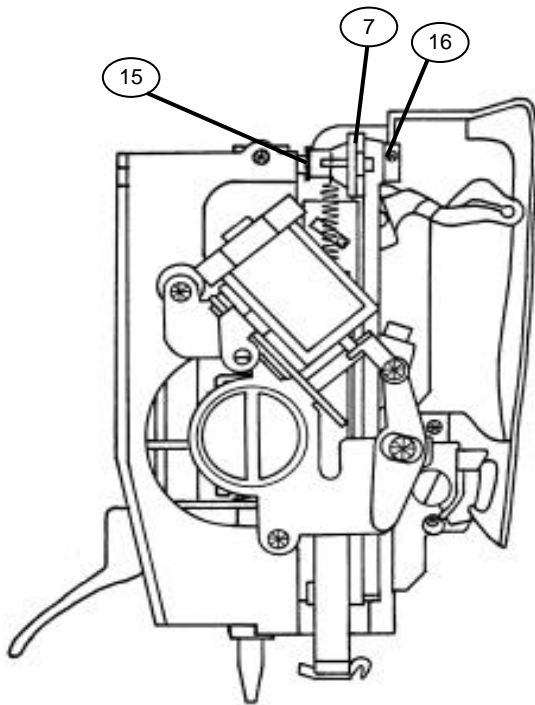
1. Remove the light and the top cover.
2. Remove the two screws and the adjustable presser foot pressure unit and swing it to the rear. Be careful not to lose the spring and support.
3. **Old Style:** - Remove the two screws with washer.
4. - Loosen the securing screw for the needle bar support shaft.
5. **New Style:** - Remove the pull spring.
6. - Remove the setscrew with washer.
7. Swing the needle bar support to the left and remove the unit on top by pulling it straight out.
8. Loosen the needle/take up lever connection.
9. Slide the needle bar out until the positioning block can be installed above the needle/take up lever connection 8. Make sure the screw of the positioning block is facing straight forward.



CONTINUED ON NEXT PAGE

## NEEDLE THREADER INSTALLATION (cont.)

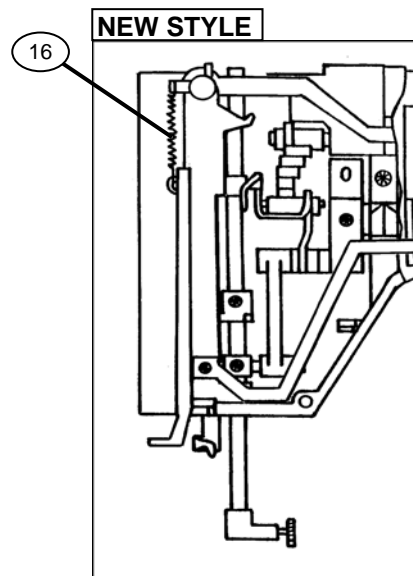
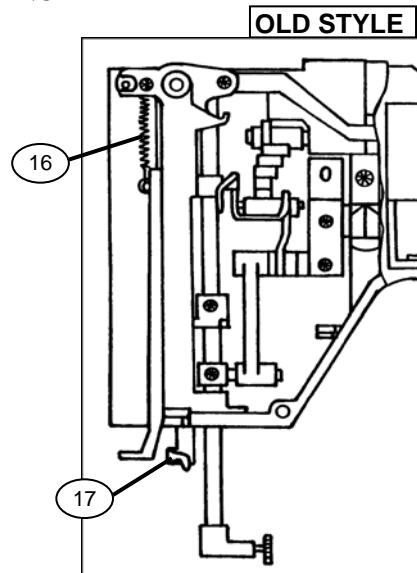
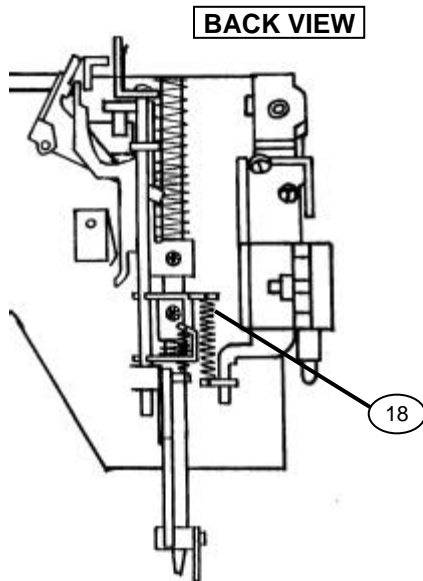
10. Turn the screw into the threader bar.
11. Insert the threader bar 11a through the bottom hole on the needle threader 11b.  
Continue sliding the threader bar 11a up through the needle bar support 7 and install the spring 11c before the end of the threader bar reaches the top hole of the needle threader 11b.
12. Compress spring 11c at the top of the threader bar 11a. While holding the spring compressed, insert pin 12a through slot 12b and slide it through the threader bar 11a until it extends 1mm on the other side of the threader bar 11a.
13. Tighten the threader bar screw 10.
14. Mount the entire needle bar support in reverse order.
15. **Old Style:** - Ensure that the needle bar support 7 has no play between the C-clip 15 and setting collar 16.  
If play exists, adjust the setting collar 16.



CONTINUED ON NEXT PAGE

## NEEDLE THREADER INSTALLATION (cont.)

16. Attach the spring for the needle threader.
17. Attach the threader head.
18. Mount the presser foot pressure unit making sure the pressure regulating spring is attached.
19. Perform the following adjustment in the **MODEL 130-160 SERVICE MANUAL**
20. Hook/needle clearance. Page 12
21. Needle position of the zig zag. Page 13
22. Needle height. Page 18
23. Automatic needle threader Page 19



### PARTS FOR NEEDLE THREADER COMPLETE

- 007531.52.00 - SPRING (16)
- 007586.52.00 - NEEDLE THREADER (11b)
- 007563.73.00 - THREADER BLOCK (9)
- 007596.50.00 - SPRING (11c)
- 007574.72.00 - THREADER BAR (11a)
- 032330.70.00 - THREADER HEAD (17)
- 201501.13.++ - SCREW (10)
- 241056.43.++ - PIN (12a)



Dealer Number: _____	Date: _____
Dealer Address: _____	_____
_____	_____
_____	_____
Model # (I.e. 1630): _____	
Serial # (I.e. 389.054.21): _____	
Part #. (I.e. 000.321.5104): _____	

X if applicable

035	<input type="checkbox"/>	Transport damage	Transportschaden
121	<input type="checkbox"/>	No power	Kein Strom
125	<input type="checkbox"/>	Sewing light defect	Nählicht defekt
138	<input type="checkbox"/>	Background light	Hinterleuchtung
327	<input type="checkbox"/>	Basting defective	Heftmatik defekt
425	<input type="checkbox"/>	Needle position	Nadelposition
435	<input type="checkbox"/>	Button defect	Tastatur defekt
436	<input type="checkbox"/>	RET-Button	RET-Taste
441	<input type="checkbox"/>	Speed cannot be regulated	Drehzahl lässt sich nicht abgleichen
455	<input type="checkbox"/>	Touch screen can't be calibrated	Touchscreen nicht kalibrierbar
457	<input type="checkbox"/>	SL/SB indicator defect	Anzeige SL/SB defekt
460	<input type="checkbox"/>	Step motor SL	Schrittmotor SL
465	<input type="checkbox"/>	Step motor SB	Schrittmotor SB
470	<input type="checkbox"/>	Step motor SM	Schrittmotor SM
475	<input type="checkbox"/>	Step motor Tension	Schrittmotor Span.
482	<input type="checkbox"/>	Motor doesn't turn	Motor dreht nicht
484	<input type="checkbox"/>	Motor stops after ca.....min.	Motor stellt nach ca.....Min. ab
487	<input type="checkbox"/>	Bobbin winder	Spulermotor
490	<input type="checkbox"/>	Upper thread sens.	Oberfaden Sens.
495	<input type="checkbox"/>	Lower thread sens.	Unterfaden Sens.
521	<input type="checkbox"/>	Display defect	Display defekt
531	<input type="checkbox"/>	Foot control	Fussanlasser
532	<input type="checkbox"/>	EMB no recognition	ASM* nicht erkannt
533	<input type="checkbox"/>	Buzzer function	Piepser funktion
536	<input type="checkbox"/>	Serial port doesn't function	Serielle Schnittst. funktioniert nicht
539	<input type="checkbox"/>	Buttonhole defect	Knopfloch defekt
1121	<input type="checkbox"/>	Can't read card	Liest Karte nicht
1122	<input type="checkbox"/>	Interruption during embroidery	Stickvorgang wird unterbrochen

**Remarks:**

\_\_\_\_\_

\_\_\_\_\_

\_\_\_\_\_

\_\_\_\_\_

\_\_\_\_\_

\_\_\_\_\_

<b>BERNINA of America, Inc Technical Service Request Form</b>	<b>Ship Data:</b>	<b>Service Order #</b>
---	-------------------	------------------------

Client #	Technician Contact Name:
Store Name	Phone:
Address	Consumers Name:
City / State	Consumers Address:
Zip	
<b>Call if estimate exceeds \$</b>	

Model#	Serial#	Data Sold	Remarks (Please note if this is box one of two)

<b>Problem / Description of malfunction or service request</b>

To Be Filled Out By Dealer

<b>Accessories Included</b> (BoA is not responsible for accessories not listed below)	
<input type="checkbox"/> Foot Control	<input type="checkbox"/> Auto – Buttonhole
<input type="checkbox"/> Power Cord	<input type="checkbox"/> Additional Presser Feet: _____
<input type="checkbox"/> Bobbin case	<input type="checkbox"/> Other: _____

<b>Return Procedures:</b>
1. Return Goods in original packing only.
2. Complete the top half of this form and include with goods being shipped to BoA.
3. Fill out REPAIR STICKER (available on website) and affix to the outside of the shipping carton.

<b>Important: Bernina of America, Inc. assumes no liability for improperly packed goods.</b>
--

FOR BERNINA OFFICE USE ONLY

Warranty Parts #	BoA	FGAG	Charged Parts #	Quantity	Estimate:
					<b>Approved By:</b>
					<b>Labor:</b>
					<b>Warranty Labor:</b>
					<b>Technician #</b>
					<b>Miscellaneous:</b>

Date Received	Date Repaired	Code 1	Code 2	Code 3	Code 4	Hours	Software Version	Stitch Count	Rating

<b>Technician's Note:</b>